

Mini slides EGSC-BS

FESTO



Key features

At a glance



- Four very compact sizes for precision positioning at speeds of up to 600 mm/s and a max. length of 200 mm
- Recirculating ball bearing guide for yoke slide with high load bearing capacity
- Integrated coupling for a compact design
- Very high-quality ball screw with low internal friction
- Rigid, high load-bearing and precise linear guide for absorbing lateral forces and for increased protection against rotation
- Ring magnet for position sensing. For simple and low-cost position sensing
- Suitable for the production of lithium-ion batteries

Compact

Optimum dimensions thanks to the integrated compact coupling and a very short slide

Flexible

Adapterless combination of ELGC and EGSC using the innovative "one size down" assembly system

Integrated

Simple position sensing with proximity switch SMT-8M and integrated positioning magnet

Protected

The optional sealing air connection protects against particles penetrating or being emitted.

Modular and flexible with motor, motor mounting kit and servo drive

Motor

Servo motor



Stepper motor

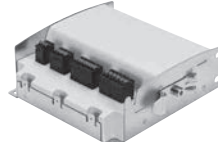


Servo drive

Servo drive



Motor controller for stepper motor

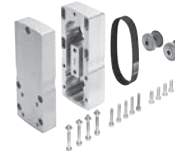


Motor mounting kit

Axial kit

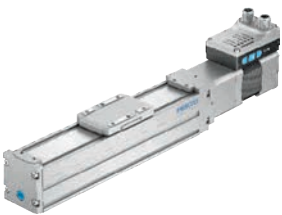


Parallel kit



Simplicity in one unit

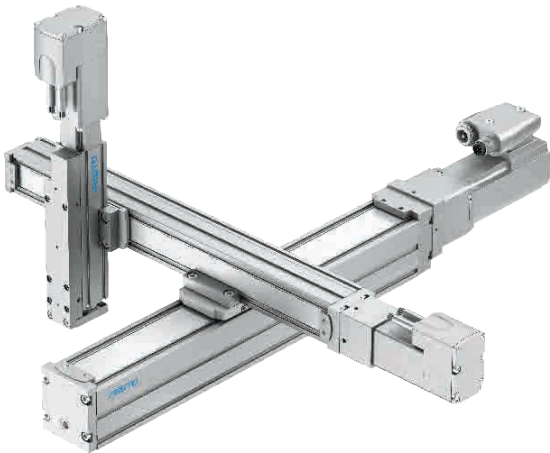
This product is also available as a product unit as part of the Simplified Motion Series:



- The Simplified Motion Series combines the simplicity of pneumatics with the benefits of electric automation. The perfect solution for all users who are looking for an electric alternative for very simple movement and positioning tasks, but don't want the commissioning process for traditional electric drive systems that can often be quite complex.
- Simplified functionality for simple movements between two end positions
- A variety of movements with different mechanical systems
- Integrated products eliminate the need for a control cabinet
- Quick and easy commissioning without software and special expertise
- Digital I/O and IO-Link integrated as standard

Key features

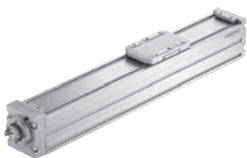
From the individual axis to the complete handling system



- The toothed belt and spindle axes ELGC and the mini slides EGSC form a scalable modular system for compact automation
- The shared platform architecture creates a consistent range with matching interfaces. A large number of systems can be realised entirely without adapter plates
- Powerful drive and guide components ensure a long service life, as well as excellent load capacity and reliability
- The uniform and universal range of accessories reduces warehousing and design costs
- Two position sensing functions can be selected:
 - With magneto-resistive proximity switches (detection via integrated magnets)
 - With inductive proximity switches (detection via switch lug)

The products for the handling system

Spindle axis
ELGC-BS



Toothed belt axis
ELGC-TB



Guide axis
ELFC



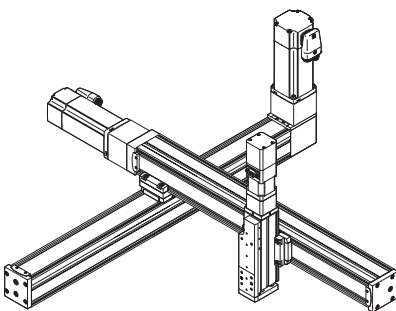
Mini slide
EGSC



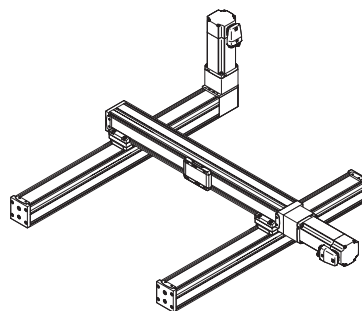
Typical handling systems

For applications where compact dimensions are essential, the axes ELGC can be combined into very space-saving handling systems that are suitable for assembly systems, test and inspection systems, small parts handling, the electronics industry and desktop applications. Combining the very compact linear axes ELGC, Mini slides EGSC and electric cylinder EPCC offers an optimum ratio of installation space to working space. These feature a common system approach and platform architecture and the connections are largely adapterless.

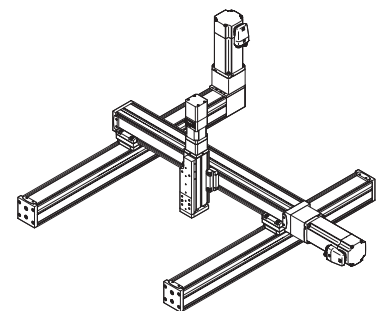
Cantilever system



Planar surface gantry



Three-dimensional gantry



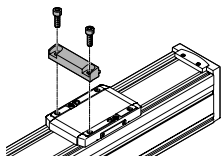
Key features

Combination matrix between axis ELGC/ELGS-TB, ELGC/ELGS-BS, Mini slides EGSC/EGSS-BS, electric cylinder EPCC/EPCS-BS and guide axis ELFC

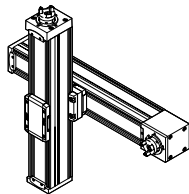
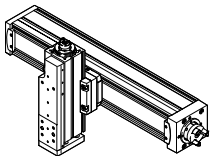
Mounting options with profile mounting and with angle kit

	Size	Assembly axis ELGC-BS/-TB; ELFC; EGSC-BS; EPCC-BS; ELGS-BS/-TB; EGSS-BS, EPCS-BS			
		25	32	45	60
Base axis ELGC-BS/-TB; ELFC; ELGS-BS/-TB	32	■	–	–	–
	45	–	■	–	–
	60	–	–	■	–
	80	–	–	–	■

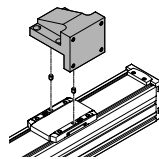
With profile mounting EAHF-L2-...-P-D...



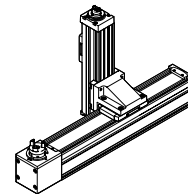
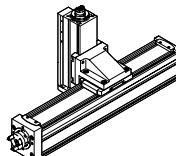
- Mounting option: base axis with one-size-down assembly axis



With angle kit EHAA-D-L2-...-AP



- Mounting option: base axis rotated through 90° with one-size-down assembly axis



Combination matrix between axis ELGC/ELGS-TB, ELGC/ELGS-BS, Mini slides EGSC/EGSS-BS, electric cylinder EPCC/EPCS-BS and guide axis ELFC

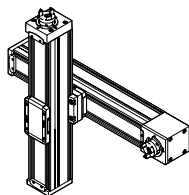
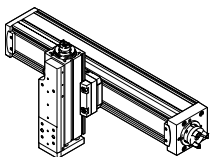
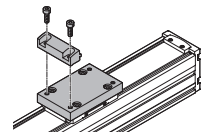
Mounting options with adapter kit or direct fastening

	Size	Assembly axis ELGC-BS/-TB; ELFC; EGSC-BS; EPCC-BS; ELGS-BS/-TB; EGSS-BS, EPCS-BS				
		25	32	45	60	80
Base axis ELGC-BS/-TB; ELFC; ELGS-BS/-TB	32	■	–	–	–	–
	45	–	■	–	–	–
	60	–	–	■	–	–
	80	–	–	–	■	–

	Size	Assembly axis EGSC-BS; EGSS-BS			
		25	32	45	60
Base axis EGSC-BS; EGSS-BS	25	■	–	–	–
	32	–	■	–	–
	45	–	–	■	–
	60	–	–	–	■

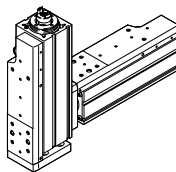
With adapter kit EHAA-D-L2

- Mounting option: base axis with the same size assembly axis
- Mounting option: base axis with height compensation for one-size-down assembly axis
- When motors are mounted using parallel kits, this may lead to interfering contours. In this case, the adapter plate is required for height compensation



With direct mounting

- Mounting option: base axis with the same size assembly axis



Type codes

001	Series
EGSC	Mini slide

002	Drive system
BS	Ball screw drive

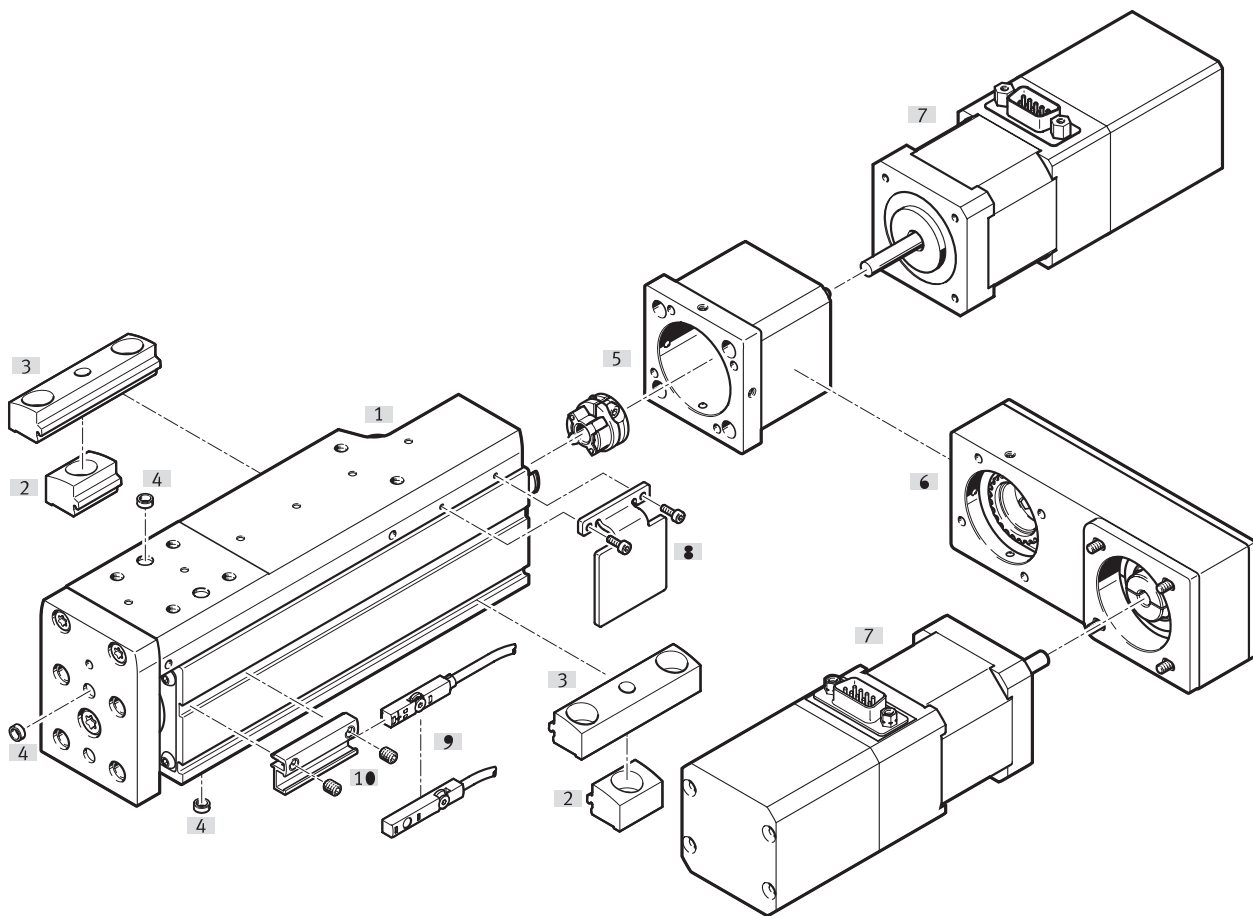
003	Guide
KF	Recirculating ball bearing guide

004	Size
25	25
32	32
45	45
60	60

005	Stroke [mm]
25	25
50	50
75	75
100	100
125	125
150	150
200	200

006	Spindle pitch
2P	2 mm
3P	3 mm
5P	5 mm
6P	6 mm
8P	8 mm
10P	10 mm
12P	12 mm

Peripherals overview



Sealing air connection



Air is exchanged between the interior of the cylinder and the environment via a sealing air connection. This prevents negative pressure or overpressure from building up inside the cylinder.

Additional functions of the connection:

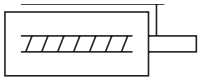
- Application of slight negative pressure prevents particles being emitted
- Application of slight overpressure prevents particles penetrating



Suitable push-in fittings → page 26

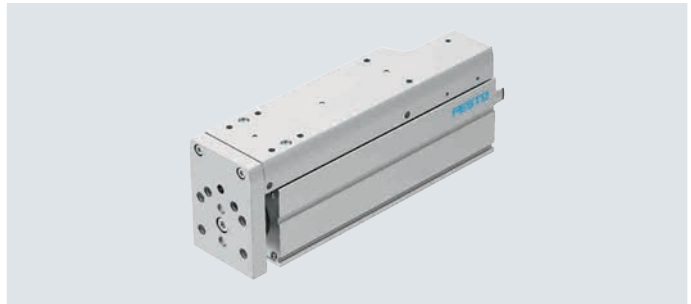
Peripherals overview

Accessories			
	Type/order code	Description	→ Page/Internet
[1]	Mini slide EGSC-BS	With ball screw and recirculating ball bearing guide	8
[2]	Profile mounting EAHF-L2-...-PS	For mounting the axis on the side of the profile	23
[3]	Profile mounting EAHF-L2-...-P	For mounting the axis on the side of the profile. The profile mounting can be attached to the mounting surface using the drilled hole in the centre	24
[4]	Centring pin/sleeve ZBS, ZBH	For centring loads and attachments	26
[5]	Axial kit EAMM-A	For axial motor mounting	21
[6]	Parallel kit EAMM-U	For parallel motor mounting	22
[7]	Motors EMME-AS, EMMS-ST	Motors specially matched to the axis, with or without brake	21
[8]	Switch lug EAPM-...-SLS	For sensing the slide position in conjunction with inductive proximity switches SIES-8M	25
[9]	Proximity switch SIES-8M	Inductive proximity switches, for T-slot	26
	Proximity switch SMT-8M	Magnetic proximity switches, for T-slot	26
[10]	Sensor bracket EAPM-L2	For mounting the proximity switches on the axis. The proximity switches can only be mounted using the sensor bracket	25

Datasheet



-  - Size
25 ... 60
-  - Stroke length
25 ... 200 mm



General technical data

Size	25		32		45		60	
Spindle pitch [mm/rev]	2	6	3	8	3	10	5	12
Design	Electric mini slide with ball screw drive							
Guide	Recirculating ball bearing guide							
Mounting position	Any							
Working stroke [mm]	25, 50, 75		25, 50, 75, 100		25, 50, 75, 100, 125, 150		50, 75, 100, 125, 150, 200	
Guide value for payload [kg]	2		6		12		25	
Max. feed force F_x [N]	20		60		120		250	
No-load driving torque at [Nm]	0.0053	0.015	0.013	0.025	0.0153	0.030	0.0317	0.04
Low travel speed [m/s]	0.013	0.04	0.019	0.06	0.018	0.07	0.025	0.06
No-load driving torque at [Nm]	0.015	0.029	0.044	0.042	0.059	0.1	0.125	0.306
Max. travel speed [m/s]	0.133	0.4	0.188	0.5	0.18	0.6	0.25	0.6
Max. radial force ¹⁾ [N]	30		75		180		230	
Max. rotational speed [rpm]	4000		3750		3600		3000	
Max. acceleration [m/s ²]	5	15	5	15	5	15	5	15
Repetition accuracy [mm]	±0.015							
Reversing backlash [mm]	≤ 0.15							
Position sensing	Magneto-resistive, inductive							

1) At the drive shaft

Operating and environmental conditions

Size	25		32		45		60	
Ambient temperature ¹⁾ [°C]	0 ... +50							
Degree of protection	IP40							
Duty cycle [%]	100							
Cleanroom class	Class 9 according to ISO 14644-1							
Maintenance interval	Lifetime lubrication							

1) Note operating range of proximity switches

Datasheet

Weights [g]									
Size	25			32			45		60
Basic weight with 0 mm stroke	176			331			608		1555
Additional weight per 10 mm stroke	19			30			63		95
Moving mass with 0 mm stroke	83			149			212		675
Additional mass per 10 mm stroke	9			12			30		40

Spindle									
Size	25			32			45		60
Diameter [mm]	6			8			10		12
Pitch [mm/rev]	2	6	3	8	3	10	5	12	

Mass moment of inertia									
Size	25			32			45		60
Spindle pitch [mm/rev]	2	6	3	8	3	10	5	12	
J_0 [kg cm ²]	0.0009	0.0014	0.0039	0.0067	0.0105	0.0136	0.0662	0.0839	
J_H per metre stroke [kg cm ² /m]	0.0053	0.0151	0.0249	0.0448	0.0492	0.1361	0.1154	0.2708	
J_L per kg payload [kg cm ² /kg]	0.0010	0.0091	0.0023	0.0162	0.0028	0.0253	0.0063	0.0365	

The mass moment of inertia J_{act} of the mini slide is calculated as follows:

$$J_{act} = J_0 + J_H / 1000 \text{ mm} \times \text{working stroke}$$

Homing

Homing can be carried out in two ways:

- Against a fixed stop
- Using a reference switch

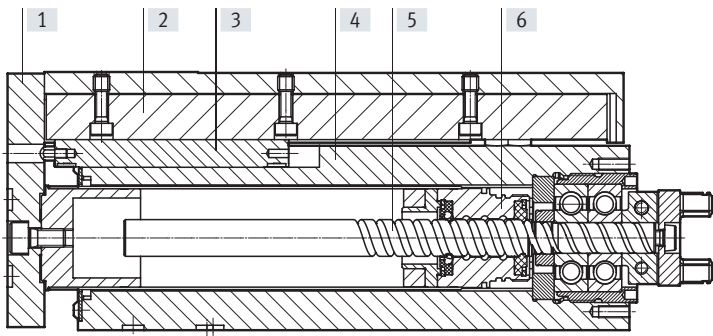
The following values must be observed:

Size	25			32			45		60
Max. impact energy [J]	0.005x10 ⁻³			0.009x10 ⁻³			0.014x10 ⁻³		0.044x10 ⁻³
Max. homing speed [m/s]	0.01								

Datasheet

Materials

Sectional view

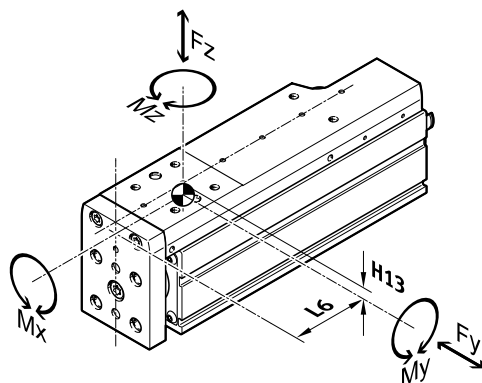


Axis		
[1]	Yoke plate	Anodised wrought aluminium alloy
[2]	Slide	Anodised wrought aluminium alloy
[3]	Guide rail	Rolling bearing steel
[4]	Housing	Anodised wrought aluminium alloy
[5]	Spindle	Rolling bearing steel
[6]	Spindle nut	Rolling bearing steel
	Note on materials	RoHS-compliant
	PWIS conformity	VDMA24364 zone III
	Suitable for the production of lithium-ion batteries	Metals with more than 1% copper, zinc or nickel by mass are excluded from use. Exceptions are nickel in steel, chemically nickel-plated surfaces, printed circuit boards, cables, electrical plug connectors and coils

Datasheet

Dynamic characteristic load values

The indicated forces and torques refer to the centre of the guide.
 These values must not be exceeded during dynamic operation.



Distance from the centre of the guide		25	32	45	60
Size					
Dimension H13	[mm]	7.3	7.9	10.2	15.9
Dimension L6 ¹⁾	[mm]	25.1	31.8	37.3	53.4

1) The dimension relates to the retracted position of the slide. In the advanced position, the dimension must be extended accordingly.

Max. permissible forces and torques for the guide calculation, for a service life of 5 x 10 ⁶ cycles and max. stroke		25	32	45	60
Size					
F _y max.	[N]	669	991	1314	4937
F _z max.	[N]	669	991	1314	4937
M _x max.	[Nm]	2.0	3.4	8.1	20
M _y max.	[Nm]	2.1	3.2	7	30
M _z max.	[Nm]	2.1	3.2	7	30

Note

For a guide system to have a service life of 5x 10⁶ cycles, the load comparison factor must have a value of $f_v \leq 1$, based on the maximum permissible forces and torques for a service life of 5x 10⁶ cycles.

This formula can be used to calculate a guide value.

The engineering software "Electric Motion Sizing" is available for more precise calculations → www.festo.com/x/electric-motion-sizing

If the axis is subjected to two or more of the indicated forces and torques simultaneously, the following equation must be satisfied in addition to the indicated maximum loads:

$$f_v = \frac{|F_{y1}|}{F_{y2}} + \frac{|F_{z1}|}{F_{z2}} + \frac{|M_{x1}|}{M_{x2}} + \frac{|M_{y1}|}{M_{y2}} + \frac{|M_{z1}|}{M_{z2}} \leq 1$$

F₁/M₁ = dynamic value

F₂/M₂ = maximum value

Datasheet

Calculating the service life

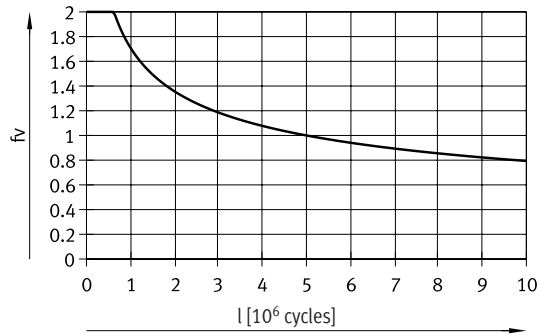
The service life of the guide depends on the load. To be able to make a statement as to the service life of the guide, the graph below plots the load comparison factor f_v against the service life.

These values are only theoretical. You must consult your local Festo contact for a load comparison factor f_v greater than 1.

Load comparison factor f_v as a function of service life l

Example:

A user wants to move an x kg load. Using the formula (→ page 11) gives a value of 1.5 for the load comparison factor f_v . According to the graph, the guide has a service life of approx. 1.5×10^6 cycles. Reducing the acceleration reduces the M_y and M_z values. A load comparison factor f_v of 1 now gives a service life of 5×10^6 cycles.



Comparison of the characteristic load values for 5×10^6 cycles with dynamic forces and torques of recirculating ball bearing guides

The characteristic load values of the bearing guides are standardised to ISO and JIS using dynamic and static forces and torques. These forces and torques are based on an expected service life of the guide system of 100 km to ISO or 50 km to JIS.

As the characteristic load values are dependent on the service life, the maximum permissible forces and torques for a 5000 km service life cannot be compared with the dynamic forces and torques of bearing guides to ISO/JIS.

To make it easier to compare the guide capacity of mini slides EGSC with roller guides, the table below lists the theoretically permissible forces and torques for a calculated service life of 100 km. This corresponds to the dynamic forces and torques to ISO.

These 100 km values have been calculated mathematically and are only to be used for comparing with dynamic forces and torques to ISO. The drives must not be loaded with these characteristic values as this could damage the axes.

Max. permissible forces and torques for a theoretical service life of 100 km (from a guide perspective only)

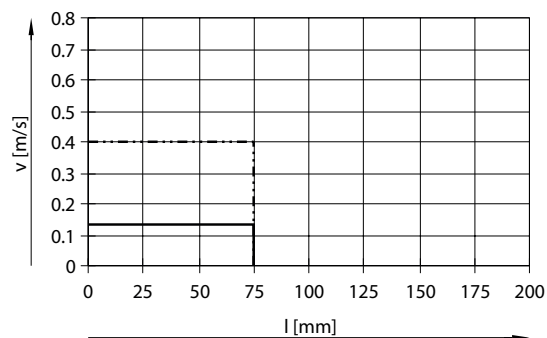
Application: mass m on the slide

Size		25	32	45	60
$F_{y_{max}}$	[N]	1310	2135	3240	13400
$F_{z_{max}}$	[N]	1310	2135	3240	13400
$M_{x_{max}}$	[Nm]	5	10	20	107
$M_{y_{max}}$	[Nm]	4	7	17	117
$M_{z_{max}}$	[Nm]	4	7	17	117

Datasheet

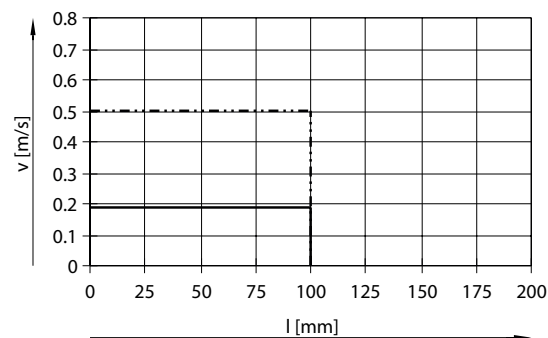
Speed v as a function of stroke l

Size 25



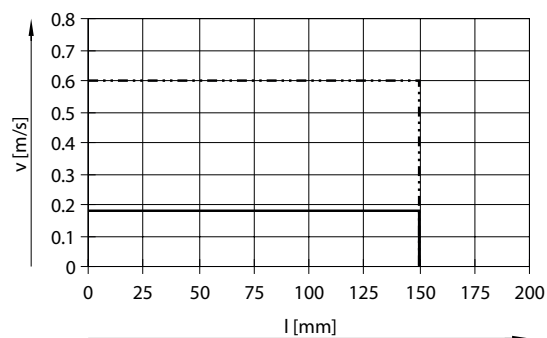
- EGSC-BS-KF-25-2P
- · - · - · EGSC-BS-KF-25-6P

Size 32



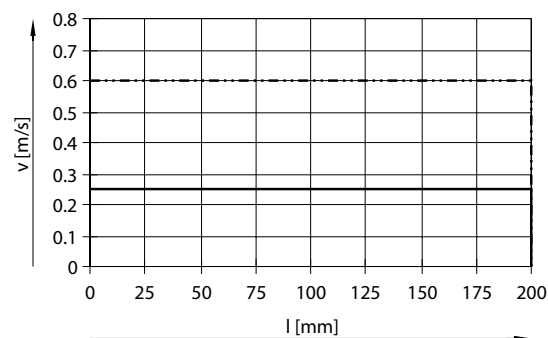
- EGSC-BS-KF-32-3P
- · - · - · EGSC-BS-KF-32-8P

Size 45



- EGSC-BS-KF-45-3P
- · - · - · EGSC-BS-KF-45-10P

Size 60

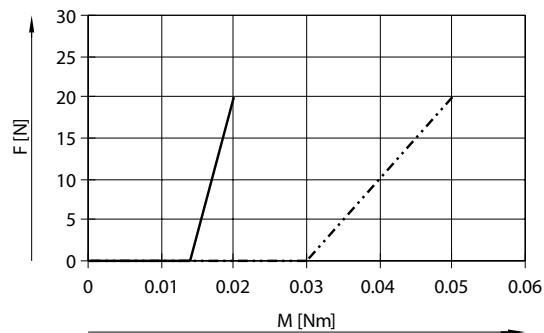


- EGSC-BS-KF-60-5P
- · - · - · EGSC-BS-KF-60-12P

Datasheet

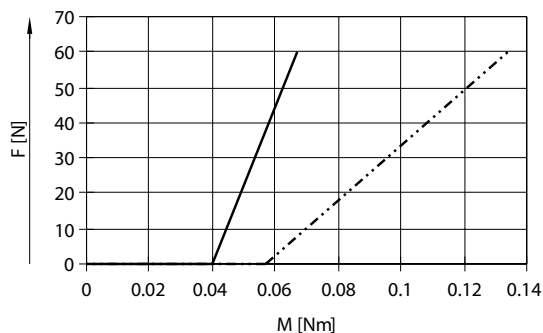
Feed force F as a function of input torque M

Size 25



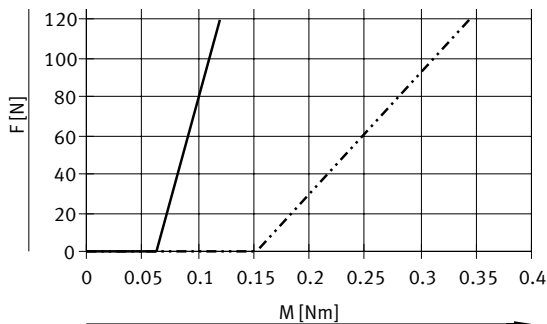
- EGSC-BS-KF-25-2P
- · - · - EGSC-BS-KF-25-6P

Size 32



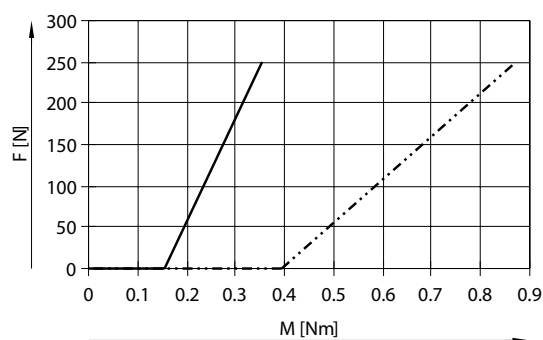
- EGSC-BS-KF-32-3P
- · - · - EGSC-BS-KF-32-8P

Size 45



- EGSC-BS-KF-45-3P
- · - · - EGSC-BS-KF-45-10P

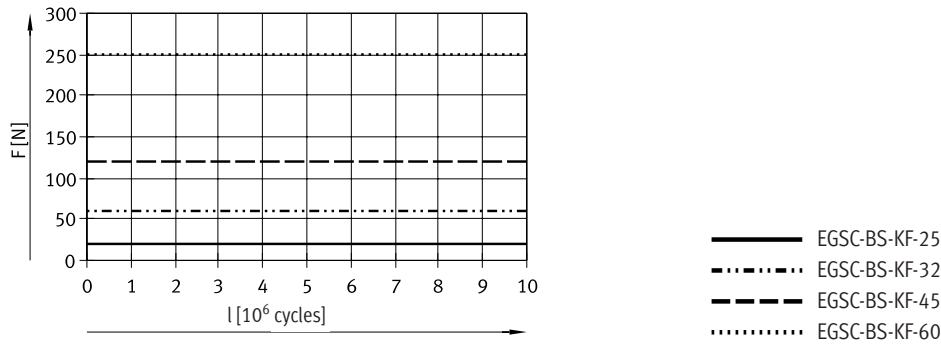
Size 60



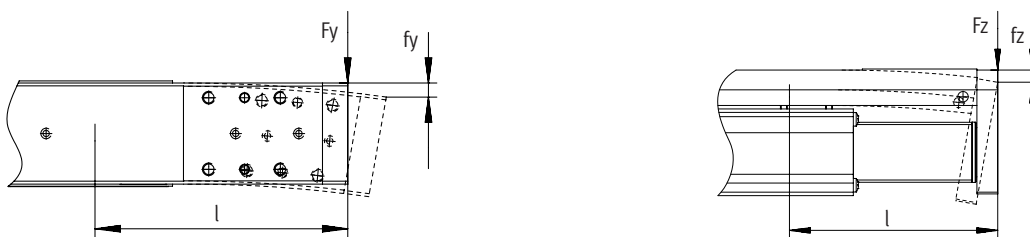
- EGSC-BS-KF-60-5P
- · - · - EGSC-BS-KF-60-12P

Datasheet

Feed force F as a function of service life l



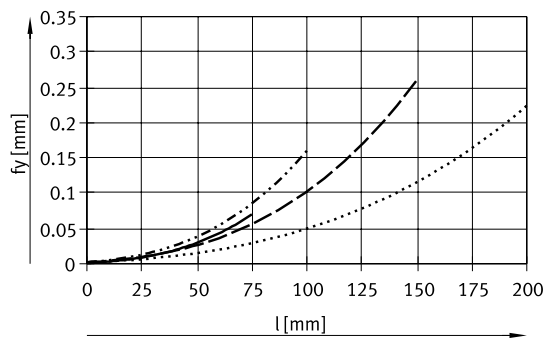
Deflection f of the guide rail as a function of stroke l



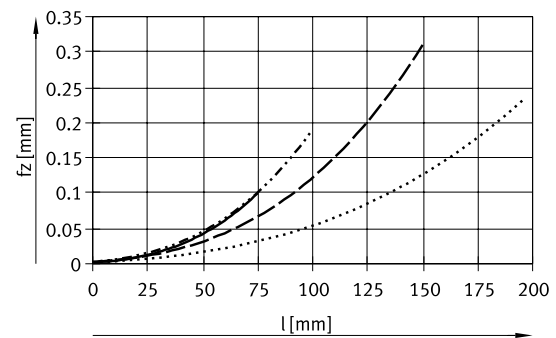
F_y/F_z at which the characteristic curves were determined

EGSC-BS-KF-25: 10 N EGSC-BS-KF-45: 40 N
 EGSC-BS-KF-32: 20 N EGSC-BS-KF-60: 60 N

Deflection f_y



Deflection f_z



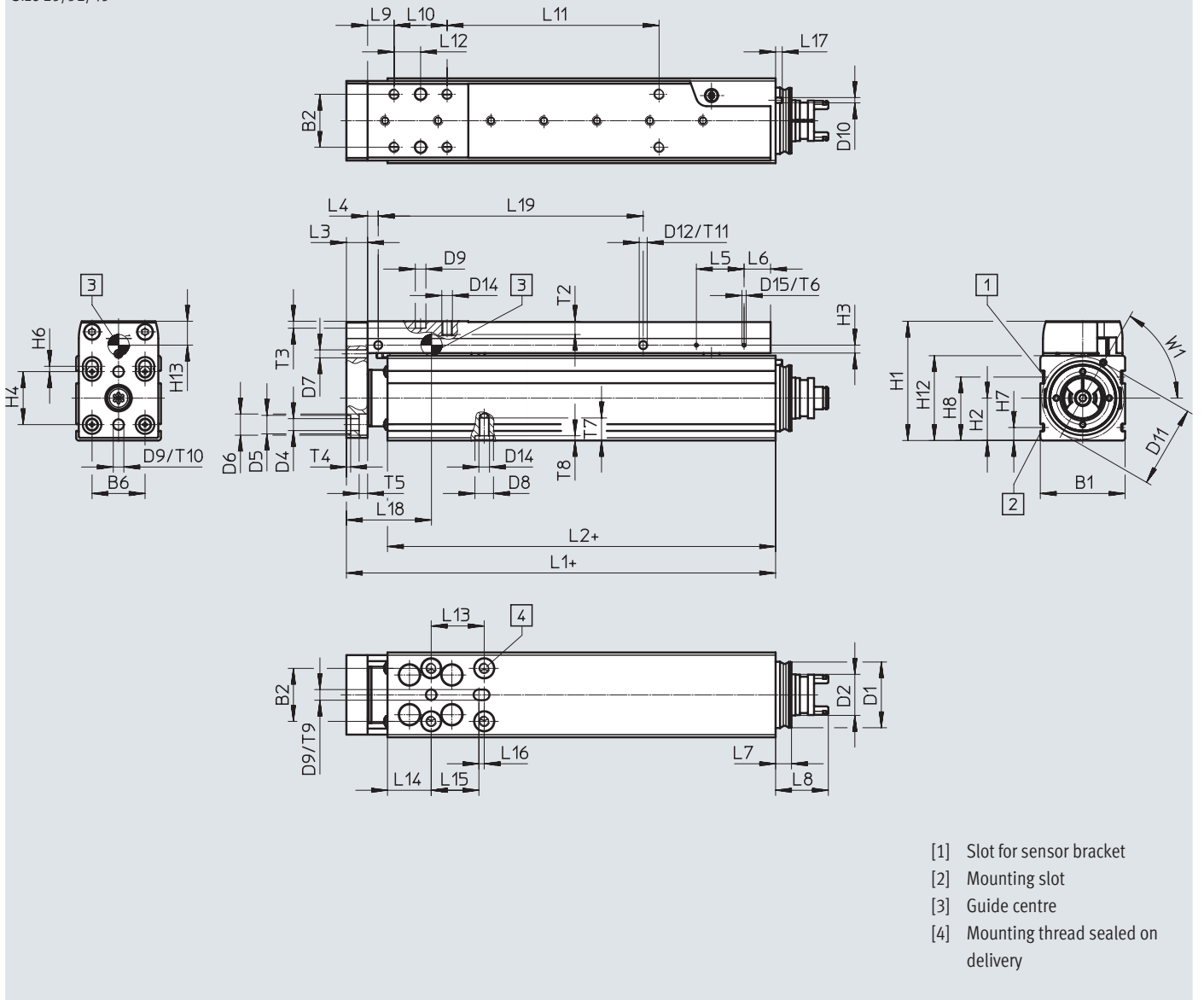
— EGSC-BS-KF-25
 EGSC-BS-KF-32
 - - - EGSC-BS-KF-45
 EGSC-BS-KF-60

Datasheet

Dimensions

Download CAD data → www.festo.com

Size 25/32/45



- [1] Slot for sensor bracket
- [2] Mounting slot
- [3] Guide centre
- [4] Mounting thread sealed on delivery

Datasheet

Size	B1 ±0.15	B2	B5	B6	D1 ∅	D2 ¹⁾ ∅	D3 ∅	D4 ∅ H13	D5 ∅ H7	D6 ∅ H13	D7 ∅	D8 ∅ H7	D9 ∅ H8	D10 ∅	D11 ∅
25	25	17	–	17	20.5	10.8	–	3.4	5	6	2.5	5	2	2	25
32	32	20	–	20	25	15.5	–	4.5	7	8	3	7	4	2	31
45	45	25	–	25	32	16.3	–	5.5	7	10	3	7	5	3	41

Size	D12 ∅	D13	D14	D15	D16	H1	H2	H3	H4	H5	H6	H7	H8	H12 ±0.15	H13
25	3	–	M3	M1.6	–	36.5	12.5	2.5	17	–	–	4.9	20.5	25	7.6
32	3	–	M4	M1.6	–	45	16	3	20	–	2	4.9	24	32	8.4
45	3	–	M5	M2	–	60.5	22.5	3	25	–	–	6.1	28.5	45	10.7

Size	L1	L2	L3 +0.2	L4	L5 ±0.1	L6	L7	L8	L9	L10	L12	L13	L14	L15	L16
25	53.6	42	6	4	18	6	5	15	10	17	8.5	17	13.5	16.5	1
32	62	46.5	8	4	18	10	6	19.9	10	20	10	20	16.5	18	2
45	73.8	54.5	10	4	24	12	6	19.9	15	25	12.5	25	17.5	24	2

Size	L17	L18	T1	T2	T3 +0.1	T4 +0.1	T5	T6	T7	T8 +0.1	T9 +0.1	T10 +0.1	T11 –0.2	W1	≈ \varnothing 1
25	2.5	25.1	–	4.5	2.6	1.3	3.2	2	6	1.3	2.1	3.1	2	60°	6
32	2.5	31.8	–	5	2.6	1.6	3.2	1.5	8.5	1.8	2.6	2.6	1.5	60°	6
45	2	37.3	–	6	1.3	1.6	5.4	4	7	1.8	1.3	1.3	5	60°	12

Size	Stroke [mm]	L19	L11
25	25	25	0
	50	50	33
	75	75	58
32	25	25	0
	50	50	30
	75	75	55
45	100	100	80
	25	25	0
	50	50	25
	75	75	50
	100	100	75
	125	125	100
	150	150	125

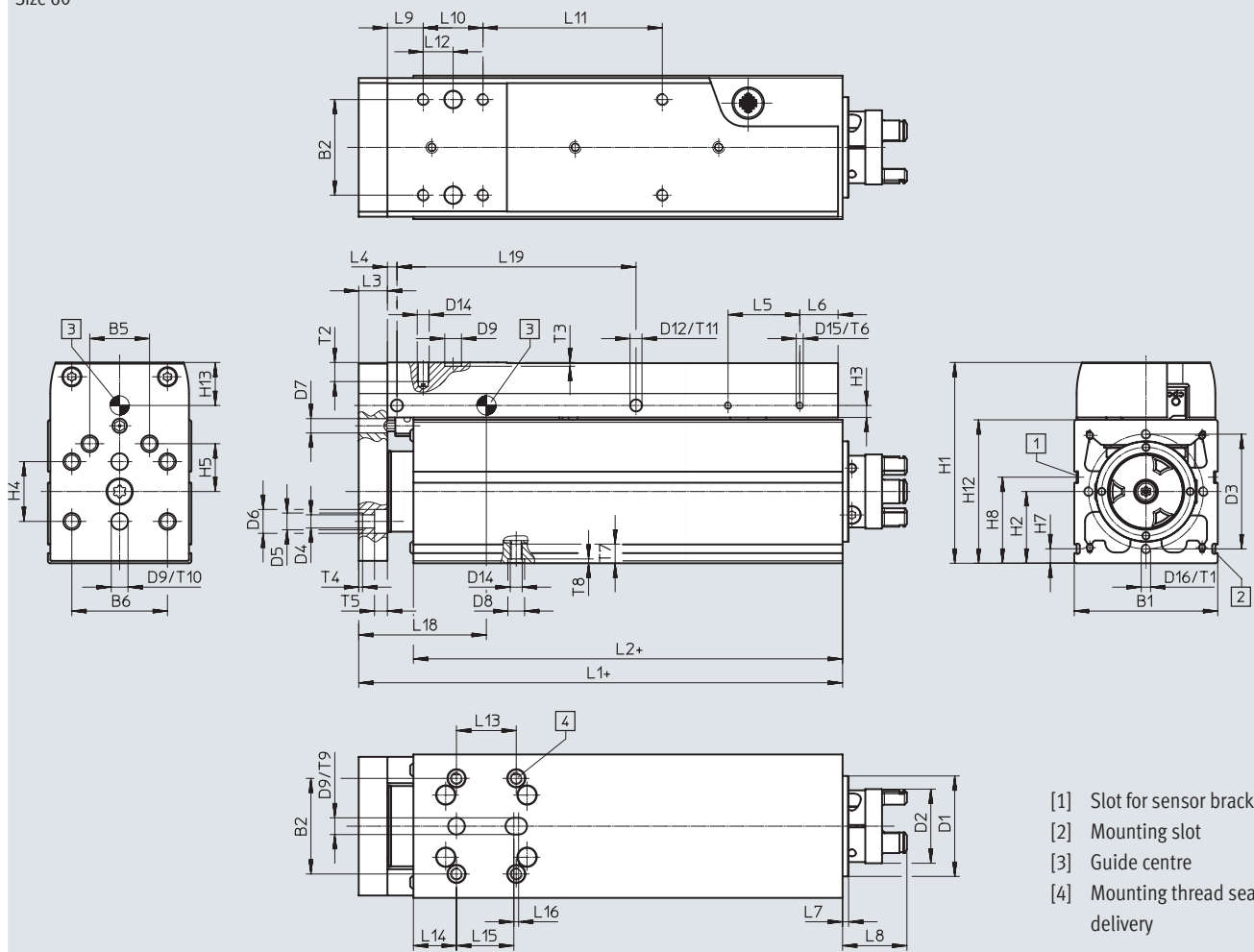
1) Coupling diameter or interference diameter of locking screw

Datasheet

Dimensions

Download CAD data → www.festo.com

Size 60



- [1] Slot for sensor bracket
- [2] Mounting slot
- [3] Guide centre
- [4] Mounting thread sealed on delivery

Datasheet

Size	B1 ±0.15	B2	B5	B6	D1 ∅	D2 ¹⁾ ∅	D3 ∅	D4 ∅ H13	D5 ∅ H7	D6 ∅ H13	D7 ∅	D8 ∅ H7	D9 ∅ H8	D10 ∅	D11 ∅
60	60	40	25	40	42	31.4	48	5.5	7	10	6	7	7	–	–

Size	D12 ∅	D13	D14	D15	D16	H1	H2	H3	H4	H5	H6	H7	H8	H12 ±0.15	H13
60	5	M4	M5	M3	M4	84	30	5	25	20	–	6.1	36	60	16.4

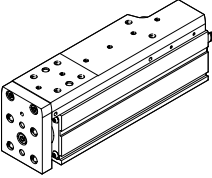
Size	L1	L2	L3 +0.2	L4	L5 ±0.1	L6	L7	L8	L9	L10	L12	L13	L14	L15	L16
60	102.4	79.5	12	4	30	16	2.5	26.9	15	25	12.5	25	30	24	2

Size	L17	L18	T1	T2	T3 +0.1	T4 +0.1	T5	T6	T7	T8 +0.1	T9 +0.1	T10 +0.1	T11 –0.2	W1	≈± 1
60	–	53.4	10	8	1.6	1.6	5.4	6	8	1.8	1.6	1.6	5	–	15


Size	Stroke [mm]	L19	L11
60	50	50	25
	75	75	50
	100	100	75
	125	125	100
	150	150	125
	200	200	175

1) Coupling diameter or interference diameter of locking screw

Datasheet

Ordering data								
	Size	Spindle pitch	Stroke	Part no.	Type			
	25	2	25	8162069	EGSC-BS-KF-25-25-2P			
			50	8162070	EGSC-BS-KF-25-50-2P			
			75	8162071	EGSC-BS-KF-25-75-2P			
		6	150	8162230	EGSC-BS-KF-25-150-2P			
			25	8048310	EGSC-BS-KF-25-25-6P			
			50	8048311	EGSC-BS-KF-25-50-6P			
	32	3	3	75	8061280	EGSC-BS-KF-25-75-6P		
				25	8162073	EGSC-BS-KF-32-25-3P		
				50	8162074	EGSC-BS-KF-32-50-3P		
				75	8162075	EGSC-BS-KF-32-75-3P		
				100	8162072	EGSC-BS-KF-32-100-3P		
				150	8162231	EGSC-BS-KF-32-150-3P		
		8	8	200	8162232	EGSC-BS-KF-32-200-3P		
				25	8048306	EGSC-BS-KF-32-25-8P		
				50	8048307	EGSC-BS-KF-32-50-8P		
				75	8048308	EGSC-BS-KF-32-75-8P		
				100	4356032	EGSC-BS-KF-32-100-8P		
				45	3	3	25	8162079
	50	8162080	EGSC-BS-KF-45-50-3P					
	75	8162081	EGSC-BS-KF-45-75-3P					
	100	8162076	EGSC-BS-KF-45-100-3P					
	125	8162077	EGSC-BS-KF-45-125-3P					
	150	8162078	EGSC-BS-KF-45-150-3P					
	10	10	25		8048300	EGSC-BS-KF-45-25-10P		
50			8048301		EGSC-BS-KF-45-50-10P			
75			8048302		EGSC-BS-KF-45-75-10P			
100			4022926		EGSC-BS-KF-45-100-10P			
125			8048303		EGSC-BS-KF-45-125-10P			
150			8048304		EGSC-BS-KF-45-150-10P			
60			5		5	50	8162086	EGSC-BS-KF-60-50-5P
						75	8162087	EGSC-BS-KF-60-75-5P
						100	8162082	EGSC-BS-KF-60-100-5P
						125	8162083	EGSC-BS-KF-60-125-5P
						150	8162084	EGSC-BS-KF-60-150-5P
						200	8162085	EGSC-BS-KF-60-200-5P
	12	12	50	8048362	EGSC-BS-KF-60-50-12P			
			75	8048363	EGSC-BS-KF-60-75-12P			
			100	4356469	EGSC-BS-KF-60-100-12P			
			125	8048364	EGSC-BS-KF-60-125-12P			
			150	8048365	EGSC-BS-KF-60-150-12P			
			200	8048366	EGSC-BS-KF-60-200-12P			

Accessories

 **Note**

Depending on the combination of motor and drive, it may not be possible to reach the maximum feed force of the drive. When using parallel kits, the respective no-load driving torque of the kit must be taken into consideration

Permissible axis/motor combinations with axial kit – Without gear unit		Datasheets → Internet: eamm-a	
Motor ¹⁾	Axial kit	• Kits for third-party motors → Internet: eamm-a	
Type	Part no.	Type	
EGSC-25			
With stepper motor			
EMMS-ST-28-...	4505258	EAMM-A-V20-28A	
EGSC-32			
With servo motor			
EMME-AS-40-...	4491059	EAMM-A-V25-40P	
With stepper motor			
EMMS-ST-42-...	4582608	EAMM-A-V25-42A	
EGSC-45			
With servo motor			
EMME-AS-40-...	4595742	EAMM-A-V32-40P	
EMMT-AS-60-..., EMME-AS-60-...	4608750	EAMM-A-V32-60P	
With stepper motor			
EMMS-ST-42-...	4281142	EAMM-A-V32-42A	
EMMS-ST-57-...	4597016	EAMM-A-V32-57A	
EGSC-60			
With servo motor			
EMMT-AS-60-..., EMME-AS-60-...	4133487	EAMM-A-T42-60P	
EMMT-AS-80-..., EMME-AS-80-...	4623788	EAMM-A-T42-80P	
With stepper motor			
EMMS-ST-57-...	4327034	EAMM-A-T42-57A	
EMMS-ST-87-...	4610008	EAMM-A-T42-87A	

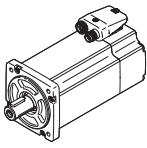
1) The input torque must not exceed the maximum permissible transferable torque of the axial kit.

Accessories

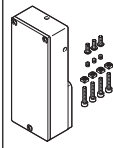
Datasheets → Internet: eamm-u

Permissible axis/motor combinations with parallel kit

Motor/gear unit¹⁾



Parallel kit



- Kits for third-party motors → Internet: eamm-u

Type	Part no.	Type
EGSC-25		
With stepper motor		
EMMS-ST-28-...	4767125	EAMM-U-30-V20-28A-44
EGSC-32		
With servo motor		
EMME-AS-40-...	4782056	EAMM-U-45-V25-40P-63
With stepper motor		
EMMS-ST-42-...	4825645	EAMM-U-45-V25-42A-63
EGSC-45		
With servo motor		
EMME-AS-40-...	4718297	EAMM-U-45-V32-40P-63
With stepper motor		
EMMS-ST-42-...	4280674	EAMM-U-45-V32-42A-63
EGSC-60		
With servo motor		
EMMT-AS-60-..., EMME-AS-60-...	4784301	EAMM-U-65-T42-60P-87
With stepper motor		
EMMS-ST-57-...	4331535	EAMM-U-65-T42-57A-87

1) The input torque must not exceed the max. permissible transferable torque of the parallel kit.

Accessories

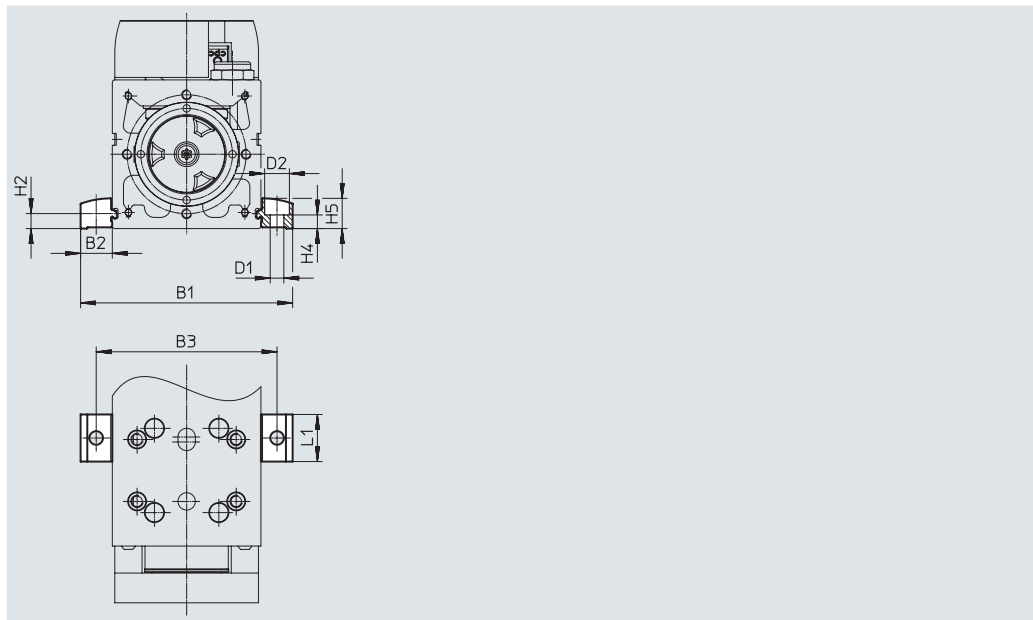
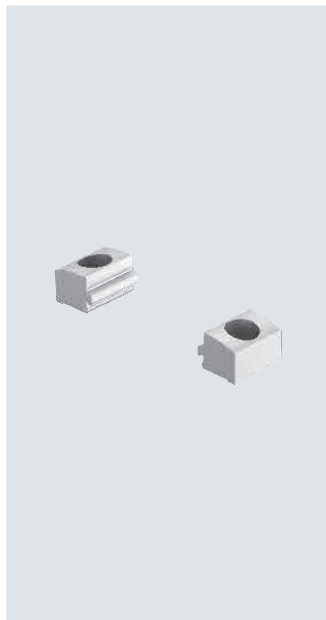
Profile mounting EAHF-L2-...-P-S

Material:

Anodised wrought aluminium alloy

RoHS-compliant

- For mounting the slide on the side of the profile



Dimensions and ordering data

For size	B1	B2	B3	D1 ∅ H13	D2 ∅ H13	H2
25	44.4	9.7	35	4.5	8	4.9
32	51.4	9.7	42	4.5	8	4.9
45	70.6	12.8	58	5.5	10	6.1
60	85.6	12.8	73	5.5	10	6.1

For size	H4 ±0.1	H5	L1	Weight [g]	Part no.	Type
25	4.2	9	19	4	5183153	EAHF-L2-25-P-S
32	4.2	9	19	4	5183153	EAHF-L2-25-P-S
45	5.5	12.2	19	6	5184133	EAHF-L2-45-P-S
60	5.5	12.2	19	6	5184133	EAHF-L2-45-P-S

Accessories

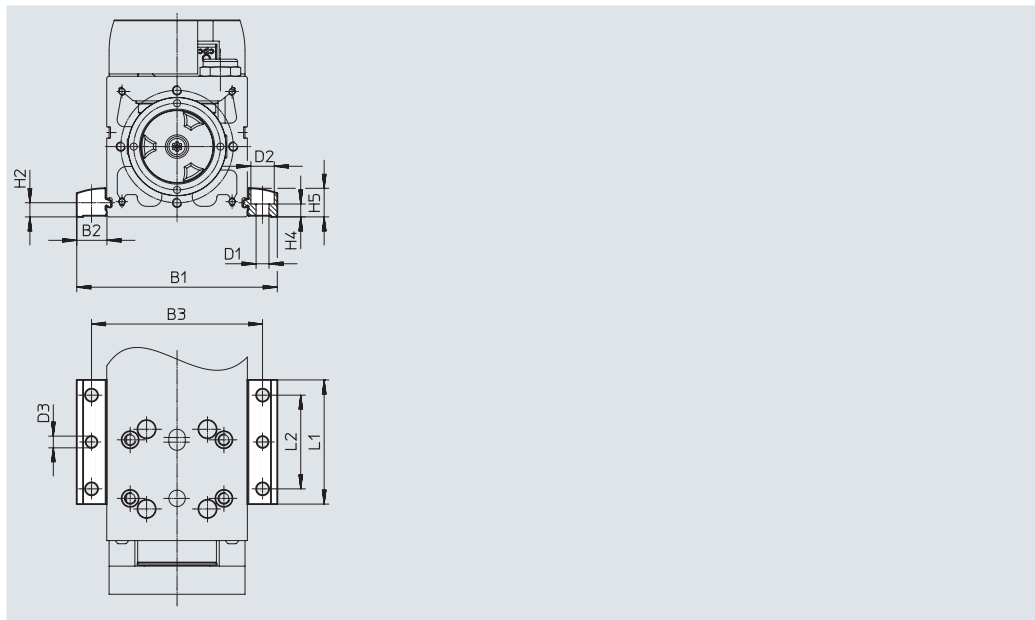
Profile mounting EAHF-L2-...-P

Material:

Anodised wrought aluminium alloy

RoHS-compliant

- For mounting the slide on the side of the profile.
The profile mounting can be attached to the mounting surface using the drilled hole in the centre



Dimensions and ordering data

For size	B1	B2	B3	D1 ∅ H13	D2 ∅ H13	D3 ∅	H2
25	44.4	9.7	35	4.5	8	4	4.9
32	51.4	9.7	42	4.5	8	4	4.9
45	70.6	12.8	58	5.5	10	5	6.1
60	85.6	12.8	73	5.5	10	5	6.1

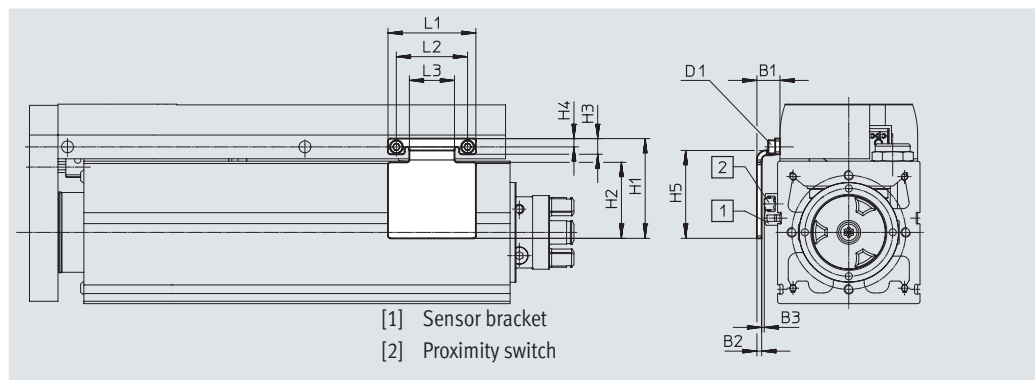
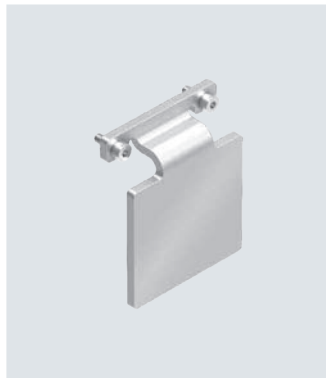
For size	H4 ±0.1	H5	L1	L2	Weight [g]	Part no.	Type
25	4.2	9	53	40	19	4835684	EAHF-L2-25-P
32	4.2	9	53	40	19	4835684	EAHF-L2-25-P
45	5.5	12.2	53	40	35	4835728	EAHF-L2-45-P
60	5.5	12.2	53	40	35	4835728	EAHF-L2-45-P

Accessories

Switch lug EAPM-...-SLS

For sensing using inductive proximity switches SIES-8M

Material:
Galvanised steel
RoHS-compliant



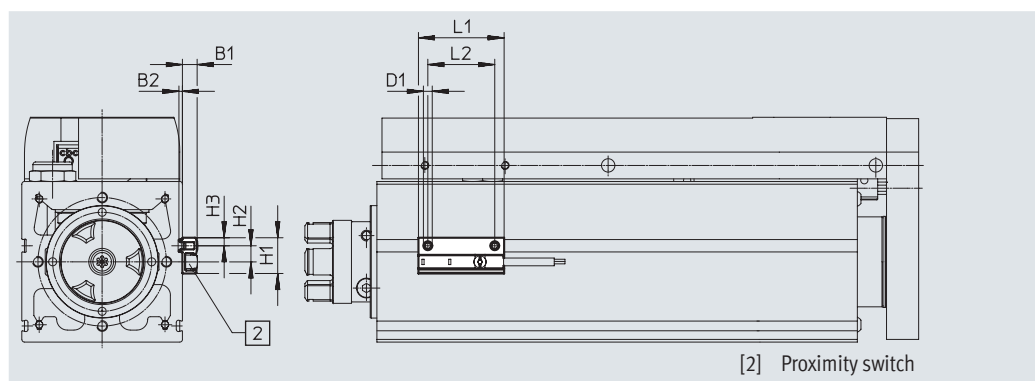
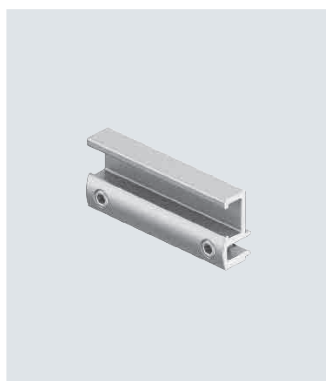
Dimensions and ordering data

For size	B1	B2	B3	D1	H1	H2	H3	H4
25	9.2	2	1.0±0.32	M1.6	21	13	4.3	2.5
32	9.2	2	1.0±0.26	M1.6	27	19	4.3	2.5
45	9.4	2	0.7±0.26	M2	37	28	5.5	3.3
60	9.7	2	0.7±0.31	M3	42	32	6.6	3.5

For size	H5	L1	L2	L3	Weight [g]	Part no.	Type
25	18	22	18	10	8	8067258	EAPM-E19-25-SLS
32	24	22	18	10	10	8067259	EAPM-L2-32-SLS
45	33	30	24	14	18	8067260	EAPM-L2-45-SLS
60	37	37	30	19	27	8067261	EAPM-L2-60-SLS

Sensor bracket EAPM-L2

Material:
Anodised wrought aluminium alloy
RoHS-compliant



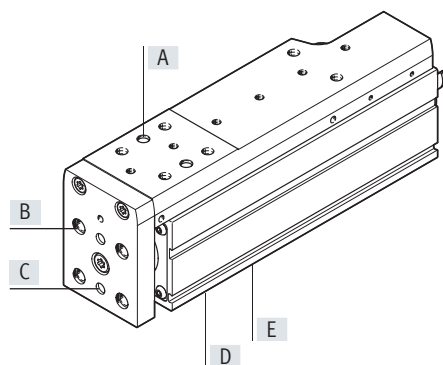
Dimensions and ordering data

For size	B1	B2	D1	H1	H2
25, 32, 45, 60	5.5	1.3	M4	13.4	6

For size	H3	L1	L2	Weight [g]	Part no.	Type
25, 32, 45, 60	3	32	25	4	4759852	EAPM-L2-SH

Accessories

Ordering data – Centring sleeve



For size	Position	Part no.	Type	PU ¹⁾
25	A	525273	ZBS-2	10
	B	8146543	ZBH-5-B	
	C	525273	ZBS-2	
	D	8146543	ZBH-5-B	
	E	525273	ZBS-2	
32	A	562959	ZBS-4	
	B	8146544	ZBH-7-B	
	C	562959	ZBS-4	
	D	8146544	ZBH-7-B	
	E	562959	ZBS-4	
45	A	8146543	ZBH-5-B	
	B	8146544	ZBH-7-B	
	C	8146543	ZBH-5-B	
	D	8146544	ZBH-7-B	
	E	8146543	ZBH-5-B	
60	A	8146544	ZBH-7-B	
	B	8146544	ZBH-7-B	
	C	8146544	ZBH-7-B	
	D	8146544	ZBH-7-B	
	E	8146544	ZBH-7-B	

1) Packaging unit

Ordering data – Push-in fitting for sealing air connection

For size	Part no.	Type	PU ¹⁾
25	133003	QSM-M5-3-I-R	10
	133004	QSM-M5-4-I-R	
32	133003	QSM-M5-3-I-R	
	133004	QSM-M5-4-I-R	
45	186266	QSM-G1/8-4-I	
	186267	QSM-G1/8-6-I	
60	186108	QS-G1/4-6-I	
	186110	QS-G1/4-8-I	

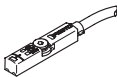
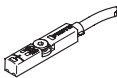


1) Packaging unit

Ordering data – Proximity switches for T-slot, inductive

Datasheets → Internet: sies

Type of mounting	Switching output	Electrical connection	Cable length [m]	Part no.	Type
N/O					
Inserted in the slot from above, flush with the cylinder profile	PNP	Cable, 3-wire	7.5	551386	SIES-8M-PS-24V-K-7.5-OE
		Plug M8x1, 3-pin	0.3	551387	SIES-8M-PS-24V-K-0.3-M8D
	NPN	Cable, 3-wire	7.5	551396	SIES-8M-NS-24V-K-7.5-OE
		Plug M8x1, 3-pin	0.3	551397	SIES-8M-NS-24V-K-0.3-M8D
N/C					
Inserted in the slot from above, flush with the cylinder profile	PNP	Cable, 3-wire	7.5	551391	SIES-8M-PO-24V-K-7.5-OE
		Plug M8x1, 3-pin	0.3	551392	SIES-8M-PO-24V-K-0.3-M8D
	NPN	Cable, 3-wire	7.5	551401	SIES-8M-NO-24V-K-7.5-OE
		Plug M8x1, 3-pin	0.3	551402	SIES-8M-NO-24V-K-0.3-M8D

Accessories

Ordering data – Proximity switch for T-slot, magneto-resistive						Datasheets → Internet: smt
	Type of mounting	Switching output	Electrical connection	Cable length [m]	Part no.	Type
N/O						
	Inserted in the slot from above, flush with the cylinder profile, short design	PNP	Cable, 3-wire	2.5	574335	SMT-8M-A-PS-24V-E-2.5-OE
			Plug M8x1, 3-pin	0.3	574334	SMT-8M-A-PS-24V-E-0.3-M8D
N/C						
	Inserted in the slot from above, flush with the cylinder profile, short design	PNP	Cable, 3-wire	7.5	574340	SMT-8M-A-PO-24V-E-7.5-OE
Ordering data – Connecting cables						
						Datasheets → Internet: nebu
	Electrical connection, left	Electrical connection, right	Cable length [m]	Part no.	Type	
	Straight socket, M8x1, 3-pin	Cable, open end, 3-wire	2.5	541333	NEBU-M8G3-K-2.5-LE3	
			5	541334	NEBU-M8G3-K-5-LE3	
	Angled socket, M8x1, 3-pin	Cable, open end, 3-wire	2.5	541338	NEBU-M8W3-K-2.5-LE3	
			5	541341	NEBU-M8W3-K-5-LE3	

Festo - Your Partner in Automation



1 Festo Inc.
5300 Explorer Drive
Mississauga, ON L4W 5G4
Canada

Festo Customer Interaction Center
Tel: 1 877 463 3786
Fax: 1 877 393 3786
Email: customer.service.ca@festo.com



2 Festo Pneumatic
Av. Ceylán 3,
Col. Tequesquináhuac
54020 Tlalneptla,
Estado de México

Multinational Contact Center
01 800 337 8669
ventas.mexico@festo.com



3 Festo Corporation
1377 Motor Parkway
Suite 310
Islandia, NY 11749

Festo Customer Interaction Center
1 800 993 3786
1 800 963 3786
customer.service.us@festo.com



4 Regional Service Center
7777 Columbia Road
Mason, OH 45040

Connect with us



www.festo.com/socialmedia



www.festo.com

Subject to change