

Datasheet

Suction cup U6 HNBR, M5 male

Item number: U6.47.01AB



- Suitable for objects with flat or slightly curved surfaces.
- Also used for concave objects.

Technical data

| Description | Unit | Value |
|-------------------------|-----------------|-----------|
| Suction cup shape | - | Universal |
| Application | - | Mark Free |
| Suction cup design | - | Round |
| Characteristics | - | Mark free |
| Material | - | HNBR |
| Weight, min. | oz | 0.0049 |
| Suction cup model | - | U |
| Volume | in ³ | 0.0031 |
| Height | in | 0.57 |
| Outer diameter, min. | in | 0.28 |
| Fitting size | - | None |
| Fitting option | - | None |
| Fitting style | - | Male |
| Fitting type | - | M-thread |
| Suction cup model | - | U6 |
| Movement, vertical max. | in | 0.012 |
| Curve radius, min. | in | 0.20 |

Performance - Lifting forces

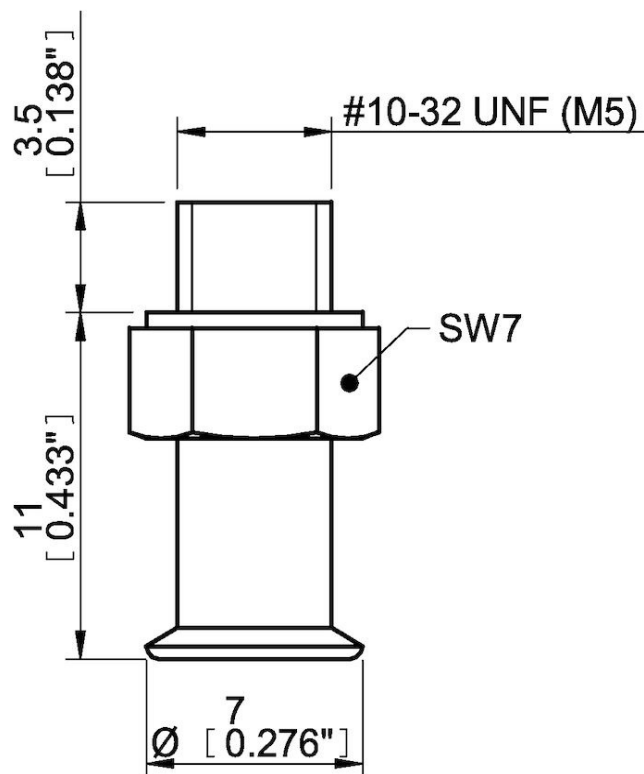
| U6 | Vertical (lb) | Parallel (lb) |
|-------------|---------------|---------------|
| 5.91 -inHg | 0.11 | 0.11 |
| 17.72 -inHg | 0.38 | 0.34 |
| 26.58 -inHg | 0.56 | 0.45 |

| Material | |
|------------------------|------------------|
| Name | HNBR 50° Shore A |
| Color | Blue |
| Temperature, min. °F | -22.0 |
| Temperature max. °F | 284.0 |
| Hardness °Shore A | 50 |

Material resistance

| | |
|--------------------|-----------|
| Alcohol | Good |
| Concentrated acids | Fair |
| Ethanol | n/a |
| Hydrolysis | Good |
| Methanol | n/a |
| Oil | Excellent |
| Oxidation | Excellent |
| Gasoline | Excellent |
| Wear resistance | Excellent |
| Weather and ozone | Excellent |

Dimensional drawings



Values specified in this data sheet are tested at (unless otherwise stated):

- Room temperature (20°C [68°F] ± 3°C [5.5°F]).
- Standard atmosphere (101.3 [29.9 inHg] ± 1.0 kPa [0.3 inHg]).
- Relative humidity 20-70%.
- Compressed air quality, DIN ISO 8573-1 class 4.

Accessories

U6.10 | Suction cup U6 Chloroprene

U6.20 | Suction cup U6 Silicone

Spare parts

U6.47 | Suction cup U6 HNBR

01AB | Fitting M5 male, 5-8