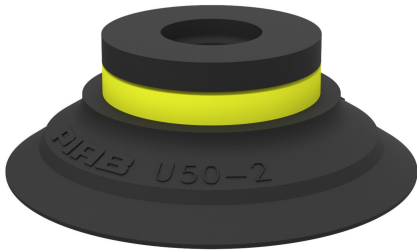


Datasheet

Suction cup U50-2 Nitrile-PVC

Item number: U50-2.30

- Suitable for objects with flat or slightly curved surfaces.
- Also used for concave objects.



Technical data

| Description | Unit | Value |
|-------------------------|-----------------|---|
| Suction cup shape | - | Universal |
| Application | - | Dry sheet metal, Plastic injection molded parts |
| Suction cup design | - | Round |
| Characteristics | - | Dry sheet metal, Plastic injection molded parts |
| Material | - | Nitrile-PVC (NPV) |
| Weight, min. | oz | 0.35 |
| Suction cup model | - | U |
| Volume | in ³ | 0.73 |
| Height | in | 0.69 |
| Outer diameter, min. | in | 2.024 |
| Fitting size | - | None |
| Fitting option | - | None |
| Fitting style | - | None |
| Fitting type | - | None |
| Suction cup model | - | U50-2 |
| Movement, vertical max. | in | 0.24 |
| Curve radius, min. | in | 1.38 |

Performance - Lifting forces

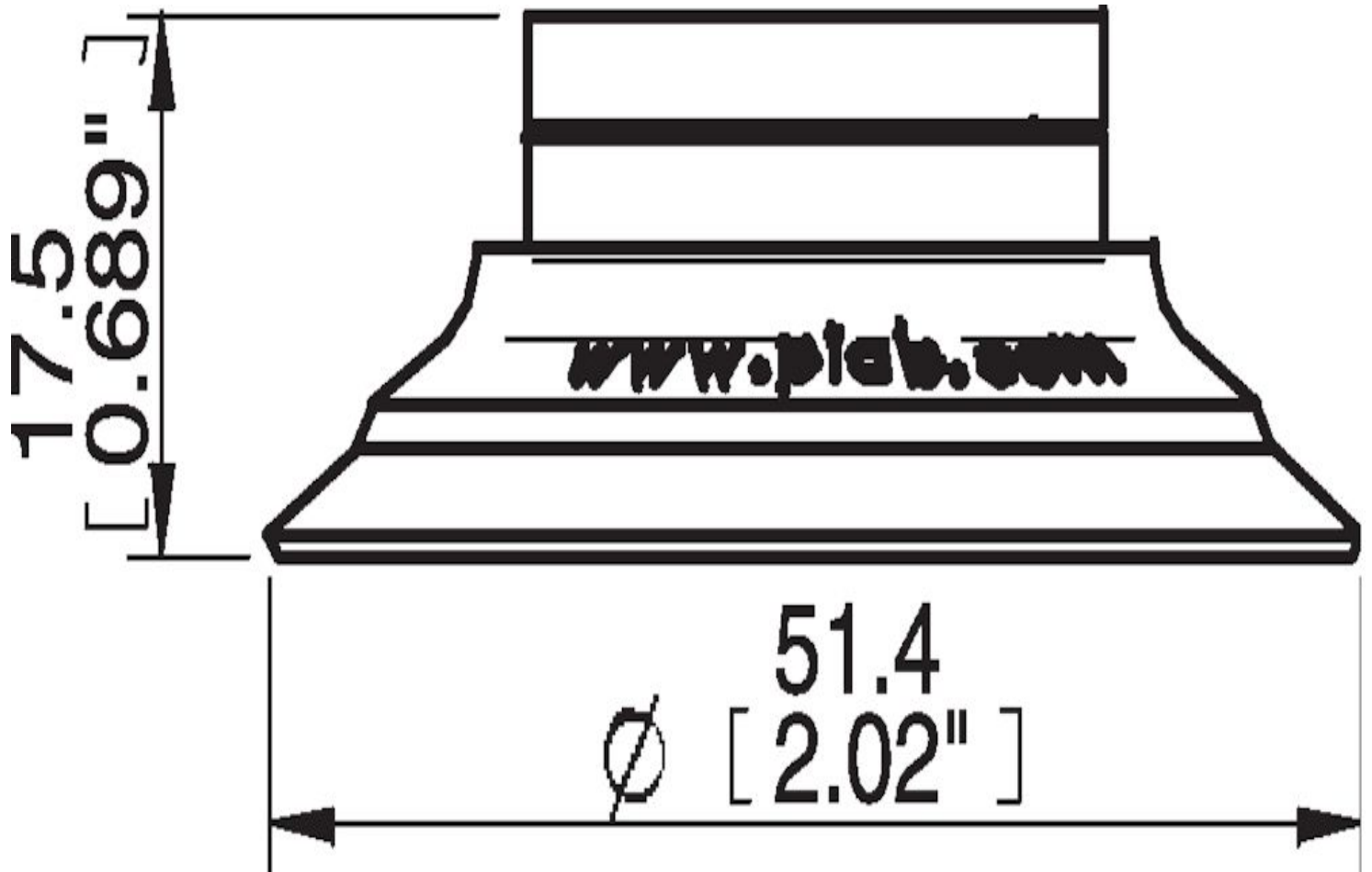
| U50-2 | Vertical (lb) | Parallel (lb) |
|-------------|---------------|---------------|
| 5.91 -inHg | 7.87 | 4.50 |
| 17.72 -inHg | 16.41 | 8.32 |
| 26.58 -inHg | 20.68 | 9.89 |

| Material | |
|------------------------|-------------------|
| Name | Nitrile-PVC (NPV) |
| Color | Black |
| Temperature, min. °F | 32.0 |
| Temperature max. °F | 194.0 |
| Hardness °Shore A | 50 |

Material resistance

| | |
|--------------------|-----------|
| Alcohol | Good |
| Concentrated acids | Fair |
| Ethanol | n/a |
| Hydrolysis | Good |
| Methanol | n/a |
| Oil | Excellent |
| Oxidation | Good |
| Gasoline | Excellent |
| Wear resistance | Excellent |
| Weather and ozone | Good |

Dimensional drawings



Values specified in this data sheet are tested at (unless otherwise stated):

- Room temperature (20°C [68°F] ± 3°C [5.5°F]).
- Standard atmosphere (101.3 [29.9 inHg] ± 1.0 kPa [0.3 inHg]).
- Relative humidity 20-70%.
- Compressed air quality, DIN ISO 8573-1 class 4.

Accessories

- 05AF | Fitting 5x1/8" NPSF female, 50
- 05AG | Fitting 1/8" NPSF female, 50, with mesh filter
- 05AI | Fitting G1/8" male, 50, with mesh filter
- 05CA | Fitting 1/8" NPSF female, 50, PA
- 05AA | Fitting 1/8" NPSF female, 50
- 05AD | Fitting G3/8" male, 50, with mesh filter
- 05AE | Fitting 3/8" NPT male, with mesh filter
- 05AB | Fitting G1/4" male, 50, with mesh filter
- 05AC | Fitting 1/4" NPT male, with mesh filter
- 05DA | Fitting 1/8" NPSF female, 50, with dual flow control valve
- 05DB | Fitting G1/4" male, with dual flow control valve
- 05DC | Fitting 1/4" NPT male, with dual flow control valve
- 05DD | Fitting G3/8" male, 50, with mesh filter and dual flow control valve
- 05DE | Fitting 3/8" NPT male, with dual flow control valve
- 05DF | Fitting 5x1/8" NPSF female, 50, with dual flow control valve