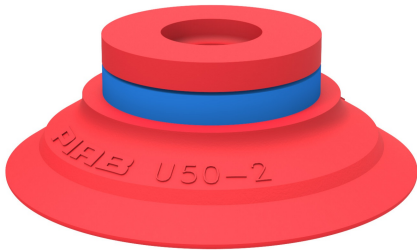


Suction cup U50-2 Silicone

Item number: U50-2.20

- Suitable for objects with flat or slightly curved surfaces.
- Also used for concave objects.



Technical data

Description	Unit	Value
Suction cup shape	-	Universal
Application	-	Plastic injection molded parts
Suction cup design	-	Round
Characteristics	-	Plastic injection molded parts
Material	-	Silicone (SIL)
Weight, min.	oz	0.35
Suction cup model	-	U
Volume	in ³	0.73
Height	in	0.69
Outer diameter, min.	in	2.024
Fitting size	-	None
Fitting option	-	None
Fitting style	-	None
Fitting type	-	None
Suction cup model	-	U50-2
Movement, vertical max.	in	0.24
Curve radius, min.	in	1.38

Performance - Lifting forces

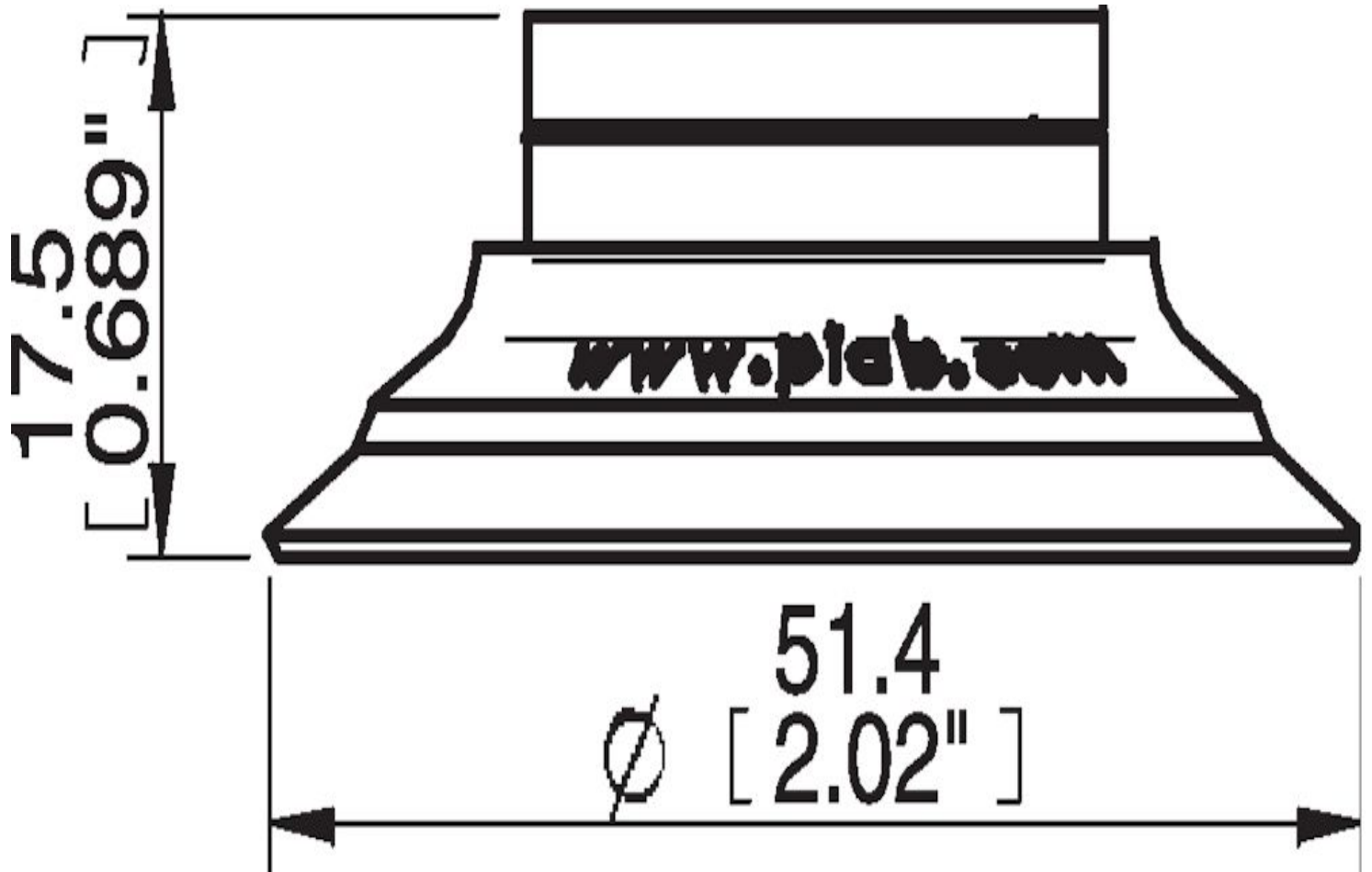
U50-2	Vertical (lb)	Parallel (lb)
5.91 -inHg	7.87	4.50
17.72 -inHg	16.41	8.32
26.58 -inHg	20.68	9.89

Material	
Name	Silicone, SIL 50° Shore A
Color	Red
Temperature, min. °F	-40.0
Temperature max. °F	392.0
Hardness °Shore A	50

Material resistance

Alcohol	Good
Concentrated acids	Poor
Ethanol	n/a
Hydrolysis	Fair
Methanol	n/a
Oil	Poor
Oxidation	Excellent
Gasoline	Poor
Wear resistance	Good
Weather and ozone	Excellent

Dimensional drawings



Values specified in this data sheet are tested at (unless otherwise stated):

- Room temperature (20°C [68°F] ± 3°C [5.5°F]).
- Standard atmosphere (101.3 [29.9 inHg] ± 1.0 kPa [0.3 inHg]).
- Relative humidity 20-70%.
- Compressed air quality, DIN ISO 8573-1 class 4.

Accessories

05AF | Fitting 5x1/8" NPSF female, 50
05AG | Fitting 1/8" NPSF female, 50, with mesh filter
05AI | Fitting G1/8" male, 50, with mesh filter
05CA | Fitting 1/8" NPSF female, 50, PA
05AA | Fitting 1/8" NPSF female, 50
05AD | Fitting G3/8" male, 50, with mesh filter
05AE | Fitting 3/8" NPT male, with mesh filter
05AB | Fitting G1/4" male, 50, with mesh filter
05AC | Fitting 1/4" NPT male, with mesh filter
05DA | Fitting 1/8" NPSF female, 50, with dual flow control valve
05DB | Fitting G1/4" male, with dual flow control valve
05DC | Fitting 1/4" NPT male, with dual flow control valve
05DD | Fitting G3/8" male, 50, with mesh filter and dual flow control valve
05DE | Fitting 3/8" NPT male, with dual flow control valve
05DF | Fitting 5x1/8" NPSF female, 50, with dual flow control valve