

Datasheet

Suction cup U30 Nitrile-PVC, 1/8" NPT male, with mesh filter

Item number: U30.30.02AC



- Suitable for objects with flat or slightly curved surfaces.
- Also used for concave objects.

Technical data

Description	Unit	Value
Suction cup shape	-	Universal
Application	-	Dry sheet metal, Plastic injection molded parts
Suction cup design	-	Round
Characteristics	-	Dry sheet metal, Plastic injection molded parts
Material	-	Nitrile-PVC (NPV)
Weight, min.	oz	0.063
Suction cup model	-	U
Volume	in ³	0.12
Height	in	0.85
Outer diameter, min.	in	1.26
Fitting size	-	1/8"
Fitting option	-	Filter mesh
Fitting style	-	Male
Fitting type	-	NPT-thread
Suction cup model	-	U30
Movement, vertical max.	in	0.14
Curve radius, min.	in	0.79

Performance - Lifting forces

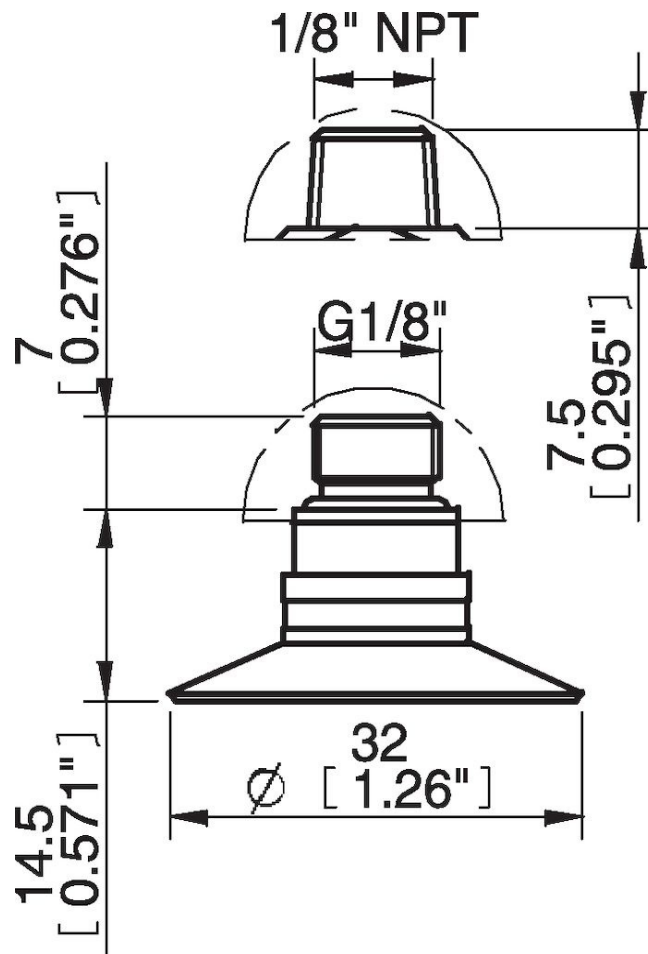
U30	Vertical (lb)	Parallel (lb)
5.91 -inHg	2.70	1.75
17.72 -inHg	5.62	2.20
26.58 -inHg	6.74	2.47

Material	
Name	Nitrile-PVC (NPV)
Color	Black
Temperature, min. °F	32.0
Temperature max. °F	194.0
Hardness °Shore A	50

Material resistance

Alcohol	Good
Concentrated acids	Fair
Ethanol	n/a
Hydrolysis	Good
Methanol	n/a
Oil	Excellent
Oxidation	Good
Gasoline	Excellent
Wear resistance	Excellent
Weather and ozone	Good

Dimensional drawings



Values specified in this data sheet are tested at (unless otherwise stated):

- Room temperature (20°C [68°F] ± 3°C [5.5°F]).
- Standard atmosphere (101.3 [29.9 inHg] ± 1.0 kPa [0.3 inHg]).
- Relative humidity 20-70%.
- Compressed air quality, DIN ISO 8573-1 class 4.

Accessories

02AE | Fitting 5xM5 female

U30.20 | Suction cup U30 Silicone

02AF | Fitting G1/8" male/M5 female, with mesh filter

02CD | Fitting G1/8" male/M5 female, PA

02AA | Fitting M5 female

02AD | Fitting G1/8" male/M5 female

02AB | Fitting G1/8" male, with mesh filter

02DA | Fitting M5 female, with dual flow control valve

02DC | Fitting 1/8" NPT male, with dual flow control valve

02DD | Fitting G1/8" male/M5 female, with dual flow control valve

02DE | Fitting 5xM5 female, with dual flow control valve

Spare parts

U30.30 | Suction cup U30 Nitrile-PVC

02AC | Fitting 1/8" NPT male, with mesh filter