

Suction cup U2 Conductive silicone, M2.5 male

Item number: U2.25.01AA



- Suitable for objects with flat or slightly curved surfaces.
- Also used for concave objects.
- Suction cups of conductive silicone are suitable for objects with sensitivity to static electricity.

Technical data

Description	Unit	Value
Suction cup shape	-	Universal
Application	-	Electronic / semiconductor
Suction cup design	-	Round
Characteristics	-	ESD/Conductive/Antistatic
Material	-	Silicone (SIL)
Weight, min.	oz	0.00042
Suction cup model	-	U
Volume	in ³	0.00018
Height	in	0.35
Outer diameter, min.	in	0.10
Fitting size	-	M2.5
Fitting option	-	None
Fitting style	-	Male
Fitting type	-	M-thread
Suction cup model	-	U2
Movement, vertical max.	in	0.0039
Curve radius, min.	in	0.16

Performance - Lifting forces

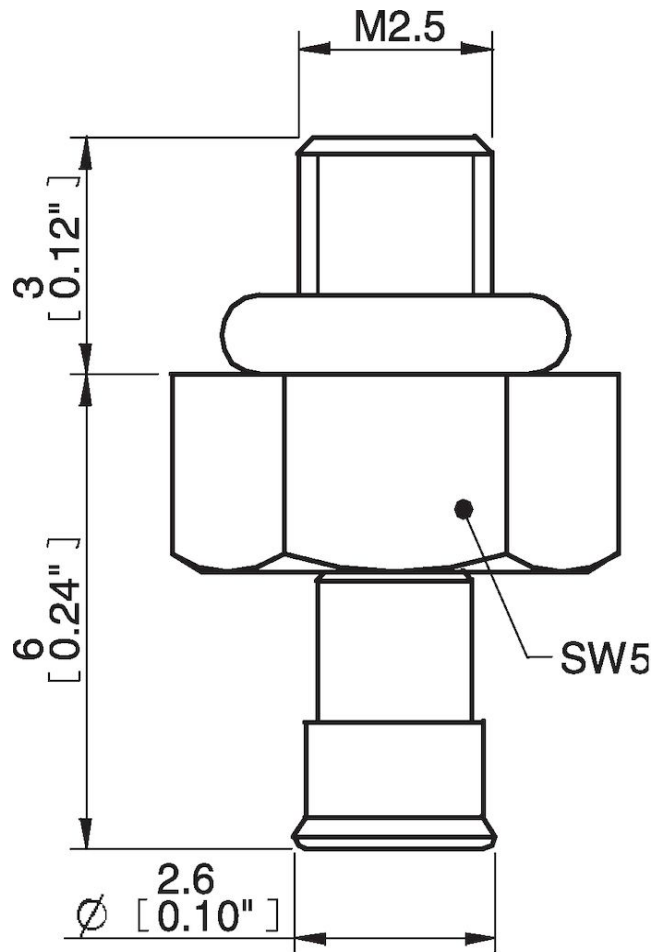
U2	Vertical (lb)	Parallel (lb)
5.91 -inHg	0.0067	
17.72 -inHg	0.022	
26.58 -inHg	0.034	

Material	
Name	Conductive Silicone (CSIL)
Color	Black
Temperature, min. °F	-67.0
Temperature max. °F	446.0
Hardness °Shore A	50

Material resistance

Alcohol	Good
Concentrated acids	Poor
Ethanol	n/a
Hydrolysis	Fair
Methanol	n/a
Oil	Poor
Oxidation	Excellent
Gasoline	Poor
Wear resistance	Good
Weather and ozone	Excellent

Dimensional drawings



Values specified in this data sheet are tested at (unless otherwise stated):

- Room temperature (20°C [68°F] ± 3°C [5.5°F]).
- Standard atmosphere (101.3 [29.9 inHg] ± 1.0 kPa [0.3 inHg]).
- Relative humidity 20-70%.
- Compressed air quality, DIN ISO 8573-1 class 4.

Spare parts

U2.25 | Suction cup U2 Conductive silicone