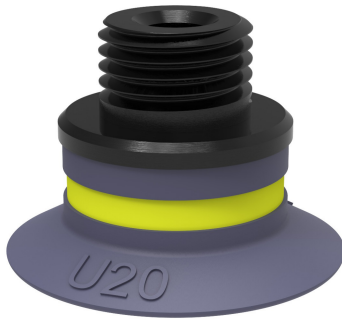


Datasheet

Suction cup U20 HNBR, G1/8" male/M5 female, with mesh filter

Item number: U20.47.02AF

- Suitable for objects with flat or slightly curved surfaces.
- Also used for concave objects.



Technical data

Description	Unit	Value
Suction cup shape	-	Universal
Application	-	Plastic injection molded parts, Glass handling, High/low temp cup, Mark Free
Suction cup design	-	Round
Characteristics	-	Plastic injection molded parts, Glass handling, High/low temp cup , Mark free
Material	-	HNBR
Weight, min.	oz	0.042
Suction cup model	-	U
Volume	in ³	0.061
Height	in	0.61
Outer diameter, min.	in	0.87
Fitting size	-	1/8", M5
Fitting option	-	Filter mesh
Fitting style	-	Female/Male
Fitting type	-	G-thread, M-thread
Suction cup model	-	U20
Movement, vertical max.	in	0.098
Curve radius, min.	in	0.51

Performance - Lifting forces

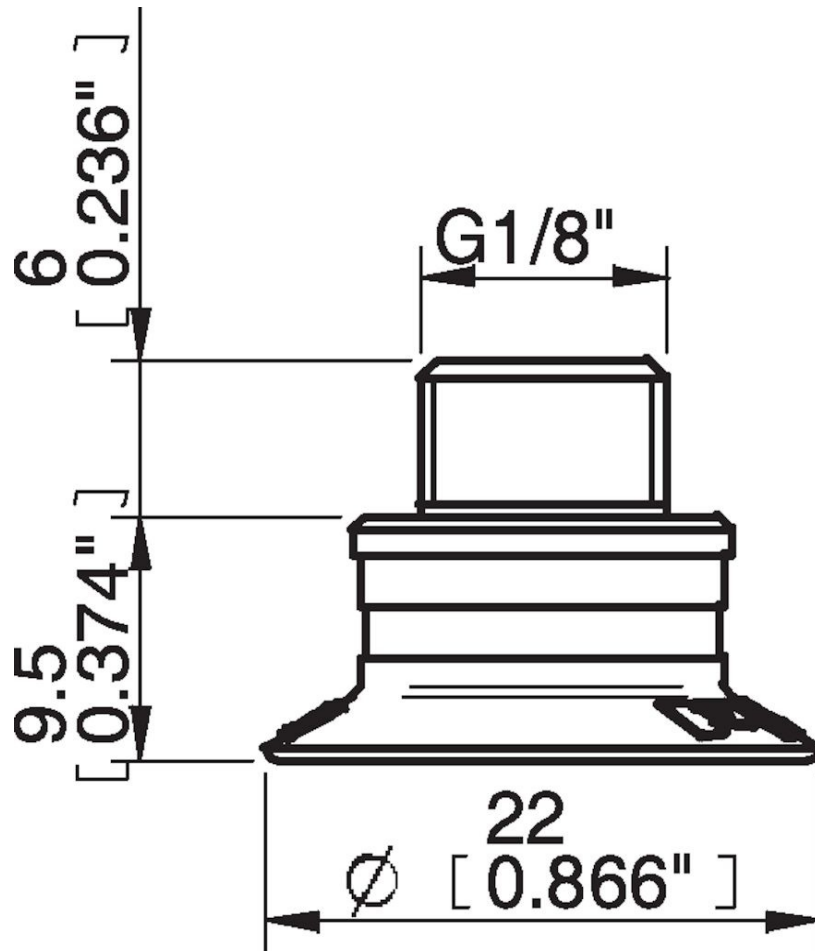
U20	Vertical (lb)	Parallel (lb)
5.91 -inHg	1.33	1.33
17.72 -inHg	2.70	1.98
26.58 -inHg	3.60	2.20

Material	
Name	HNBR 50° Shore A
Color	Blue
Temperature, min. °F	-22.0
Temperature max. °F	284.0
Hardness °Shore A	50

Material resistance

Alcohol	Good
Concentrated acids	Fair
Ethanol	n/a
Hydrolysis	Good
Methanol	n/a
Oil	Excellent
Oxidation	Excellent
Gasoline	Excellent
Wear resistance	Excellent
Weather and ozone	Excellent

Dimensional drawings



Values specified in this data sheet are tested at (unless otherwise stated):

- Room temperature (20°C [68°F] ± 3°C [5.5°F]).
- Standard atmosphere (101.3 [29.9 inHg] ± 1.0 kPa [0.3 inHg]).
- Relative humidity 20-70%.
- Compressed air quality, DIN ISO 8573-1 class 4.

Accessories

02AE | Fitting 5xM5 female

U20.10 | Suction cup U20 Chloroprene

U20.20 | Suction cup U20 Silicone

02CD | Fitting G1/8" male/M5 female, PA

02AA | Fitting M5 female

02AD | Fitting G1/8" male/M5 female

02AB | Fitting G1/8" male, with mesh filter

02AC | Fitting 1/8" NPT male, with mesh filter

02DA | Fitting M5 female, with dual flow control valve

02DC | Fitting 1/8" NPT male, with dual flow control valve

02DD | Fitting G1/8" male/M5 female, with dual flow control valve

02DE | Fitting 5xM5 female, with dual flow control valve

Spare parts

02AF | Fitting G1/8" male/M5 female, with mesh filter

U20.47 | Suction cup U20 HNBR