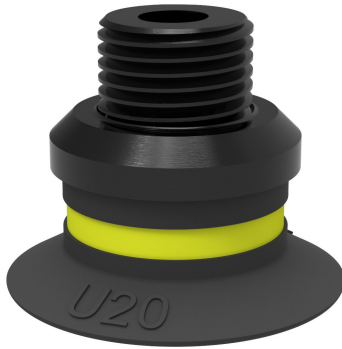


# Datasheet

## Suction cup U20 Chloroprene, G1/8" male/M5 female, PA

Item number: U20.10.02CD

- Suitable for objects with flat or slightly curved surfaces.
- Also used for concave objects.



### Technical data

| Description             | Unit            | Value              |
|-------------------------|-----------------|--------------------|
| Suction cup shape       | -               | Universal          |
| Application             | -               | Dry sheet metal    |
| Suction cup design      | -               | Round              |
| Characteristics         | -               | Dry sheet metal    |
| Material                | -               | Chloroprene (CR)   |
| Weight, min.            | oz              | 0.042              |
| Suction cup model       | -               | U                  |
| Volume                  | in <sup>3</sup> | 0.061              |
| Height                  | in              | 0.69               |
| Outer diameter, min.    | in              | 0.87               |
| Fitting size            | -               | 1/8", M5           |
| Fitting option          | -               | None               |
| Fitting style           | -               | Female/Male        |
| Fitting type            | -               | G-thread, M-thread |
| Suction cup model       | -               | U20                |
| Movement, vertical max. | in              | 0.098              |
| Curve radius, min.      | in              | 0.51               |

### Performance - Lifting forces

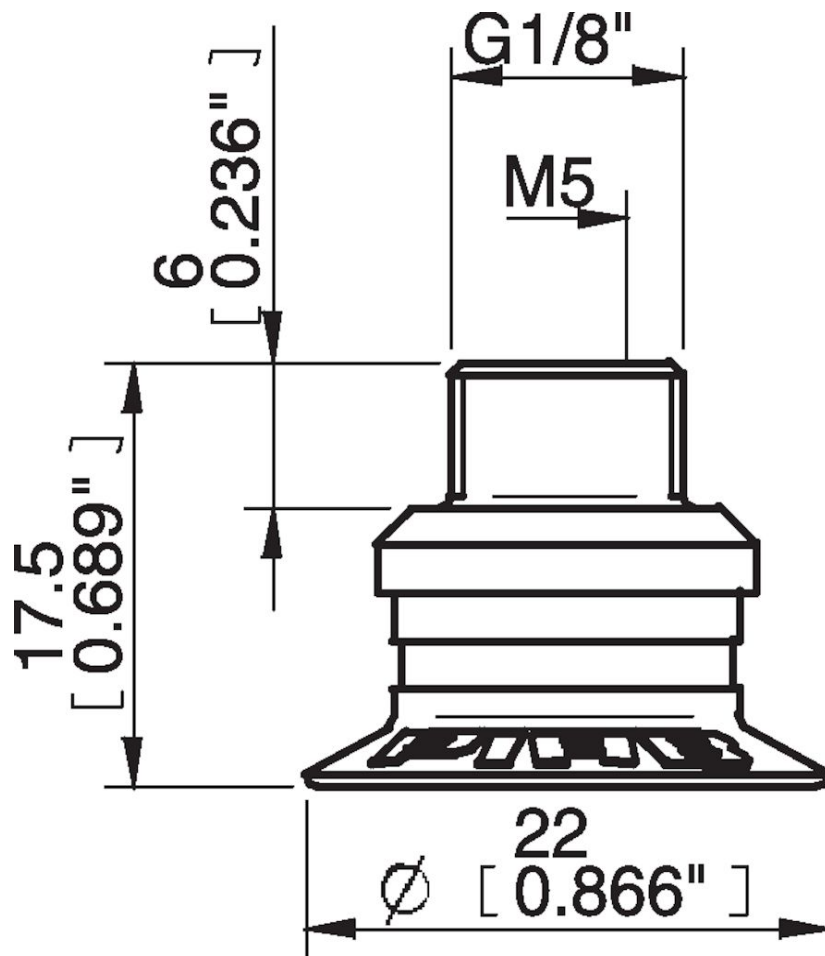
| U20         | Vertical (lb) | Parallel (lb) |
|-------------|---------------|---------------|
| 5.91 -inHg  | 1.33          | 1.33          |
| 17.72 -inHg | 2.70          | 1.98          |
| 26.58 -inHg | 3.60          | 2.20          |

| Material               |                              |
|------------------------|------------------------------|
| Name                   | Chloroprene (CR) 50° Shore A |
| Color                  | Black                        |
| Temperature, min.   °F | -40.0                        |
| Temperature max.   °F  | 230.0                        |
| Hardness   °Shore A    | 50                           |

### Material resistance

|                    |           |
|--------------------|-----------|
| Alcohol            | Good      |
| Concentrated acids | Poor      |
| Ethanol            | n/a       |
| Hydrolysis         | Good      |
| Methanol           | n/a       |
| Oil                | Fair      |
| Oxidation          | Good      |
| Gasoline           | Fair      |
| Wear resistance    | Excellent |
| Weather and ozone  | Good      |

### Dimensional drawings



### Values specified in this data sheet are tested at (unless otherwise stated):

- Room temperature (20°C [68°F] ± 3°C [5.5°F]).
- Standard atmosphere (101.3 [29.9 inHg] ± 1.0 kPa [0.3 inHg]).
- Relative humidity 20-70%.
- Compressed air quality, DIN ISO 8573-1 class 4.

**Accessories**

02AE | Fitting 5xM5 female

U20.20 | Suction cup U20 Silicone

02AF | Fitting G1/8" male/M5 female, with mesh filter

U20.47 | Suction cup U20 HNBR

02AA | Fitting M5 female

02AD | Fitting G1/8" male/M5 female

02AB | Fitting G1/8" male, with mesh filter

02AC | Fitting 1/8" NPT male, with mesh filter

02DA | Fitting M5 female, with dual flow control valve

02DC | Fitting 1/8" NPT male, with dual flow control valve

02DD | Fitting G1/8" male/M5 female, with dual flow control valve

02DE | Fitting 5xM5 female, with dual flow control valve

**Spare parts**

U20.10 | Suction cup U20 Chloroprene

02CD | Fitting G1/8" male/M5 female, PA