

Datasheet

Suction cup U20-2P Polyurethane 50, 1/8" Male

Item number: U20-2P.4D.02AI



- Long-life suction cup
- Suitable for several book binding applications
- Easy to handle different paper qualities due to the three different shore ratings
- DURAFLEX® are suction cups manufactured in a specially developed material that features the elasticity of rubber and wear resistance of polyurethane

Technical data

Description	Unit	Value
Suction cup shape	-	Universal
Application	-	Thin paper / slip sheets / film
Suction cup design	-	Round
Characteristics	-	Bag opening/thin paper - slip sheets/film
Material	-	Polyurethane (PU)
Weight, min.	oz	0.15
Suction cup model	-	U-P
Volume	in ³	0.043
Height	in	0.90
Outer diameter, min.	in	0.81
Fitting size	-	1/8"
Fitting option	-	None
Fitting style	-	Male
Fitting type	-	G-thread
Suction cup model	-	U20-2P PU40
Movement, vertical max.	in	0.20
Curve radius, min.	in	0.35

Performance - Lifting forces

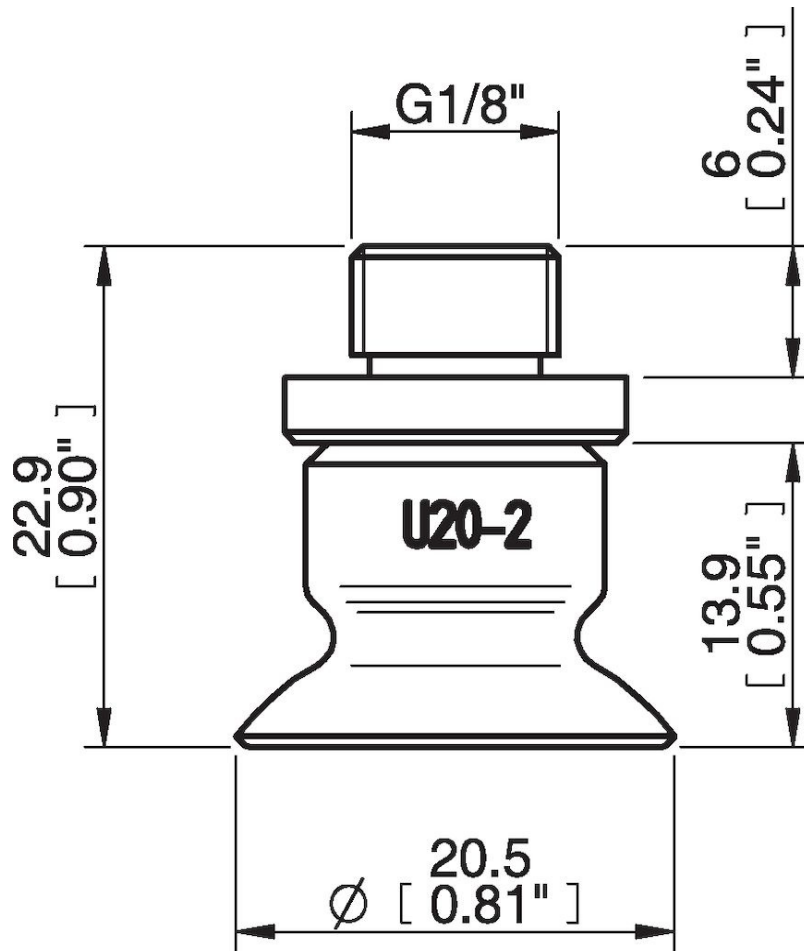
U20-2P PU40	Vertical (lb)	Parallel (lb)
5.91 -inHg	0.67	0.34
17.72 -inHg	2.36	0.67
26.58 -inHg	3.15	1.35

Material	
Name	Polyurethane (PU50)
Color	Blue transparent
Temperature, min. °F	50.0
Temperature max. °F	122.0
Hardness °Shore A	50

Material resistance

Alcohol	n/a
Concentrated acids	Fair
Ethanol	Fair
Hydrolysis	Fair
Methanol	Poor
Oil	Excellent
Oxidation	Poor
Gasoline	Fair
Wear resistance	Excellent
Weather and ozone	Excellent

Dimensional drawings



Values specified in this data sheet are tested at (unless otherwise stated):

- Room temperature (20°C [68°F] ± 3°C [5.5°F]).
- Standard atmosphere (101.3 [29.9 inHg] ± 1.0 kPa [0.3 inHg]).
- Relative humidity 20-70%.
- Compressed air quality, DIN ISO 8573-1 class 4.