

Suction cup U10 HNBR, M5 male

Item number: U10.47.01AC



- Suitable for objects with flat or slightly curved surfaces.
- Also used for concave objects.

Technical data

Description	Unit	Value
Suction cup shape	-	Universal
Application	-	Plastic injection molded parts, Glass handling, High/low temp cup, Mark Free
Suction cup design	-	Round
Characteristics	-	Plastic injection molded parts, Glass handling, High/low temp cup , Mark free
Material	-	HNBR
Weight, min.	oz	0.023
Suction cup model	-	U
Volume	in ³	0.011
Height	in	0.75
Outer diameter, min.	in	0.43
Fitting size	-	None
Fitting option	-	None
Fitting style	-	Male
Fitting type	-	M-thread
Suction cup model	-	U10
Movement, vertical max.	in	0.020
Curve radius, min.	in	0.31

Performance - Lifting forces

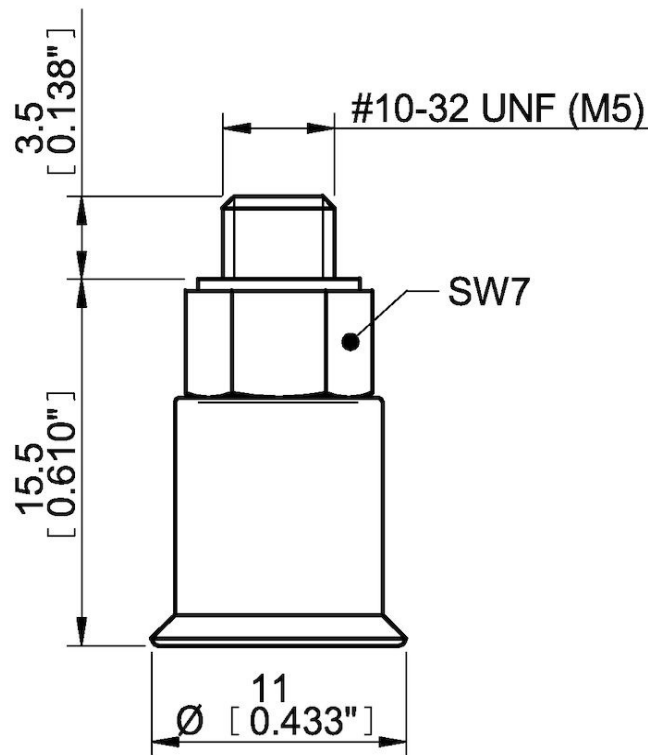
U10	Vertical (lb)	Parallel (lb)
5.91 -inHg	0.34	0.36
17.72 -inHg	0.99	0.79
26.58 -inHg	1.55	1.079

Material	
Name	HNBR 50° Shore A
Color	Blue
Temperature, min. °F	-22.0
Temperature max. °F	284.0
Hardness °Shore A	50

Material resistance

Alcohol	Good
Concentrated acids	Fair
Ethanol	n/a
Hydrolysis	Good
Methanol	n/a
Oil	Excellent
Oxidation	Excellent
Gasoline	Excellent
Wear resistance	Excellent
Weather and ozone	Excellent

Dimensional drawings



Values specified in this data sheet are tested at (unless otherwise stated):

- Room temperature (20°C [68°F] ± 3°C [5.5°F]).
- Standard atmosphere (101.3 [29.9 inHg] ± 1.0 kPa [0.3 inHg]).
- Relative humidity 20-70%.
- Compressed air quality, DIN ISO 8573-1 class 4.

Accessories

U10.10 | Suction cup U10 Chloroprene

U10.20 | Suction cup U10 Silicone

Spare parts

U10.47 | Suction cup U10 HNBR

01AC | Fitting M5 male, 10–15