

# Datasheet

## Vacuum filter 3/8" NPT

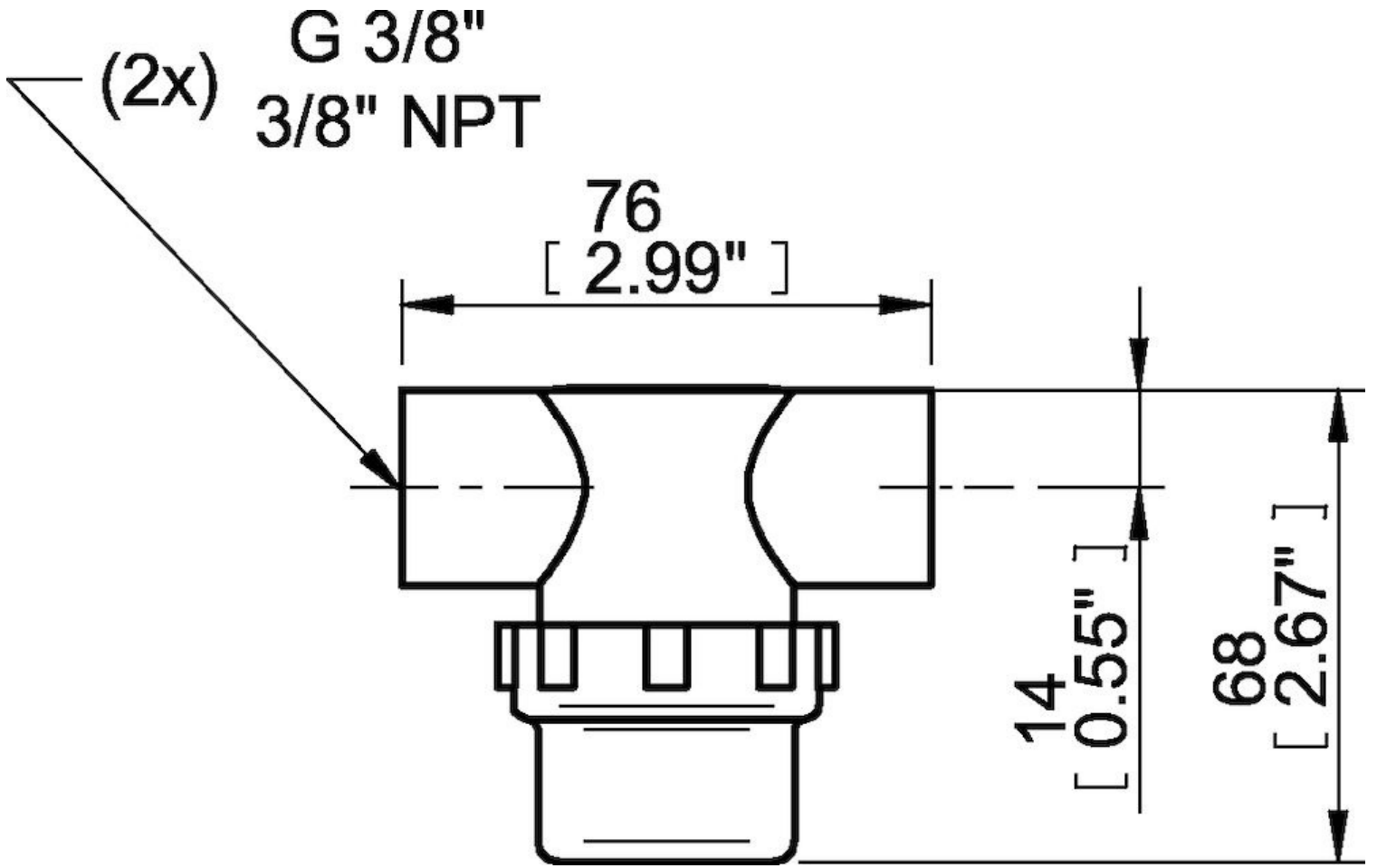
Item number: PPSF.375-X10



### Technical data

Description	Unit	Value
Material	-	PA, PE, PP
Temperature, max.	°F	176.0
Temperature, min.	°F	-4.0
Weight, min.	oz	2.57
Flow	scfm	5.30
Pressure, max.	psi	0.000
Filter area	in <sup>2</sup>	4.65
Pressure, min.	psi	-0.014
Removal efficiency	[?]	10

Dimensional drawings



Spare parts

PPX10RE3 | Filter element 1/8" & 1/4" & 3/8" (10 µm), 3 pcs