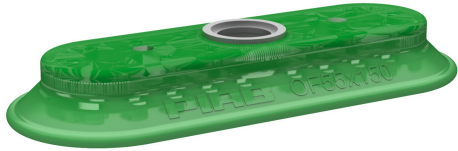


Datasheet

Suction cup OF55x150P Polyurethane 60 with collar for Vacuum Gripper System (VGS)

Item number: OF55X150P.5E



- Suitable for flat and rough surfaces.
- Fair stability and little inherent movement.
- Recommended when the lifting force is parallel to the surface of the object.
- Cleats prevent thin, sensitive objects from being deformed and give extra friction when the lifting force is parallel to the surface of the object.
- DURAFLEX® material features the elasticity of rubber in combination with the wear resistance of polyurethane.
- The DURAFLEX® material is mark-free.

Technical data

Description	Unit	Value
Suction cup shape	-	Flat
Application	-	Mark Free
Suction cup design	-	Oval
Characteristics	-	Mark free
Material	-	Polyurethane (PU)
Weight, min.	oz	3.84
Suction cup model	-	OF
Volume	in ³	2.26
Height	in	0.83
Length	in	6.063
Outer diameter, min.	in	6.063
Fitting size	-	None
Fitting option	-	None
Fitting style	-	None
Fitting type	-	None
Width	in	2.32
Suction cup model	-	OF55x150P PU60
Movement, vertical max.	in	0.12
Curve radius, min.	in	5.91

Performance - Lifting forces

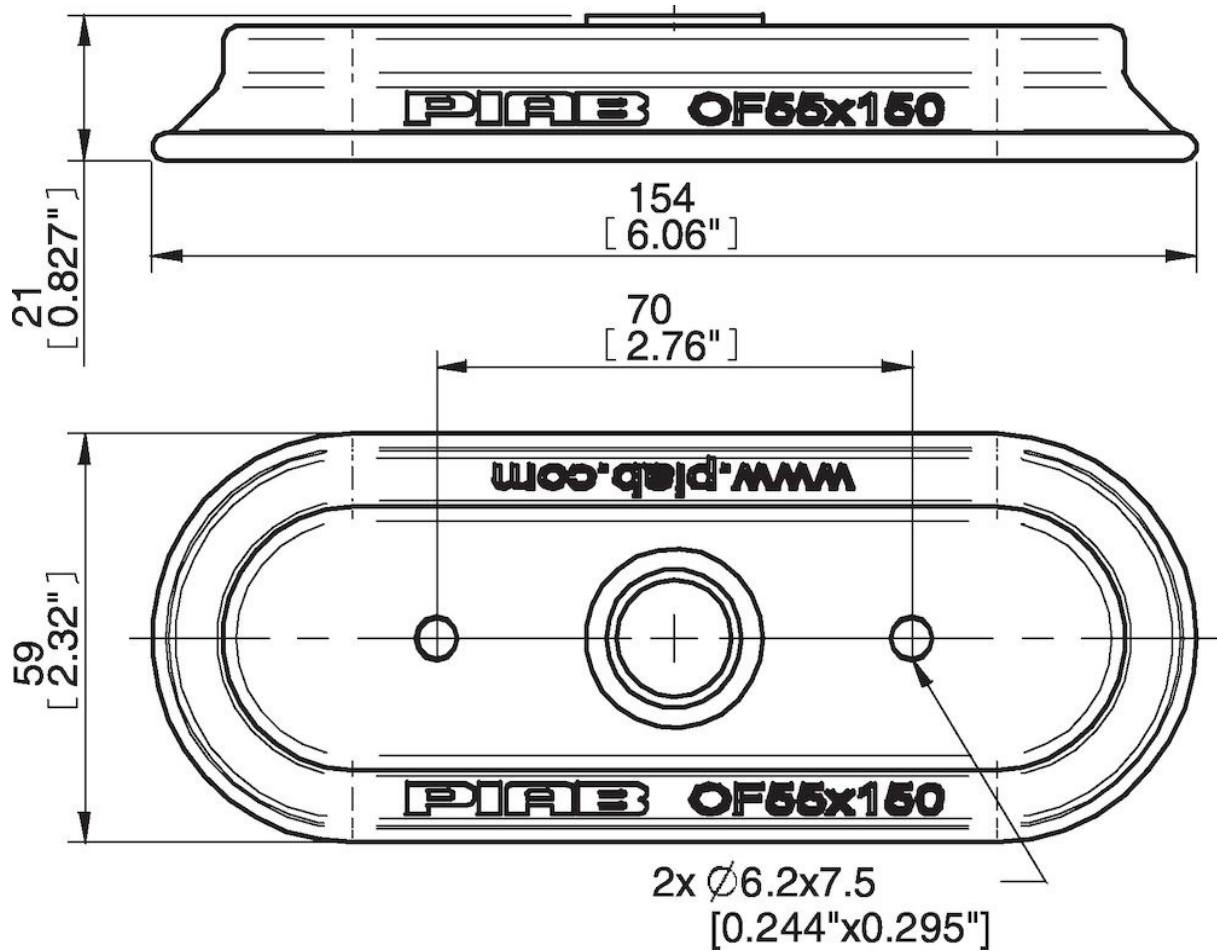
OF55x150P PU60	Vertical (lb)	Parallel (lb)
5.91 -inHg	30.12	28.78
17.72 -inHg	84.53	75.99
26.58 -inHg	125.44	107.23

Material	
Name	Polyurethane (PU60)
Color	Green transparent
Temperature, min. °F	50.0
Temperature max. °F	122.0
Hardness °Shore A	60

Material resistance

Alcohol	n/a
Concentrated acids	Fair
Ethanol	Fair
Hydrolysis	Fair
Methanol	Poor
Oil	Excellent
Oxidation	Poor
Gasoline	Fair
Wear resistance	Excellent
Weather and ozone	Excellent

Dimensional drawings



Values specified in this data sheet are tested at (unless otherwise stated):

- Room temperature (20°C [68°F] ± 3°C [5.5°F]).
- Standard atmosphere (101.3 [29.9 inHg] ± 1.0 kPa [0.3 inHg]).
- Relative humidity 20-70%.
- Compressed air quality, DIN ISO 8573-1 class 4.

Accessories

01.07.148 | Thread insert G3/8" male, with O-ring and mesh filter for Vacuum Gripper System (VGS)