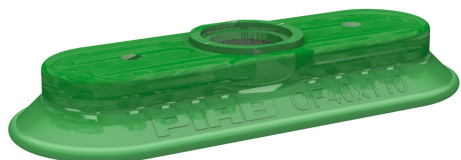


## Datasheet

# Suction cup OF40x110P Polyurethane 60 with collar for Vacuum Gripper System (VGS)

Item number: OF40X110P.5E



- Suitable for flat and rough surfaces.
- Fair stability and little inherent movement.
- Recommended when the lifting force is parallel to the surface of the object.
- Cleats prevent thin, sensitive objects from being deformed and give extra friction when the lifting force is parallel to the surface of the object.
- DURAFLEX® material features the elasticity of rubber in combination with the wear resistance of polyurethane.
- The DURAFLEX® material is mark-free.

### Technical data

Description	Unit	Value
Suction cup shape	-	Flat
Application	-	Mark Free
Suction cup design	-	Oval
Characteristics	-	Mark free
Material	-	Polyurethane (PU)
Weight, min.	oz	1.69
Suction cup model	-	OF
Volume	in <sup>3</sup>	1.28
Height	in	0.69
Length	in	4.45
Outer diameter, min.	in	4.45
Fitting size	-	None
Fitting option	-	None
Fitting style	-	None
Fitting type	-	None
Width	in	1.69
Suction cup model	-	OF40x110P PU60
Movement, vertical max.	in	0.12
Curve radius, min.	in	3.031

### Performance - Lifting forces

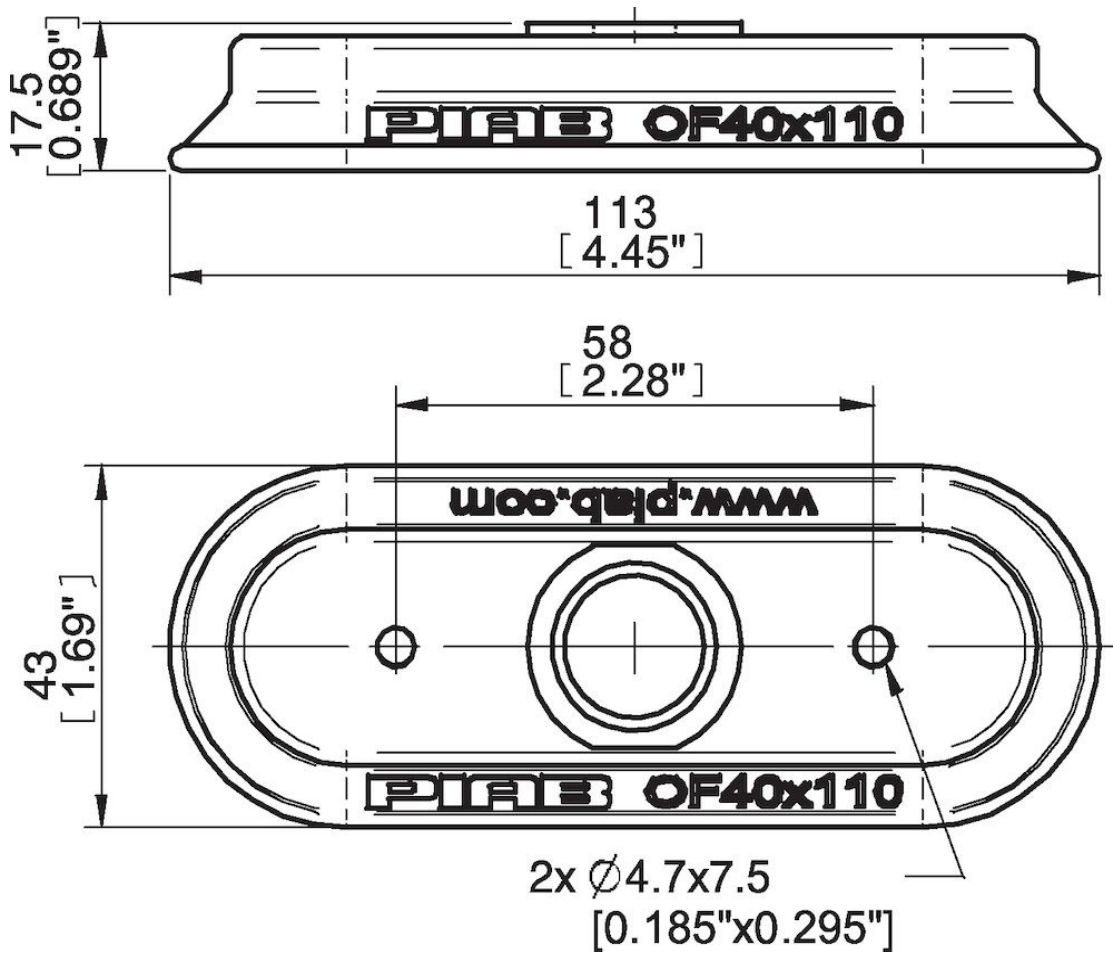
OF40x110P PU60	Vertical (lb)	Parallel (lb)
5.91 -inHg	16.64	22.031
17.72 -inHg	44.96	51.26
26.58 -inHg	68.12	92.17

<b>Material</b>	
Name	Polyurethane (PU60)
Color	Green transparent
Temperature, min.   °F	50.0
Temperature max.   °F	122.0
Hardness   °Shore A	60

**Material resistance**

Alcohol	n/a
Concentrated acids	Fair
Ethanol	Fair
Hydrolysis	Fair
Methanol	Poor
Oil	Excellent
Oxidation	Poor
Gasoline	Fair
Wear resistance	Excellent
Weather and ozone	Excellent

**Dimensional drawings**



**Values specified in this data sheet are tested at (unless otherwise stated):**

- Room temperature (20°C [68°F] ± 3°C [5.5°F]).
- Standard atmosphere (101.3 [29.9 inHg] ± 1.0 kPa [0.3 inHg]).
- Relative humidity 20-70%.
- Compressed air quality, DIN ISO 8573-1 class 4.

**Accessories**

01.07.148 | Thread insert G3/8" male, with O-ring and mesh filter for Vacuum Gripper System (VGS)