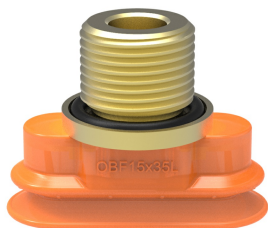


# Datasheet

## Suction cup OBF15x35P L Polyurethane 60, M10x1.5 male

Item number: OBF15x35P.L.5X.M11W



### Technical data

Description	Unit	Value
Suction cup shape	-	Bellows
Application	-	Oily sheet metal
Suction cup design	-	Oval
Characteristics	-	Oily sheet metal
Material	-	Polyurethane (PU)
Weight, min.	oz	0.85
Suction cup model	-	OBF
Volume	in <sup>3</sup>	0.079
Height	in	1.11
Length	in	1.42
Fitting size	-	M10×1.5
Fitting option	-	None
Fitting style	-	Male
Fitting type	-	M-thread
Width	in	0.59
Length, actuated	in	1.44
Width, actuated	in	0.59
Fitting material	-	Brass
Suction cup model	-	OBF15x35P L Oily metal sheet
Movement, vertical max.	in	0.11
Curve radius, min.	in	0.79
Suction cup model	-	OBF15x35P L Dry metal sheet
Movement, vertical max.	in	0.11
Curve radius, min.	in	0.79

### Performance - Lifting forces

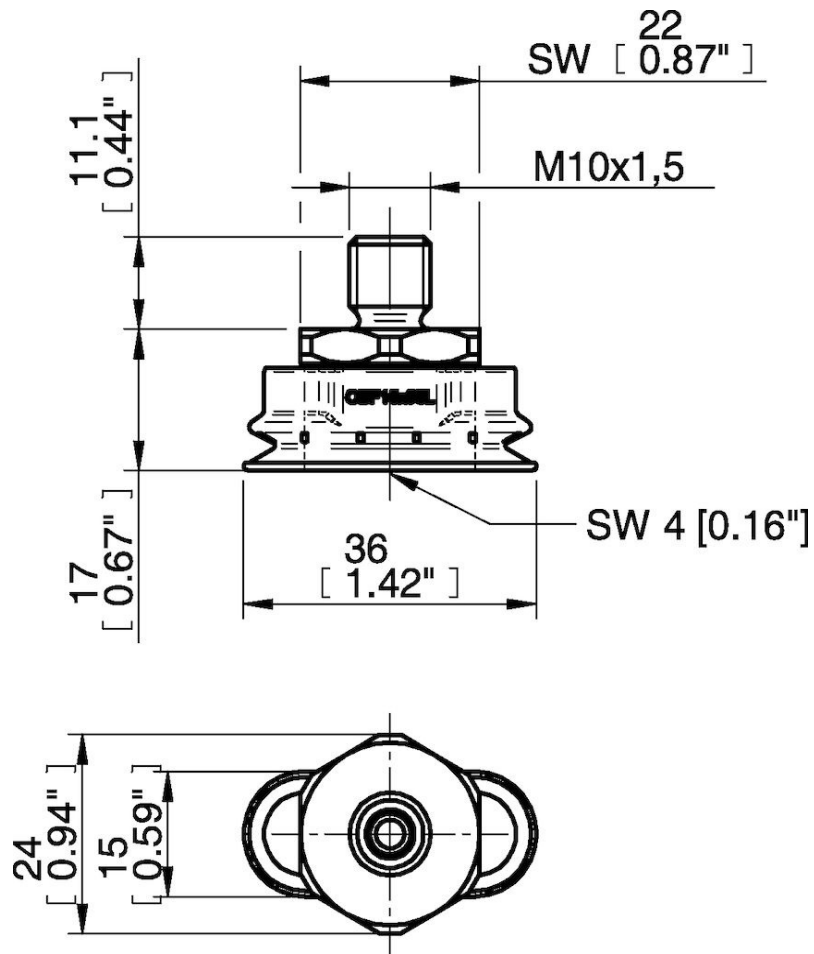
	Vertical (lb)	Parallel (lb)
OBF15x35P L Oily metal sheet		
17.72 -inHg	4.27	1.12
26.58 -inHg	5.40	1.35
OBF15x35P L Dry metal sheet		
17.72 -inHg	5.62	4.72
26.58 -inHg	6.97	5.62

Material	
Name	Polyurethane (PU60)
Color	Orange
Temperature, min.   °F	50.0
Temperature max.   °F	122.0
Hardness   °Shore A	60

### Material resistance

Alcohol	n/a
Concentrated acids	Fair
Ethanol	Fair
Hydrolysis	Fair
Methanol	Poor
Oil	Excellent
Oxidation	Poor
Gasoline	Fair
Wear resistance	Excellent
Weather and ozone	Excellent

### Dimensional drawings



### Values specified in this data sheet are tested at (unless otherwise stated):

- Room temperature (20°C [68°F] ± 3°C [5.5°F]).
- Standard atmosphere (101.3 [29.9 inHg] ± 1.0 kPa [0.3 inHg]).
- Relative humidity 20-70%.
- Compressed air quality, DIN ISO 8573-1 class 4.