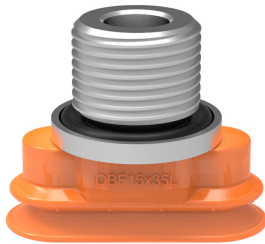


# Datasheet

## Suction cup OBF15x35P L Polyurethane 60, G3/8" male

Item number: OBF15x35P.L.5X.G82W



### Technical data

| Description             | Unit            | Value                        |
|-------------------------|-----------------|------------------------------|
| Suction cup shape       | -               | Bellows                      |
| Application             | -               | Oily sheet metal             |
| Suction cup design      | -               | Oval                         |
| Characteristics         | -               | Oily sheet metal             |
| Material                | -               | Polyurethane (PU)            |
| Weight, min.            | oz              | 0.49                         |
| Suction cup model       | -               | OBF                          |
| Volume                  | in <sup>3</sup> | 0.079                        |
| Height                  | in              | 1.067                        |
| Length                  | in              | 1.42                         |
| Fitting size            | -               | 3/8"                         |
| Fitting option          | -               | None                         |
| Fitting style           | -               | Male                         |
| Fitting type            | -               | G-thread                     |
| Width                   | in              | 0.59                         |
| Length, actuated        | in              | 1.44                         |
| Width, actuated         | in              | 0.59                         |
| Fitting material        | -               | Al                           |
| Suction cup model       | -               | OBF15x35P L Oily metal sheet |
| Movement, vertical max. | in              | 0.11                         |
| Curve radius, min.      | in              | 0.79                         |
| Suction cup model       | -               | OBF15x35P L Dry metal sheet  |
| Movement, vertical max. | in              | 0.11                         |
| Curve radius, min.      | in              | 0.79                         |

### Performance - Lifting forces

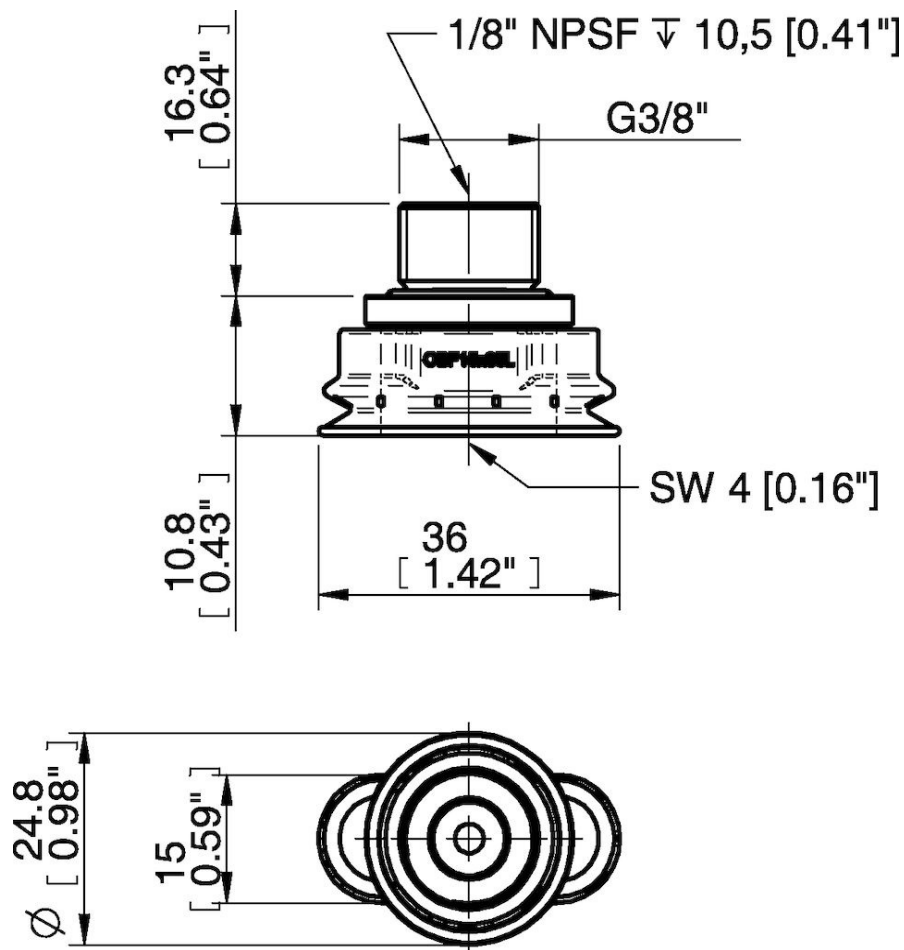
|                              | Vertical (lb) | Parallel (lb) |
|------------------------------|---------------|---------------|
| OBF15x35P L Oily metal sheet |               |               |
| 17.72 -inHg                  | 4.27          | 1.12          |
| 26.58 -inHg                  | 5.40          | 1.35          |
| OBF15x35P L Dry metal sheet  |               |               |
| 17.72 -inHg                  | 5.62          | 4.72          |
| 26.58 -inHg                  | 6.97          | 5.62          |

| Material               |                     |
|------------------------|---------------------|
| Name                   | Polyurethane (PU60) |
| Color                  | Orange              |
| Temperature, min.   °F | 50.0                |
| Temperature max.   °F  | 122.0               |
| Hardness   °Shore A    | 60                  |

### Material resistance

|                    |           |
|--------------------|-----------|
| Alcohol            | n/a       |
| Concentrated acids | Fair      |
| Ethanol            | Fair      |
| Hydrolysis         | Fair      |
| Methanol           | Poor      |
| Oil                | Excellent |
| Oxidation          | Poor      |
| Gasoline           | Fair      |
| Wear resistance    | Excellent |
| Weather and ozone  | Excellent |

### Dimensional drawings



### Values specified in this data sheet are tested at (unless otherwise stated):

- Room temperature (20°C [68°F]  $\pm$  3°C [5.5°F]).
- Standard atmosphere (101.3 [29.9 inHg]  $\pm$  1.0 kPa [0.3 inHg]).
- Relative humidity 20-70%.
- Compressed air quality, DIN ISO 8573-1 class 4.