

Datasheet

Suction cup OBF15x35P L Polyurethane 60, G3/8" fem 17mm

Item number: OBF15x35P.L.5X.G81W



Technical data

Description	Unit	Value
Suction cup shape	-	Bellows
Application	-	Oily sheet metal
Suction cup design	-	Oval
Characteristics	-	Oily sheet metal
Material	-	Polyurethane (PU)
Weight, min.	oz	0.71
Suction cup model	-	OBF
Volume	in ³	0.079
Height	in	1.46
Length	in	1.42
Fitting size	-	3/8"
Fitting option	-	None
Fitting style	-	Female
Fitting type	-	G-thread
Width	in	0.59
Length, actuated	in	1.44
Width, actuated	in	0.59
Fitting material	-	Al
Suction cup model	-	OBF15x35P L Oily metal sheet
Movement, vertical max.	in	0.11
Curve radius, min.	in	0.79
Suction cup model	-	OBF15x35P L Dry metal sheet
Movement, vertical max.	in	0.11
Curve radius, min.	in	0.79

Performance - Lifting forces

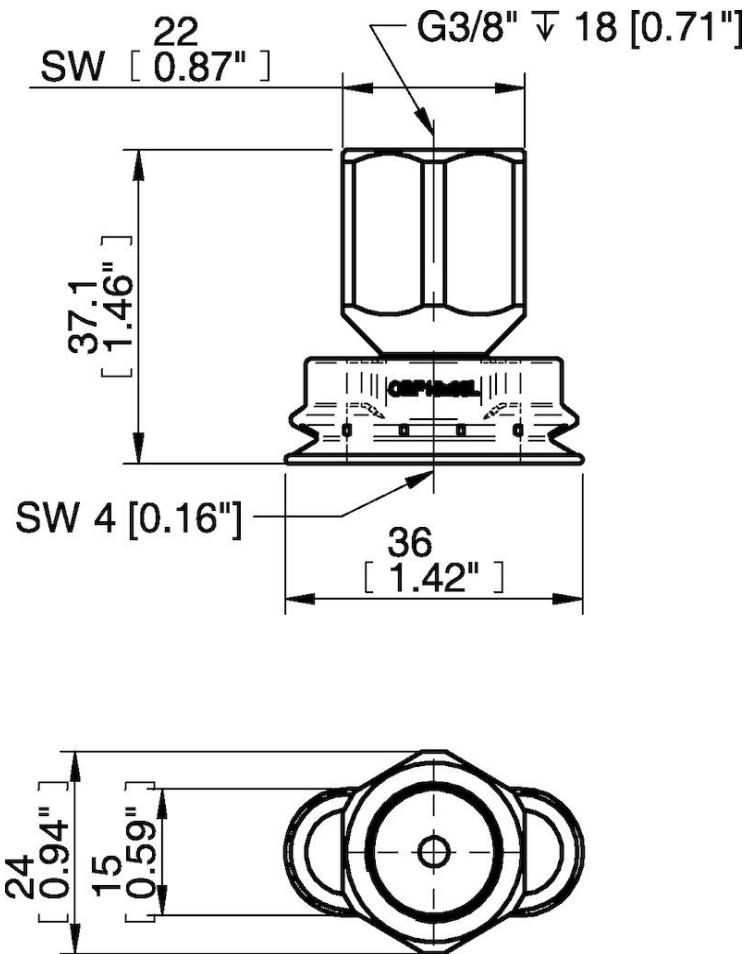
	Vertical (lb)	Parallel (lb)
OBF15x35P L Oily metal sheet		
17.72 -inHg	4.27	1.12
26.58 -inHg	5.40	1.35
OBF15x35P L Dry metal sheet		
17.72 -inHg	5.62	4.72
26.58 -inHg	6.97	5.62

Material	
Name	Polyurethane (PU60)
Color	Orange
Temperature, min. °F	50.0
Temperature max. °F	122.0
Hardness °Shore A	60

Material resistance

Alcohol	n/a
Concentrated acids	Fair
Ethanol	Fair
Hydrolysis	Fair
Methanol	Poor
Oil	Excellent
Oxidation	Poor
Gasoline	Fair
Wear resistance	Excellent
Weather and ozone	Excellent

Dimensional drawings



Values specified in this data sheet are tested at (unless otherwise stated):

- Room temperature (20°C [68°F] ± 3°C [5.5°F]).
- Standard atmosphere (101.3 [29.9 inHg] ± 1.0 kPa [0.3 inHg]).
- Relative humidity 20-70%.
- Compressed air quality, DIN ISO 8573-1 class 4.