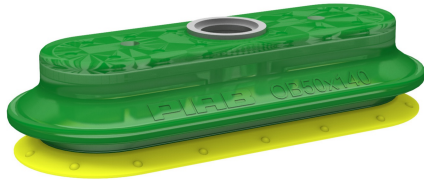


Datasheet

Suction cup OB50x140P Polyurethane 30/60 with collar for Vacuum Gripper System (VGS)

Item number: OB50X140P.5K



- Suitable for level adjustment. Can handle objects with height differences and varying shapes, for example embossed or corrugated plates.
- Lifting movement to separate small and thin objects.
- Dual hardness allowing strength and stability in conjunction with softness and flexibility.
- DURAFLEX® material features the elasticity of rubber in combination with the wear resistance of polyurethane.
- The DURAFLEX® material is mark-free.

Technical data

Description	Unit	Value
Suction cup shape	-	Bellows
Application	-	Corrugated cardboard/Paperboard
Suction cup design	-	Oval
Characteristics	-	Corrugated / cardboard
Material	-	Polyurethane (PU)
Weight, min.	oz	4.55
Suction cup model	-	OB
Volume	in ³	5.80
Height	in	1.36
Length	in	5.75
Outer diameter, min.	in	5.75
Fitting size	-	None
Fitting option	-	None
Fitting style	-	None
Fitting type	-	None
Width	in	2.32
Suction cup model	-	OB50x140P PU30 PU60
Movement, vertical max.	in	0.44
Curve radius, min.	in	0.91

Performance - Lifting forces

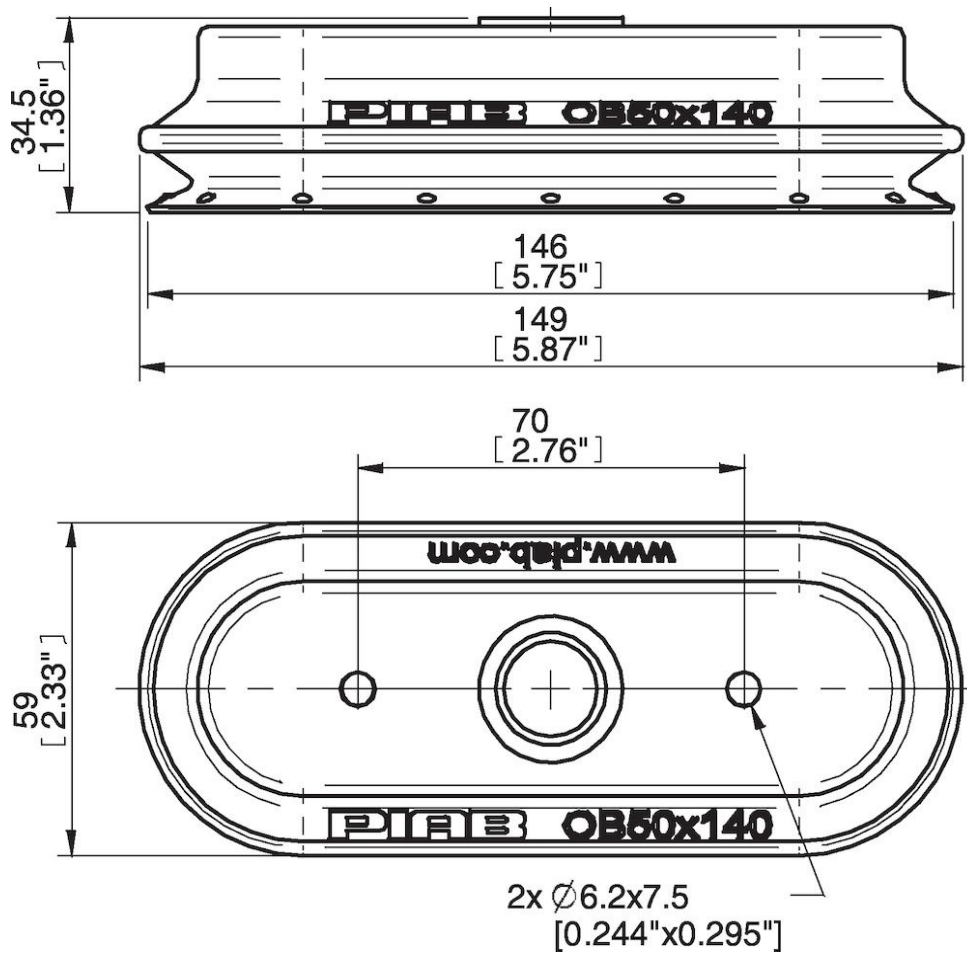
OB50x140P PU30 PU60	Vertical (lb)	Parallel (lb)
5.91 -inHg	13.039	24.73
17.72 -inHg	52.83	58.45
26.58 -inHg	82.28	78.46

Material		
Name	Polyurethane (PU30)	Polyurethane (PU60)
Color	Yellow	Green transparent
Temperature, min. °F	50.0	50.0
Temperature max. °F	122.0	122.0
Hardness °Shore A	30	60

Material resistance

Alcohol	n/a	n/a
Concentrated acids	Fair	Fair
Ethanol	Fair	Fair
Hydrolysis	Fair	Fair
Methanol	Poor	Poor
Oil	Excellent	Excellent
Oxidation	Poor	Poor
Gasoline	Fair	Fair
Wear resistance	Excellent	Excellent
Weather and ozone	Excellent	Excellent

Dimensional drawings



Values specified in this data sheet are tested at (unless otherwise stated):

- Room temperature (20°C [68°F] ± 3°C [5.5°F]).
- Standard atmosphere (101.3 [29.9 inHg] ± 1.0 kPa [0.3 inHg]).
- Relative humidity 20-70%.
- Compressed air quality, DIN ISO 8573-1 class 4.

Accessories

01.07.148 | Thread insert G3/8" male, with O-ring and mesh filter for Vacuum Gripper System (VGS)