

Datasheet

Suction cup FC35P Polyurethane 50, 1/8" NPSF female, with dual flow control valve

Item number: FC35P.4D.04DA



- Suitable for slightly domed and flat and oily surfaces, e.g., such as those encountered when handling steel sheets in press processes.
- Thanks to the high friction of the rubber material, the suction cups can withstand high forces at rapid accelerations in horizontal directions, even on oily surfaces.
- The suction cups have cleats that prevent thin objects from being disfigured.
- DURAFLEX® material features the elasticity of rubber in combination with the wear resistance of polyurethane.
- The DURAFLEX® material is mark-free.

Technical data

Description	Unit	Value
Suction cup shape	-	Flat Concave
Application	-	Dry sheet metal, Mark Free
Suction cup design	-	Round
Characteristics	-	Dry sheet metal, Mark free
Material	-	Polyurethane (PU)
Weight, min.	oz	0.21
Suction cup model	-	FC
Volume	in ³	0.31
Leakage flow, max.	scfm	0.28
Height	in	0.91
Outer diameter, min.	in	1.38
Fitting size	-	1/8"
Fitting option	-	Dual flow control valve
Fitting style	-	Female
Fitting type	-	NPSF-thread
Valve restriction	in	0.035
Suction cup model	-	FC35P PU50
Movement, vertical max.	in	0.16
Curve radius, min.	in	1.26

Performance - Lifting forces

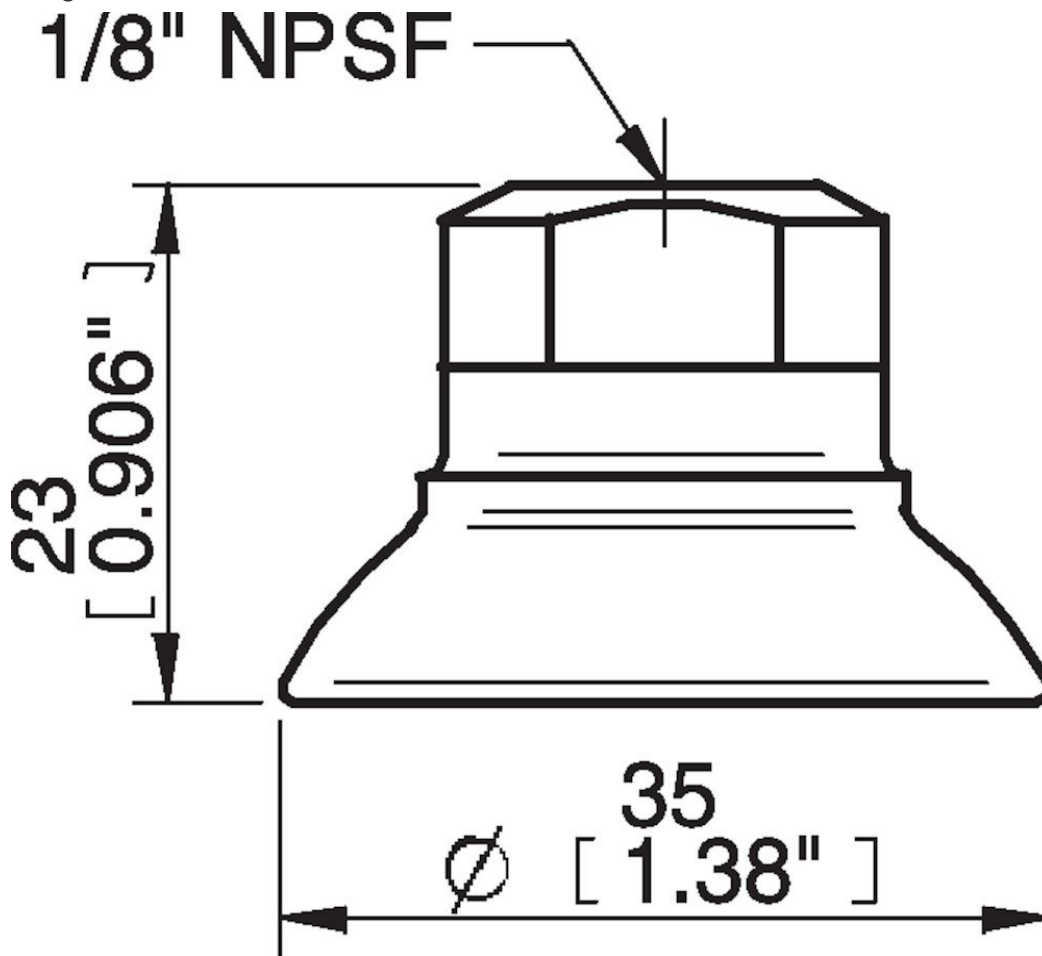
FC35P PU50	Vertical (lb)	Parallel (lb)
5.91 -inHg	2.47	6.070
17.72 -inHg	8.093	11.47
26.58 -inHg	11.47	13.94

Material	
Name	Polyurethane (PU50)
Color	Blue transparent
Temperature, min. °F	50.0
Temperature max. °F	122.0
Hardness °Shore A	50

Material resistance

Alcohol	n/a
Concentrated acids	Fair
Ethanol	Fair
Hydrolysis	Fair
Methanol	Poor
Oil	Excellent
Oxidation	Poor
Gasoline	Fair
Wear resistance	Excellent
Weather and ozone	Excellent

Dimensional drawings



Values specified in this data sheet are tested at (unless otherwise stated):

- Room temperature (20°C [68°F] ± 3°C [5.5°F]).
- Standard atmosphere (101.3 [29.9 inHg] ± 1.0 kPa [0.3 inHg]).
- Relative humidity 20-70%.
- Compressed air quality, DIN ISO 8573-1 class 4.

Accessories

04AF | Fitting 5x1/8" NPSF female, 30–40

04AG | Fitting 1/8" NPSF female, 30–40, with mesh filter

FC35P.4E | Suction cup FC35P Polyurethane 60

04AA | Fitting 1/8" NPSF female, 30–40

04AD | Fitting G3/8" male, 30–40, with mesh filter

04AE | Fitting 3/8" NPT male, with mesh filter

04AB | Fitting G1/4" male, 30–40, with mesh filter

04AC | Fitting 1/4" NPT male, with mesh filter

04DB | Fitting G1/4" male, 30–40, with dual flow control valve

04DC | Fitting 1/4" NPT male, with dual flow control valve

04DD | Fitting G3/8" male, 30–40, with dual flow control valve

04DE | Fitting 3/8" NPT male, with dual flow control valve

04DF | Fitting 5x1/8" NPSF female, 30–40, with dual flow control valve

Spare parts

FC35P.4D | Suction cup FC35P Polyurethane 50

04DA | Fitting 1/8" NPSF female, 30–40, with dual flow control valve