

# Datasheet

## Suction cup FC35P Polyurethane 50, G1/4" male, with mesh filter

Item number: FC35P.4D.04AB



- Suitable for slightly domed and flat and oily surfaces, e.g., such as those encountered when handling steel sheets in press processes.
- Thanks to the high friction of the rubber material, the suction cups can withstand high forces at rapid accelerations in horizontal directions, even on oily surfaces.
- The suction cups have cleats that prevent thin objects from being disfigured.
- DURAFLEX® material features the elasticity of rubber in combination with the wear resistance of polyurethane.
- The DURAFLEX® material is mark-free.

### Technical data

Description	Unit	Value
Suction cup shape	-	Flat Concave
Application	-	Dry sheet metal, Mark Free
Suction cup design	-	Round
Characteristics	-	Dry sheet metal, Mark free
Material	-	Polyurethane (PU)
Weight, min.	oz	0.21
Suction cup model	-	FC
Volume	in <sup>3</sup>	0.31
Height	in	1.18
Outer diameter, min.	in	1.38
Fitting size	-	1/4"
Fitting option	-	Filter mesh
Fitting style	-	Male
Fitting type	-	G-thread
Suction cup model	-	FC35P PU50
Movement, vertical max.	in	0.16
Curve radius, min.	in	1.26

### Performance - Lifting forces

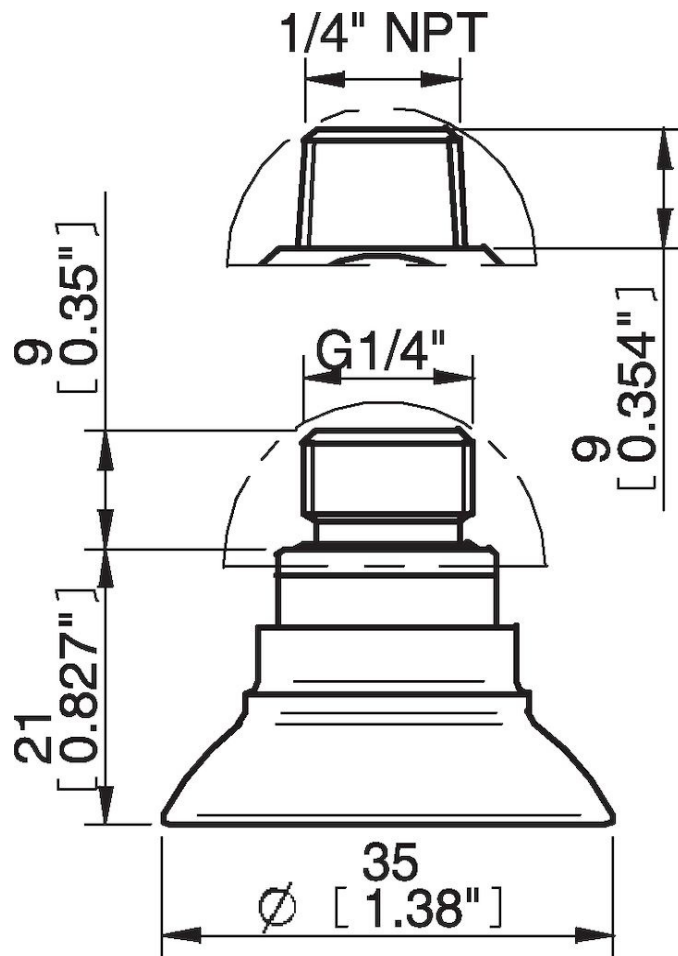
FC35P PU50	Vertical (lb)	Parallel (lb)
5.91 -inHg	2.47	6.070
17.72 -inHg	8.093	11.47
26.58 -inHg	11.47	13.94

Material	
Name	Polyurethane (PU50)
Color	Blue transparent
Temperature, min.   °F	50.0
Temperature max.   °F	122.0
Hardness   °Shore A	50

### Material resistance

Alcohol	n/a
Concentrated acids	Fair
Ethanol	Fair
Hydrolysis	Fair
Methanol	Poor
Oil	Excellent
Oxidation	Poor
Gasoline	Fair
Wear resistance	Excellent
Weather and ozone	Excellent

### Dimensional drawings



### Values specified in this data sheet are tested at (unless otherwise stated):

- Room temperature (20°C [68°F] ± 3°C [5.5°F]).
- Standard atmosphere (101.3 [29.9 inHg] ± 1.0 kPa [0.3 inHg]).
- Relative humidity 20-70%.
- Compressed air quality, DIN ISO 8573-1 class 4.

**Accessories**

04AF | Fitting 5x1/8" NPSF female, 30–40

04AG | Fitting 1/8" NPSF female, 30–40, with mesh filter

FC35P.4E | Suction cup FC35P Polyurethane 60

04AA | Fitting 1/8" NPSF female, 30–40

04AD | Fitting G3/8" male, 30–40, with mesh filter

04AE | Fitting 3/8" NPT male, with mesh filter

04AC | Fitting 1/4" NPT male, with mesh filter

04DA | Fitting 1/8" NPSF female, 30–40, with dual flow control valve

04DB | Fitting G1/4" male, 30–40, with dual flow control valve

04DC | Fitting 1/4" NPT male, with dual flow control valve

04DD | Fitting G3/8" male, 30–40, with dual flow control valve

04DE | Fitting 3/8" NPT male, with dual flow control valve

04DF | Fitting 5x1/8" NPSF female, 30–40, with dual flow control valve

**Spare parts**

FC35P.4D | Suction cup FC35P Polyurethane 50

04AB | Fitting G1/4" male, 30–40, with mesh filter