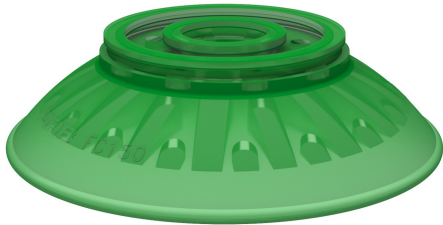


## Suction cup FC150P Polyurethane 60

Item number: FC150P.4E



- Suitable for slightly domed and flat and oily surfaces, e.g., such as those encountered when handling steel sheets in press processes.
- Thanks to the high friction of the rubber material, the suction cups can withstand high forces at rapid accelerations in horizontal directions, even on oily surfaces.
- The suction cups have cleats that prevent thin objects from being disfigured.
- DURAFLEX® material features the elasticity of rubber in combination with the wear resistance of polyurethane.
- The DURAFLEX® material is mark-free.

### Technical data

| Description             | Unit            | Value                      |
|-------------------------|-----------------|----------------------------|
| Suction cup shape       | -               | Flat Concave               |
| Application             | -               | Dry sheet metal, Mark Free |
| Suction cup design      | -               | Round                      |
| Characteristics         | -               | Dry sheet metal, Mark free |
| Material                | -               | Polyurethane (PU)          |
| Weight, min.            | oz              | 7.51                       |
| Suction cup model       | -               | FC                         |
| Volume                  | in <sup>3</sup> | 15.26                      |
| Height                  | in              | 1.59                       |
| Outer diameter, min.    | in              | 5.91                       |
| Fitting size            | -               | None                       |
| Fitting option          | -               | None                       |
| Fitting style           | -               | None                       |
| Fitting type            | -               | None                       |
| Suction cup model       | -               | FC150P PU60                |
| Movement, vertical max. | in              | 0.56                       |
| Curve radius, min.      | in              | 6.50                       |

### Performance - Lifting forces

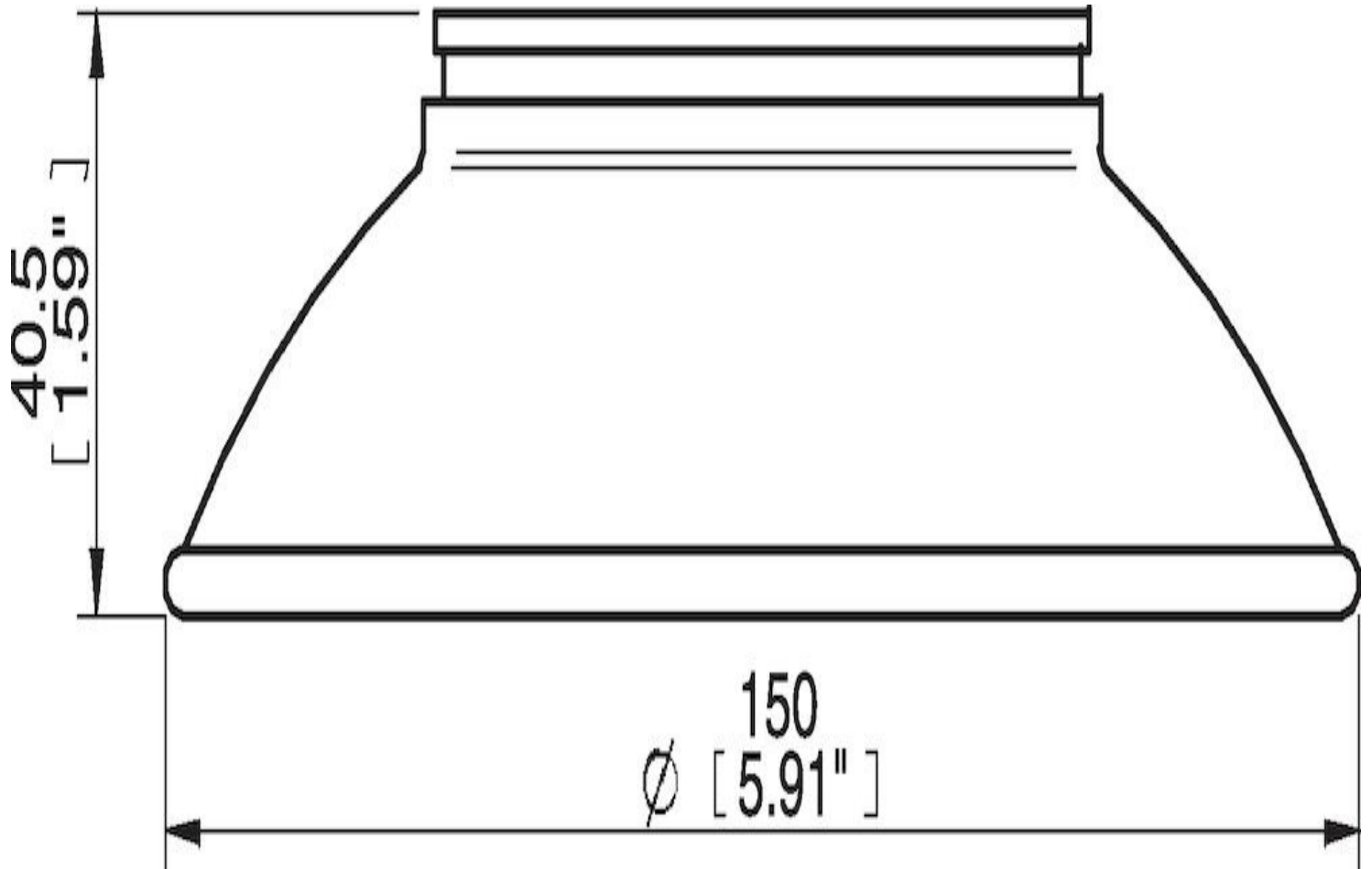
| FC150P PU60 | Vertical (lb) | Parallel (lb) |
|-------------|---------------|---------------|
| 5.91 -inHg  | 63.85         | 48.33         |
| 17.72 -inHg | 160.96        | 127.69        |
| 26.58 -inHg | 209.52        | 194.011       |

| Material               |                     |
|------------------------|---------------------|
| Name                   | Polyurethane (PU60) |
| Color                  | Green transparent   |
| Temperature, min.   °F | 50.0                |
| Temperature max.   °F  | 122.0               |
| Hardness   °Shore A    | 60                  |

#### Material resistance

|                    |           |
|--------------------|-----------|
| Alcohol            | n/a       |
| Concentrated acids | Fair      |
| Ethanol            | Fair      |
| Hydrolysis         | Fair      |
| Methanol           | Poor      |
| Oil                | Excellent |
| Oxidation          | Poor      |
| Gasoline           | Fair      |
| Wear resistance    | Excellent |
| Weather and ozone  | Excellent |

#### Dimensional drawings



#### Values specified in this data sheet are tested at (unless otherwise stated):

- Room temperature (20°C [68°F] ± 3°C [5.5°F]).
- Standard atmosphere (101.3 [29.9 inHg] ± 1.0 kPa [0.3 inHg]).
- Relative humidity 20-70%.
- Compressed air quality, DIN ISO 8573-1 class 4.

## Accessories

11NA | Fitting 110 G3/8" female, clamp ring with mesh filter

11NB | Fitting 110, 3/8" NPSF female, with mesh filter

11NC | Fitting 110, G1/2" female, clamp ring with mesh filter