

## Datasheet

# Suction cup FC100 Nitrile-PVC 60, G1/2" female, with mesh filter

Item number: FC100.30.07NF



- Suitable for slightly domed and flat and oily surfaces, e.g., such as those encountered when handling steel sheets in press processes.
- Thanks to the high friction of the rubber material, the suction cups can withstand high forces at rapid accelerations in horizontal directions, even on oily surfaces.
- The suction cups have cleats that prevent thin objects from being disfigured.
- DURAFLEX® material features the elasticity of rubber in combination with the wear resistance of polyurethane.
- The DURAFLEX® material is mark-free.

### Technical data

Description	Unit	Value
Suction cup shape	-	Flat Concave
Application	-	Dry sheet metal, Mark Free
Suction cup design	-	Round
Characteristics	-	Dry sheet metal, Mark free
Material	-	Nitrile-PVC (NPV)
Weight, min.	oz	4.62
Suction cup model	-	FC
Volume	in <sup>3</sup>	4.88
Height	in	1.57
Outer diameter, min.	in	3.94
Outer diameter, actuated	in	4.13
Fitting size	-	1/2"
Fitting option	-	Filter mesh
Fitting style	-	Female
Fitting type	-	G-thread
Suction cup model	-	FC100P NPVC60
Movement, vertical max.	in	0.40
Curve radius, min.	in	4.33

### Performance - Lifting forces

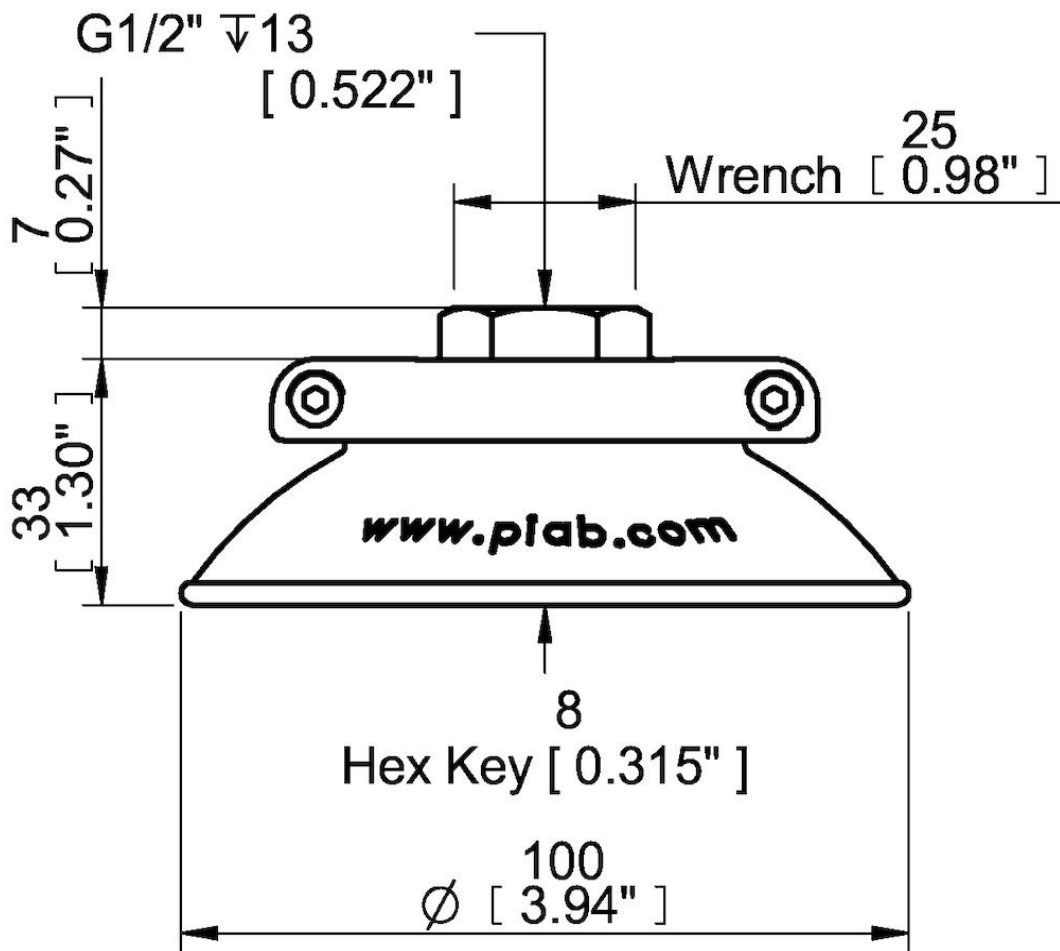
FC100P NPVC60	Vertical (lb)	Parallel (lb)
5.91 -inHg	34.17	25.18
17.72 -inHg	73.74	59.35
26.58 -inHg	100.27	85.88

Material	
Name	Nitrile-PVC (NPV)
Color	Black
Temperature, min.   °F	32.0
Temperature max.   °F	194.0
Hardness   °Shore A	60

### Material resistance

Alcohol	Good
Concentrated acids	Fair
Ethanol	n/a
Hydrolysis	Good
Methanol	n/a
Oil	Excellent
Oxidation	Good
Gasoline	Excellent
Wear resistance	Excellent
Weather and ozone	Good

### Dimensional drawings



### Values specified in this data sheet are tested at (unless otherwise stated):

- Room temperature (20°C [68°F] ± 3°C [5.5°F]).
- Standard atmosphere (101.3 [29.9 inHg] ± 1.0 kPa [0.3 inHg]).
- Relative humidity 20-70%.
- Compressed air quality, DIN ISO 8573-1 class 4.