

Datasheet

Suction cup F-BXT35 Silicone 5x1/8" NPSF female, with dual flow control valve

Item number: FBXT35.DS40.04DF



Technical data

Description	Unit	Value
Suction cup shape	-	Multibellows
Application	-	Food contact materials (FDA & EU), detectable
Suction cup design	-	Round
Characteristics	-	Food contact materials (FDA & EU), detectable
Material	-	Silicone (SIL)
Weight, min.	oz	0.95
Suction cup model	-	F-BXT
Volume	in ³	0.37
Height	in	1.67
Outer diameter, min.	in	1.38
Outer diameter, actuated	in	1.40
Fitting size	-	5x1/8"
Fitting option	-	Dual flow control valve
Fitting style	-	Female
Fitting type	-	NPSF-thread
Fitting material	-	ASTM 316L
Suction cup model	-	F-BXT35
Movement, vertical max.	in	0.52

Performance - Lifting forces

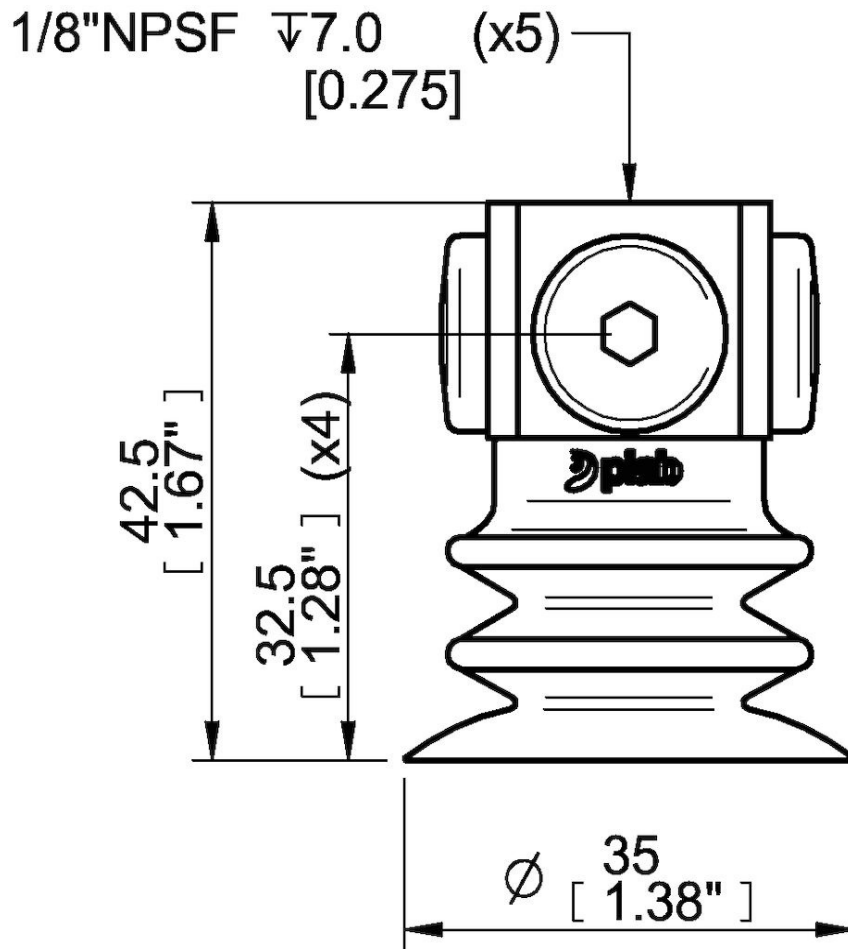
F-BXT35	Vertical (lb)	Parallel (lb)
2.95 -inHg	1.28	1.28
5.91 -inHg	1.87	1.87
11.81 -inHg	2.59	2.59

Material	
Name	Silicone (SIL detectable FCM)
Color	Blue
Temperature, min. °F	-40.0
Temperature max. °F	392.0
Hardness °Shore A	40

Material resistance

Alcohol	Good
Concentrated acids	Poor
Ethanol	n/a
Hydrolysis	Fair
Methanol	n/a
Oil	Poor
Oxidation	Excellent
Gasoline	Poor
Wear resistance	Good
Weather and ozone	Excellent

Dimensional drawings



Values specified in this data sheet are tested at (unless otherwise stated):

- Room temperature (20°C [68°F] \pm 3°C [5.5°F]).
- Standard atmosphere (101.3 [29.9 inHg] \pm 1.0 kPa [0.3 inHg]).
- Relative humidity 20-70%.
- Compressed air quality, DIN ISO 8573-1 class 4.

Spare parts

O4DF | Fitting 5x1/8" NPSF female, 30–40, with dual flow control valve