

## Suction cup F-BX10 Silicone detectable, FCM

Item number: FBX10.DS40



### Technical data

Description	Unit	Value
Suction cup shape	-	Multibellows
Application	-	Food contact materials (FDA & EU), detectable
Suction cup design	-	Round
Characteristics	-	Food contact materials (FDA & EU), detectable
Material	-	Silicone (SIL)
Load, torque, max.	lb ft	9.59
Weight, min.	oz	0.021
Suction cup model	-	F-BX
Volume	in <sup>3</sup>	0.020
Height	in	0.75
Outer diameter, min.	in	0.41
Outer diameter, actuated	in	0.41
Fitting size	-	None
Fitting option	-	None
Fitting style	-	None
Fitting type	-	None
Suction cup model	-	F-BX10
Movement, vertical max.	in	0.27
Curve radius, min.	in	0.14

### Performance - Lifting forces

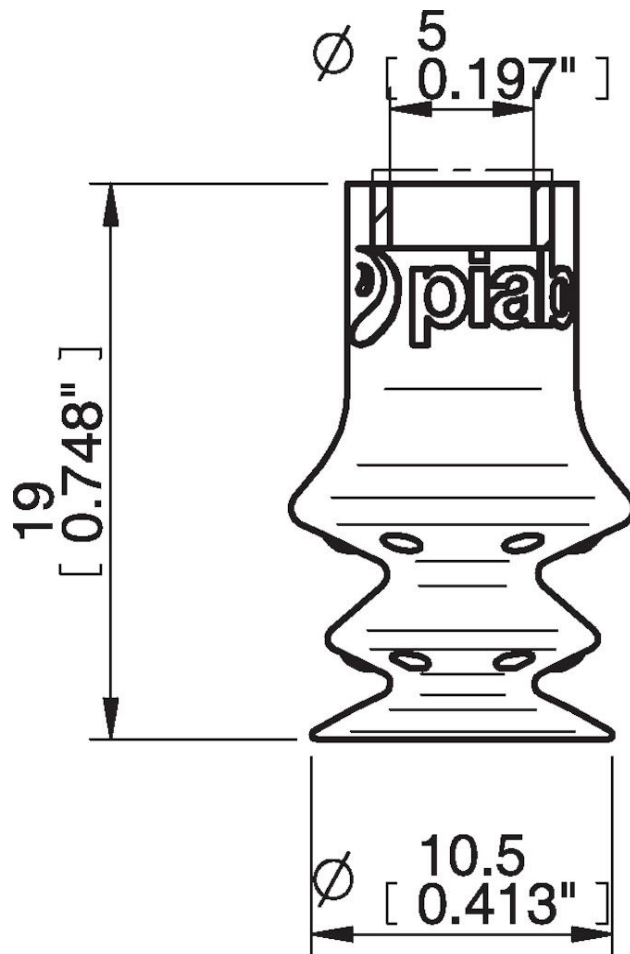
F-BX10	Vertical (lb)	Parallel (lb)
2.95 -inHg	0.11	0.27
5.91 -inHg	0.20	0.29
11.81 -inHg	0.34	0.31

Material	
Name	Silicone (SIL detectable FCM)
Color	Blue
Temperature, min.   °F	-40.0
Temperature max.   °F	392.0
Hardness   °Shore A	40

### Material resistance

Alcohol	Good
Concentrated acids	Poor
Ethanol	n/a
Hydrolysis	Fair
Methanol	n/a
Oil	Poor
Oxidation	Excellent
Gasoline	Poor
Wear resistance	Good
Weather and ozone	Excellent

### Dimensional drawings



### Values specified in this data sheet are tested at (unless otherwise stated):

- Room temperature (20°C [68°F] ± 3°C [5.5°F]).
- Standard atmosphere (101.3 [29.9 inHg] ± 1.0 kPa [0.3 inHg]).
- Relative humidity 20-70%.
- Compressed air quality, DIN ISO 8573-1 class 4.

## Accessories

02.07.133 | Fitting G1/8" Male, SS, F-BX10

02.07.134 | Fitting 1/8"NPT Male, SS, F-BX10

02.07.135 | Fitting M5 Male, SS, F-BX10

02.07.136 | Fitting G1/8" Male, composite, F-BX10

02.07.137 | Fitting 1/8"NPT Male, composite, F-BX10

02.07.138 | Fitting M5 Male, composite, F-BX10