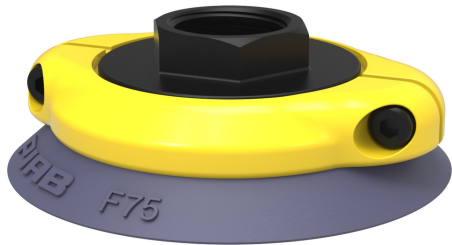


Datasheet

Suction cup F75 HNBR, G1/2" female, with mesh filter

Item number: F75.37.07NF



- Suitable for flat objects.
- Good stability and little inherent movement.
- Recommended when the lifting force is parallel to the surface of the object.
- Cleats prevent thin, sensitive objects from being deformed and gives extra friction when the lifting force is parallel.

Technical data

Description	Unit	Value
Suction cup shape	-	Flat
Application	-	Dry sheet metal, Plastic injection molded parts, Glass handling, High/low temp cup, Mark Free
Suction cup design	-	Round
Characteristics	-	Dry sheet metal, Plastic injection molded parts, Glass handling, High/low temp cup, Mark free
Material	-	HNBR
Weight, min.	oz	0.81
Suction cup model	-	F
Volume	in ³	1.22
Height	in	1.024
Outer diameter, min.	in	3.031
Outer diameter, actuated	in	3.11
Fitting size	-	1/2"
Fitting option	-	Filter mesh
Fitting style	-	Female
Fitting type	-	G-thread
Suction cup model	-	F75
Movement, vertical max.	in	0.12
Curve radius, min.	in	5.91

Performance - Lifting forces

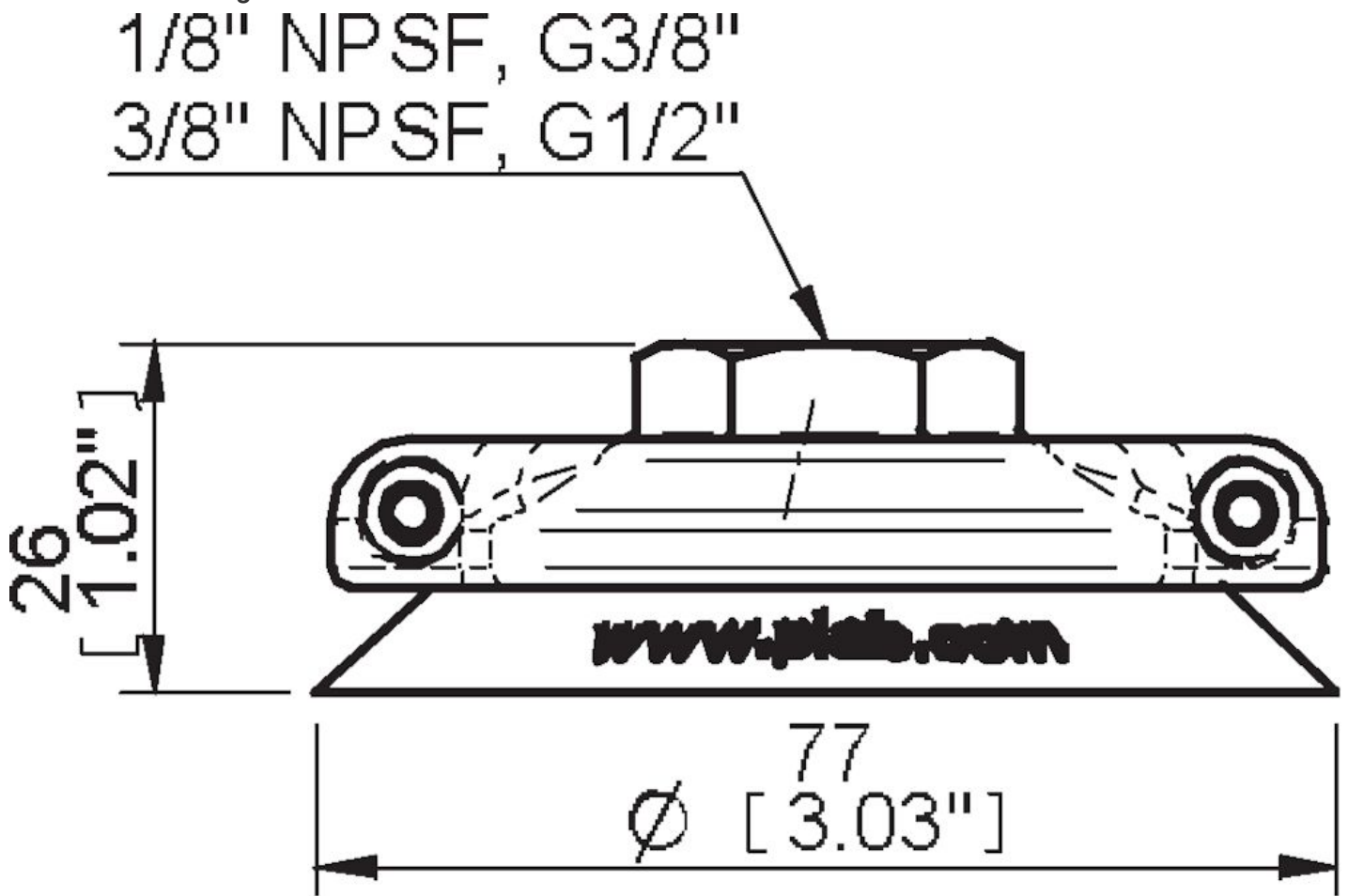
F75	Vertical (lb)	Parallel (lb)
5.91 -inHg	17.98	13.49
17.72 -inHg	44.96	24.73
26.58 -inHg	60.70	31.47

Material	
Name	HNBR 75° Shore A
Color	Blue/grey
Temperature, min. °F	-22.0
Temperature max. °F	284.0
Hardness °Shore A	75

Material resistance

Alcohol	Good
Concentrated acids	Fair
Ethanol	n/a
Hydrolysis	Good
Methanol	n/a
Oil	Excellent
Oxidation	Excellent
Gasoline	Excellent
Wear resistance	Excellent
Weather and ozone	Excellent

Dimensional drawings



Values specified in this data sheet are tested at (unless otherwise stated):

- Room temperature (20°C [68°F] ± 3°C [5.5°F]).
- Standard atmosphere (101.3 [29.9 inHg] ± 1.0 kPa [0.3 inHg]).
- Relative humidity 20-70%.
- Compressed air quality, DIN ISO 8573-1 class 4.

Accessories

07NA | Fitting 75, 1/8" NPSF female, clamp ring with mesh filter
07ND | Fitting 75, G3/8" female, clamp ring with mesh filter
07VD | Fitting 75, G3/8" female, with cone valve
07NE | Fitting 75, 3/8" NPSF female, with mesh filter
07VF | Fitting 75, G1/2" female, with cone valve
07UA | Fitting 1/8" NPSF female AI, with mesh filter
07UD | Fitting G1/2" female AI, with mesh filter
07UH | Fitting 1/4" NPT female AI, with mesh filter & 10-32 addl. conn.
F75.30 | Suction cup F75 Nitrile-PVC
F75.20 | Suction cup F75 Silicone

Spare parts

07NF | Fitting 75, G1/2" female, clamp ring with mesh filter
F75.37 | Suction cup F75 HNBR