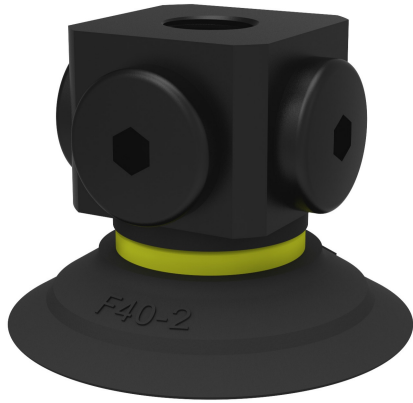


# Datasheet

## Suction cup F40-2 Nitrile-PVC, 5x1/8" NPSF female

Item number: F40-2.30.04AF



- Suitable for flat objects.
- Good stability and little inherent movement.
- Recommended when the lifting force is parallel to the surface of the object.
- Cleats prevent thin, sensitive objects from being deformed and gives extra friction when the lifting force is parallel.

### Technical data

Description	Unit	Value
Suction cup shape	-	Flat
Application	-	Dry sheet metal
Suction cup design	-	Round
Characteristics	-	Dry sheet metal
Material	-	Nitrile-PVC (NPV)
Weight, min.	oz	0.19
Suction cup model	-	F
Volume	in <sup>3</sup>	0.29
Height	in	1.22
Outer diameter, min.	in	1.65
Outer diameter, actuated	in	1.72
Fitting size	-	5x1/8"
Fitting option	-	None
Fitting style	-	Female
Fitting type	-	NPSF-thread
Suction cup model	-	F40-2
Movement, vertical max.	in	0.071
Curve radius, min.	in	2.047

### Performance - Lifting forces

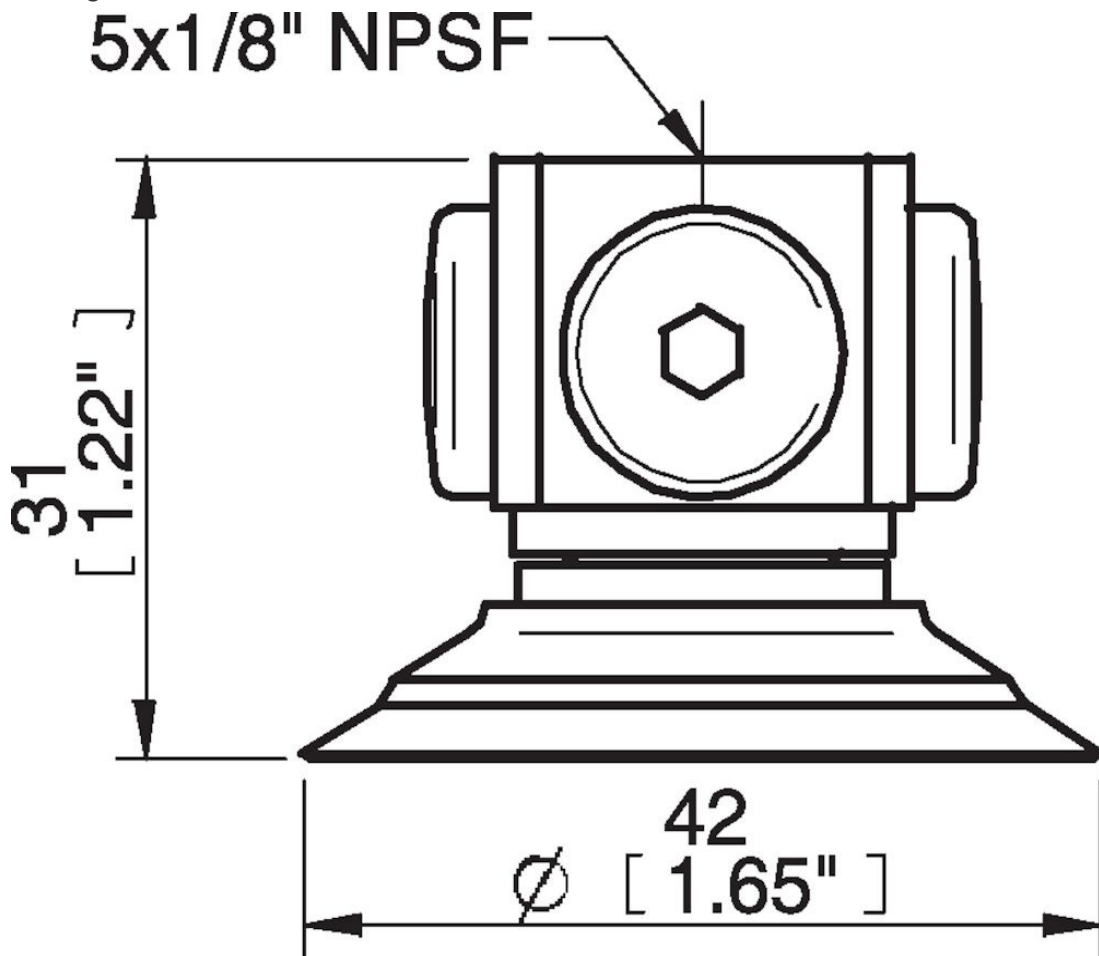
F40-2	Vertical (lb)	Parallel (lb)
5.91 -inHg	4.50	3.37
17.72 -inHg	8.99	5.62
26.58 -inHg	11.24	6.74

Material	
Name	Nitrile-PVC (NPV)
Color	Black
Temperature, min.   °F	32.0
Temperature max.   °F	194.0
Hardness   °Shore A	50

#### Material resistance

Alcohol	Good
Concentrated acids	Fair
Ethanol	n/a
Hydrolysis	Good
Methanol	n/a
Oil	Excellent
Oxidation	Good
Gasoline	Excellent
Wear resistance	Excellent
Weather and ozone	Good

#### Dimensional drawings



#### Values specified in this data sheet are tested at (unless otherwise stated):

- Room temperature (20°C [68°F] ± 3°C [5.5°F]).
- Standard atmosphere (101.3 [29.9 inHg] ± 1.0 kPa [0.3 inHg]).
- Relative humidity 20-70%.
- Compressed air quality, DIN ISO 8573-1 class 4.

**Accessories**

F40-2.20 | Suction cup F40-2 Silicone  
04AG | Fitting 1/8" NPSF female, 30–40, with mesh filter  
04UV | Fitting 1/8" NPSF female, 30–40, with cone valve  
04CA | Fitting 1/8" NPSF female, 30–40, PA  
04AA | Fitting 1/8" NPSF female, 30–40  
04AD | Fitting G3/8" male, 30–40, with mesh filter  
04AE | Fitting 3/8" NPT male, with mesh filter  
04AB | Fitting G1/4" male, 30–40, with mesh filter  
04AC | Fitting 1/4" NPT male, with mesh filter  
04DA | Fitting 1/8" NPSF female, 30–40, with dual flow control valve  
04DB | Fitting G1/4" male, 30–40, with dual flow control valve  
04DC | Fitting 1/4" NPT male, with dual flow control valve  
04DD | Fitting G3/8" male, 30–40, with dual flow control valve  
04DE | Fitting 3/8" NPT male, with dual flow control valve  
04DF | Fitting 5x1/8" NPSF female, 30–40, with dual flow control valve

**Spare parts**

04AF | Fitting 5x1/8" NPSF female, 30–40  
F40-2.30 | Suction cup F40-2 Nitrile-PVC