

Datasheet

Suction cup F30MF Thermoelastic polyurethane, G1/8" male/M5 female, with mesh filter

Item number: F30MF.40.02AF



- Suction cup of TPU, a mark free material that leaves no trace on the object being handled.
- Suitable for flat surfaces.
- Good stability and little inherent movement.
- Recommended when the lifting force is parallel to the surface of the object.

Technical data

Description	Unit	Value
Suction cup shape	-	Flat
Application	-	Mark Free
Suction cup design	-	Round
Characteristics	-	Mark free
Material	-	TPE
Weight, min.	oz	0.078
Suction cup model	-	F-MF
Volume	in ³	0.12
Height	in	0.69
Outer diameter, min.	in	1.26
Outer diameter, actuated	in	1.28
Fitting size	-	1/8", M5
Fitting option	-	Filter mesh
Fitting style	-	Female/Male
Fitting type	-	G-thread, M-thread
Suction cup model	-	F30MF
Movement, vertical max.	in	0.055
Curve radius, min.	in	1.73

Performance - Lifting forces

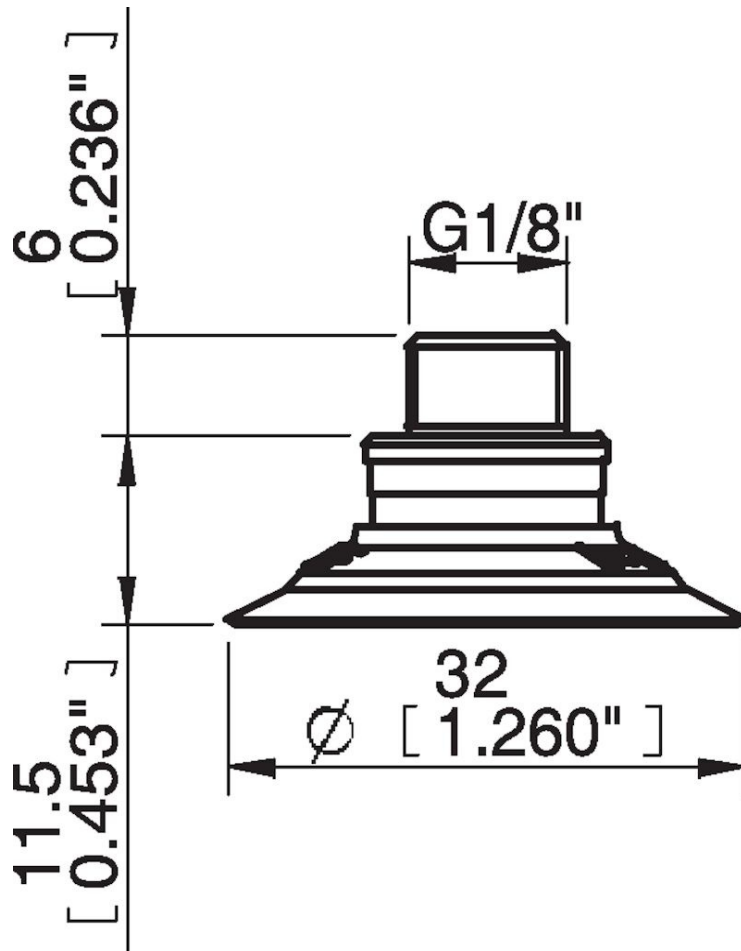
F30MF	Vertical (lb)	Parallel (lb)
5.91 -inHg	2.47	3.057
17.72 -inHg	7.76	6.29
26.58 -inHg	10.79	9.44

Material	
Name	Thermoplastic Polyurethane (TPE-U)
Color	White transparent
Temperature, min. °F	-4.0
Temperature max. °F	176.0
Hardness °Shore A	81

Material resistance

Alcohol	Good
Concentrated acids	Poor
Ethanol	n/a
Hydrolysis	Poor
Methanol	n/a
Oil	Excellent
Oxidation	Good
Gasoline	Poor
Wear resistance	Excellent
Weather and ozone	Excellent

Dimensional drawings



Values specified in this data sheet are tested at (unless otherwise stated):

- Room temperature (20°C [68°F] ± 3°C [5.5°F]).
- Standard atmosphere (101.3 [29.9 inHg] ± 1.0 kPa [0.3 inHg]).
- Relative humidity 20-70%.
- Compressed air quality, DIN ISO 8573-1 class 4.

Accessories

02AE | Fitting 5xM5 female

02CD | Fitting G1/8" male/M5 female, PA

02AA | Fitting M5 female

02AD | Fitting G1/8" male/M5 female

02AB | Fitting G1/8" male, with mesh filter

02AC | Fitting 1/8" NPT male, with mesh filter

02DA | Fitting M5 female, with dual flow control valve

02DC | Fitting 1/8" NPT male, with dual flow control valve

02DD | Fitting G1/8" male/M5 female, with dual flow control valve

02DE | Fitting 5xM5 female, with dual flow control valve

Spare parts

F30MF.40 | Suction cup F30MF Thermoelastic polyurethane

02AF | Fitting G1/8" male/M5 female, with mesh filter