

Datasheet

Suction cup F25 Chloroprene, G1/8" male, with mesh filter and dual flow control valve

Item number: F25.10.02DB



- Suitable for flat objects.
- Good stability and little inherent movement.
- Recommended when the lifting force is parallel to the surface of the object.
- Cleats prevent thin, sensitive objects from being deformed and gives extra friction when the lifting force is parallel.

Technical data

Description	Unit	Value
Suction cup shape	-	Flat
Application	-	Dry sheet metal
Suction cup design	-	Round
Characteristics	-	Dry sheet metal
Material	-	Chloroprene (CR)
Weight, min.	oz	0.063
Suction cup model	-	F
Volume	in ³	0.067
Leakage flow, max.	scfm	0.13
Height	in	0.83
Outer diameter, min.	in	1.063
Outer diameter, actuated	in	1.098
Fitting size	-	1/8"
Fitting option	-	Dual flow control valve, Filter mesh
Fitting style	-	Male
Fitting type	-	G-thread
Valve restriction	in	0.028
Restricted vacuum flow	scfm	1.48
Suction cup model	-	F25
Movement, vertical max.	in	0.047
Curve radius, min.	in	0.87

Performance - Lifting forces

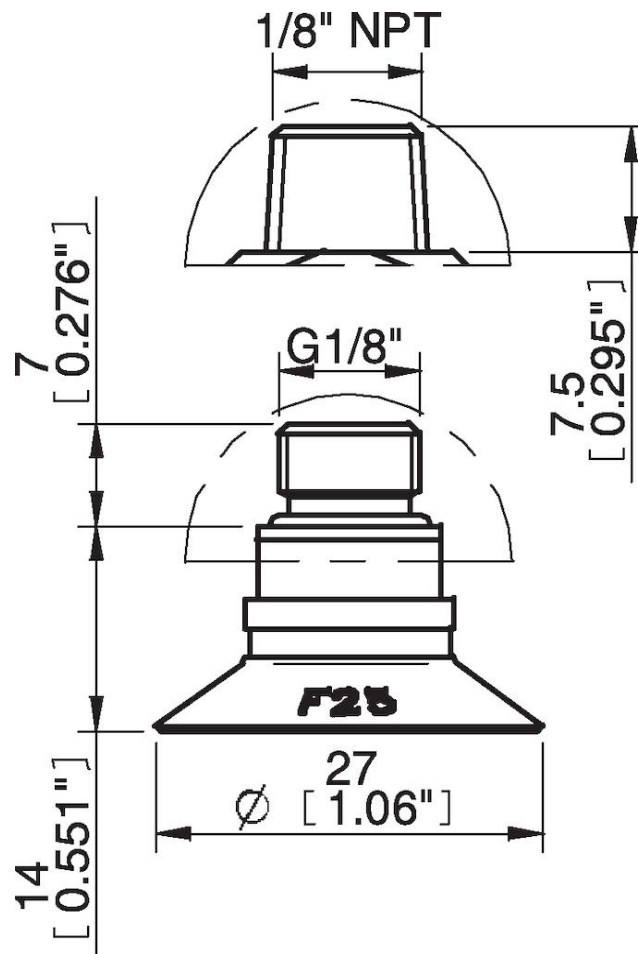
F25	Vertical (lb)	Parallel (lb)
5.91 -inHg	2.023	1.80
17.72 -inHg	4.38	2.023
26.58 -inHg	5.62	2.25

Material	
Name	Chloroprene (CR) 50° Shore A
Color	Black
Temperature, min. °F	-40.0
Temperature max. °F	230.0
Hardness °Shore A	50

Material resistance

Alcohol	Good
Concentrated acids	Poor
Ethanol	n/a
Hydrolysis	Good
Methanol	n/a
Oil	Fair
Oxidation	Good
Gasoline	Fair
Wear resistance	Excellent
Weather and ozone	Good

Dimensional drawings



Values specified in this data sheet are tested at (unless otherwise stated):

- Room temperature (20°C [68°F] ± 3°C [5.5°F]).
- Standard atmosphere (101.3 [29.9 inHg] ± 1.0 kPa [0.3 inHg]).
- Relative humidity 20-70%.
- Compressed air quality, DIN ISO 8573-1 class 4.

Accessories

02AE | Fitting 5xM5 female

F25.20 | Suction cup F25 Silicone

02AF | Fitting G1/8" male/M5 female, with mesh filter

02CD | Fitting G1/8" male/M5 female, PA

02AA | Fitting M5 female

02AD | Fitting G1/8" male/M5 female

02AB | Fitting G1/8" male, with mesh filter

02AC | Fitting 1/8" NPT male, with mesh filter

02DA | Fitting M5 female, with dual flow control valve

02DC | Fitting 1/8" NPT male, with dual flow control valve

02DD | Fitting G1/8" male/M5 female, with dual flow control valve

02DE | Fitting 5xM5 female, with dual flow control valve

Spare parts

F25.10 | Suction cup F25 Chloroprene