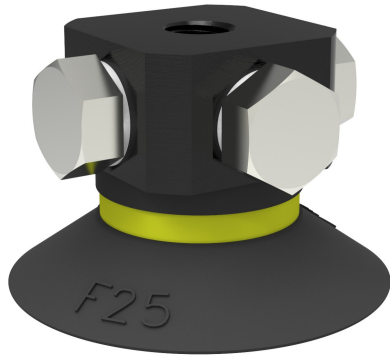


## Suction cup F25 Chloroprene, 5xM5 female

Item number: F25.10.02AE



- Suitable for flat objects.
- Good stability and little inherent movement.
- Recommended when the lifting force is parallel to the surface of the object.
- Cleats prevent thin, sensitive objects from being deformed and gives extra friction when the lifting force is parallel.

### Technical data

| Description              | Unit            | Value            |
|--------------------------|-----------------|------------------|
| Suction cup shape        | -               | Flat             |
| Application              | -               | Dry sheet metal  |
| Suction cup design       | -               | Round            |
| Characteristics          | -               | Dry sheet metal  |
| Material                 | -               | Chloroprene (CR) |
| Weight, min.             | oz              | 0.063            |
| Suction cup model        | -               | F                |
| Volume                   | in <sup>3</sup> | 0.067            |
| Height                   | in              | 0.71             |
| Outer diameter, min.     | in              | 1.063            |
| Outer diameter, actuated | in              | 1.098            |
| Fitting size             | -               | 5xM5             |
| Fitting option           | -               | None             |
| Fitting style            | -               | Female           |
| Fitting type             | -               | M-thread         |
| Suction cup model        | -               | F25              |
| Movement, vertical max.  | in              | 0.047            |
| Curve radius, min.       | in              | 0.87             |

### Performance - Lifting forces

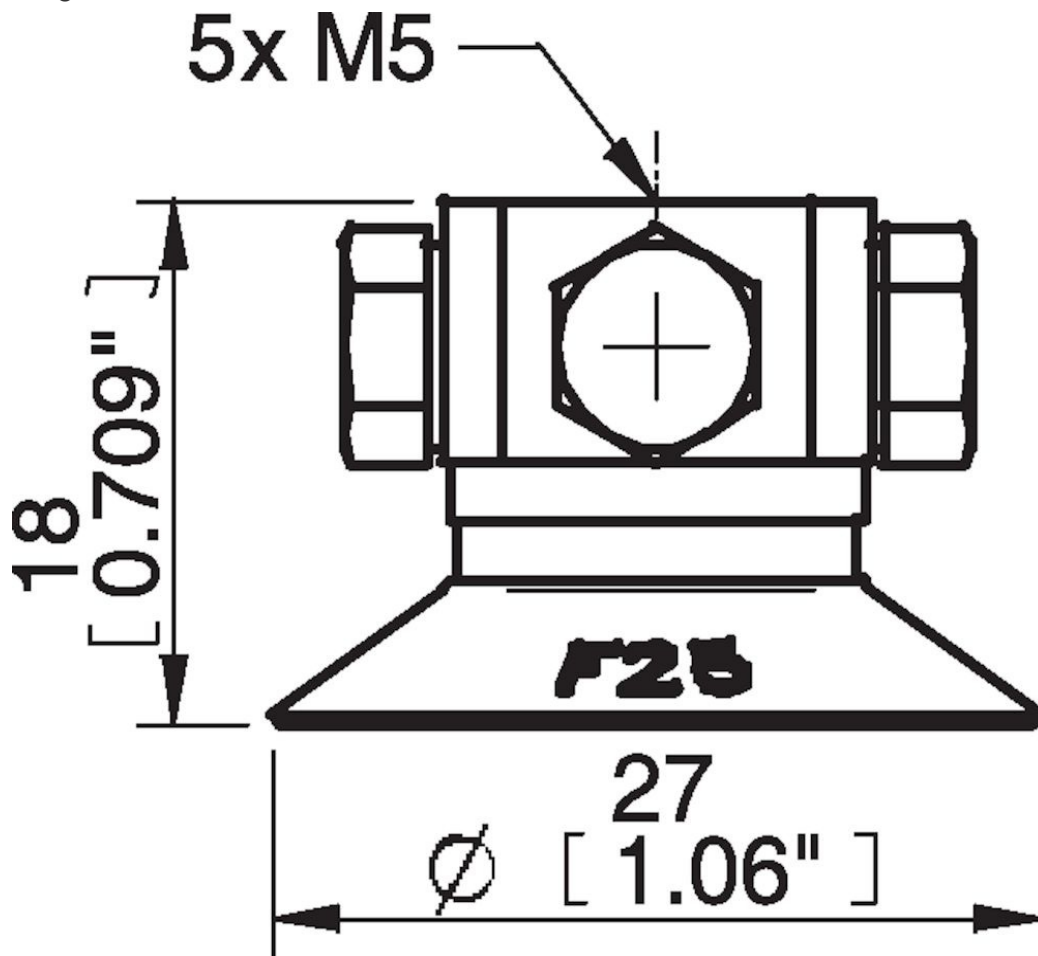
| F25         | Vertical (lb) | Parallel (lb) |
|-------------|---------------|---------------|
| 5.91 -inHg  | 2.023         | 1.80          |
| 17.72 -inHg | 4.38          | 2.023         |
| 26.58 -inHg | 5.62          | 2.25          |

| Material               |                              |
|------------------------|------------------------------|
| Name                   | Chloroprene (CR) 50° Shore A |
| Color                  | Black                        |
| Temperature, min.   °F | -40.0                        |
| Temperature max.   °F  | 230.0                        |
| Hardness   °Shore A    | 50                           |

#### Material resistance

|                    |           |
|--------------------|-----------|
| Alcohol            | Good      |
| Concentrated acids | Poor      |
| Ethanol            | n/a       |
| Hydrolysis         | Good      |
| Methanol           | n/a       |
| Oil                | Fair      |
| Oxidation          | Good      |
| Gasoline           | Fair      |
| Wear resistance    | Excellent |
| Weather and ozone  | Good      |

#### Dimensional drawings



#### Values specified in this data sheet are tested at (unless otherwise stated):

- Room temperature (20°C [68°F] ± 3°C [5.5°F]).
- Standard atmosphere (101.3 [29.9 inHg] ± 1.0 kPa [0.3 inHg]).
- Relative humidity 20-70%.
- Compressed air quality, DIN ISO 8573-1 class 4.

**Accessories**

F25.20 | Suction cup F25 Silicone

02AF | Fitting G1/8" male/M5 female, with mesh filter

02CD | Fitting G1/8" male/M5 female, PA

02AA | Fitting M5 female

02AD | Fitting G1/8" male/M5 female

02AB | Fitting G1/8" male, with mesh filter

02AC | Fitting 1/8" NPT male, with mesh filter

02DA | Fitting M5 female, with dual flow control valve

02DC | Fitting 1/8" NPT male, with dual flow control valve

02DD | Fitting G1/8" male/M5 female, with dual flow control valve

02DE | Fitting 5xM5 female, with dual flow control valve

**Spare parts**

02AE | Fitting 5xM5 female

F25.10 | Suction cup F25 Chloroprene