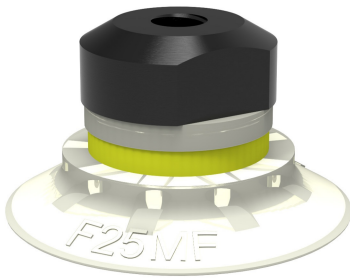


# Datasheet

## Suction cup F25MF Thermoelastic polyurethane, M5 female

Item number: F25MF.40.02AA



- Suction cup of TPU, a mark free material that leaves no trace on the object being handled.
- Suitable for flat surfaces.
- Good stability and little inherent movement.
- Recommended when the lifting force is parallel to the surface of the object.

### Technical data

| Description              | Unit            | Value     |
|--------------------------|-----------------|-----------|
| Suction cup shape        | -               | Flat      |
| Application              | -               | Mark Free |
| Suction cup design       | -               | Round     |
| Characteristics          | -               | Mark free |
| Material                 | -               | TPE       |
| Weight, min.             | oz              | 0.060     |
| Suction cup model        | -               | F-MF      |
| Volume                   | in <sup>3</sup> | 0.067     |
| Height                   | in              | 0.59      |
| Outer diameter, min.     | in              | 1.063     |
| Outer diameter, actuated | in              | 1.098     |
| Fitting size             | -               | M5        |
| Fitting option           | -               | None      |
| Fitting style            | -               | Male      |
| Fitting type             | -               | M-thread  |
| Suction cup model        | -               | F25MF     |
| Movement, vertical max.  | in              | 0.047     |
| Curve radius, min.       | in              | 0.91      |

### Performance - Lifting forces

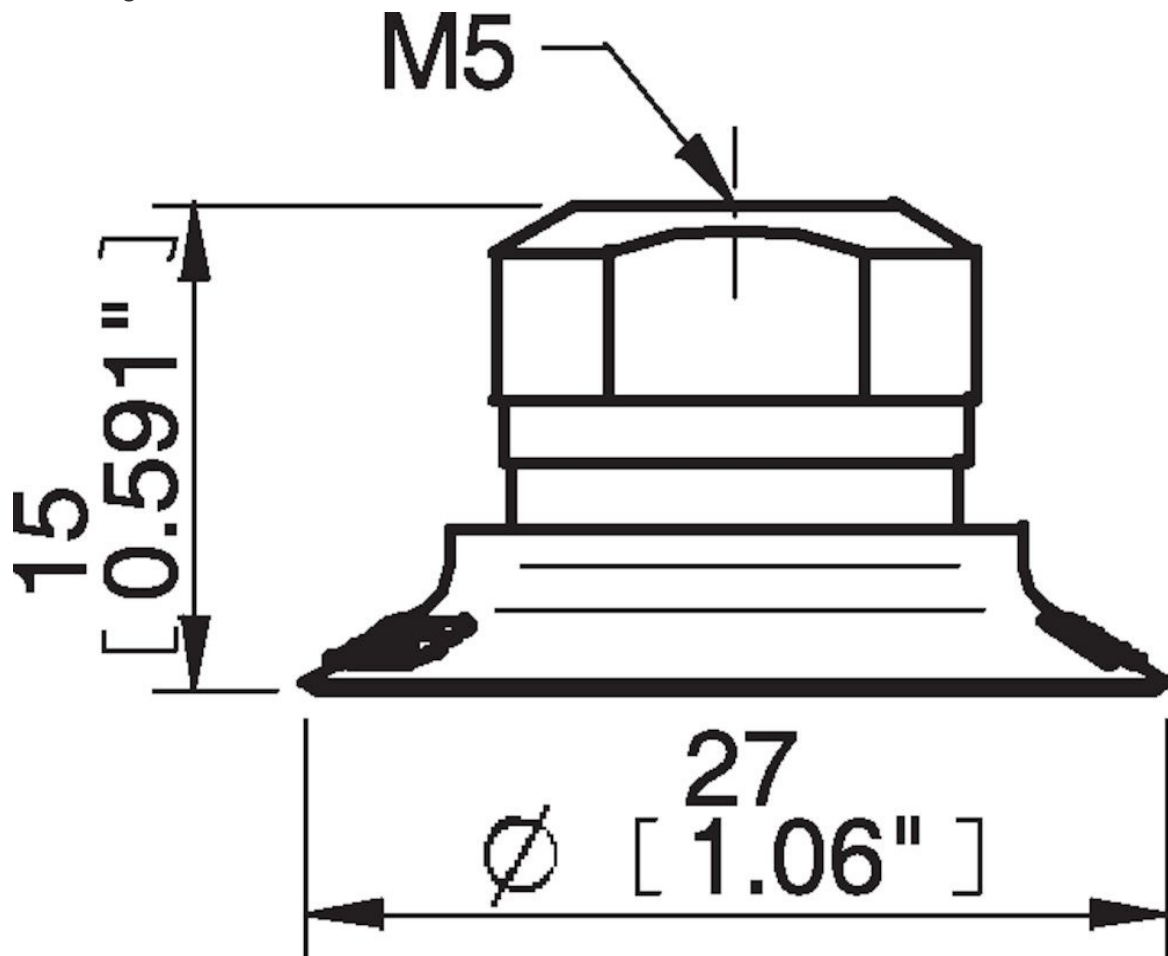
| F25MF       | Vertical (lb) | Parallel (lb) |
|-------------|---------------|---------------|
| 5.91 -inHg  | 1.42          | 2.023         |
| 17.72 -inHg | 5.51          | 5.51          |
| 26.58 -inHg | 7.98          | 8.16          |

| Material               |                                    |
|------------------------|------------------------------------|
| Name                   | Thermoplastic Polyurethane (TPE-U) |
| Color                  | White transparent                  |
| Temperature, min.   °F | -4.0                               |
| Temperature max.   °F  | 176.0                              |
| Hardness   °Shore A    | 81                                 |

#### Material resistance

|                    |           |
|--------------------|-----------|
| Alcohol            | Good      |
| Concentrated acids | Poor      |
| Ethanol            | n/a       |
| Hydrolysis         | Poor      |
| Methanol           | n/a       |
| Oil                | Excellent |
| Oxidation          | Good      |
| Gasoline           | Poor      |
| Wear resistance    | Excellent |
| Weather and ozone  | Excellent |

#### Dimensional drawings



#### Values specified in this data sheet are tested at (unless otherwise stated):

- Room temperature (20°C [68°F] ± 3°C [5.5°F]).
- Standard atmosphere (101.3 [29.9 inHg] ± 1.0 kPa [0.3 inHg]).
- Relative humidity 20-70%.
- Compressed air quality, DIN ISO 8573-1 class 4.

**Accessories**

02AE | Fitting 5xM5 female

02AF | Fitting G1/8" male/M5 female, with mesh filter

02CD | Fitting G1/8" male/M5 female, PA

02AB | Fitting G1/8" male, with mesh filter

02DA | Fitting M5 female, with dual flow control valve

02DD | Fitting G1/8" male/M5 female, with dual flow control valve

02DE | Fitting 5xM5 female, with dual flow control valve

**Spare parts**

02AA | Fitting M5 female

F25MF.40 | Suction cup F25MF Thermoelastic polyurethane