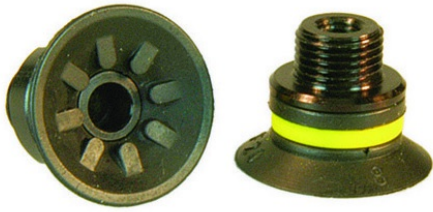


Datasheet

Suction cup F20 Chloroprene, G1/8" male/M5 female

Item number: F20.10.02AD



- Suitable for flat objects.
- Good stability and little inherent movement.
- Recommended when the lifting force is parallel to the surface of the object.
- Cleats prevent thin, sensitive objects from being deformed and gives extra friction when the lifting force is parallel.

Technical data

Description	Unit	Value
Suction cup shape	-	Flat
Application	-	Dry sheet metal
Suction cup design	-	Round
Characteristics	-	Dry sheet metal
Material	-	Chloroprene (CR)
Weight, min.	oz	0.042
Suction cup model	-	F
Volume	in ³	0.061
Height	in	0.61
Outer diameter, min.	in	0.87
Fitting size	-	1/8", M5
Fitting option	-	None
Fitting style	-	Female/Male
Fitting type	-	G-thread, M-thread
Suction cup model	-	F20
Movement, vertical max.	in	0.047
Curve radius, min.	in	0.71

Performance - Lifting forces

F20	Vertical (lb)	Parallel (lb)
5.91 -inHg	1.35	1.12
17.72 -inHg	3.26	1.80
26.58 -inHg	4.27	1.91

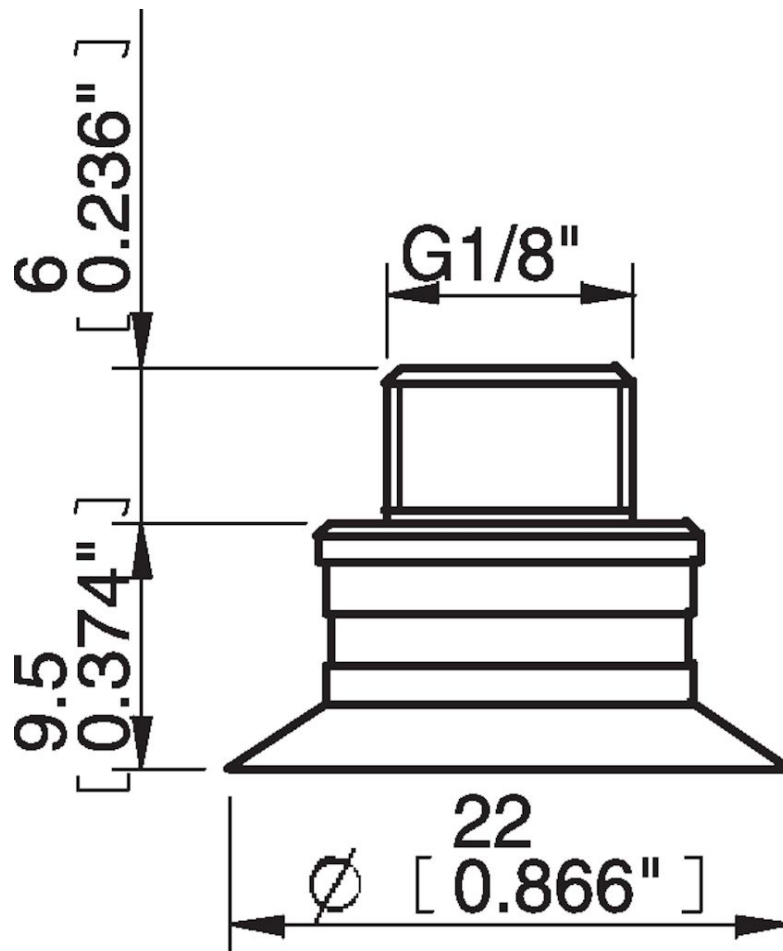
Material

Name	Chloroprene (CR) 50° Shore A
Color	Black
Temperature, min. °F	-40.0
Temperature max. °F	230.0
Hardness °Shore A	50

Material resistance

Alcohol	Good
Concentrated acids	Poor
Ethanol	n/a
Hydrolysis	Good
Methanol	n/a
Oil	Fair
Oxidation	Good
Gasoline	Fair
Wear resistance	Excellent
Weather and ozone	Good

Dimensional drawings



Values specified in this data sheet are tested at (unless otherwise stated):

- Room temperature (20°C [68°F] ± 3°C [5.5°F]).
- Standard atmosphere (101.3 [29.9 inHg] ± 1.0 kPa [0.3 inHg]).
- Relative humidity 20-70%.
- Compressed air quality, DIN ISO 8573-1 class 4.

Accessories

- 02AE | Fitting 5xM5 female
- F20.20 | Suction cup F20 Silicone
- 02AF | Fitting G1/8" male/M5 female, with mesh filter
- 02CD | Fitting G1/8" male/M5 female, PA
- 02AA | Fitting M5 female
- 02AB | Fitting G1/8" male, with mesh filter
- 02AC | Fitting 1/8" NPT male, with mesh filter
- 02DA | Fitting M5 female, with dual flow control valve
- 02DC | Fitting 1/8" NPT male, with dual flow control valve
- 02DD | Fitting G1/8" male/M5 female, with dual flow control valve
- 02DE | Fitting 5xM5 female, with dual flow control valve

Spare parts

- F20.10 | Suction cup F20 Chloroprene
- 02AD | Fitting G1/8" male/M5 female