

## Suction cup F15 Chloroprene, M5 male

Item number: F15.10.01AC



- Suitable for flat objects.
- Good stability and little inherent movement.
- Recommended when the lifting force is parallel to the surface of the object.
- Cleats prevent thin, sensitive objects from being deformed and gives extra friction when the lifting force is parallel.

### Technical data

Description	Unit	Value
Suction cup shape	-	Flat
Application	-	Dry sheet metal
Suction cup design	-	Round
Characteristics	-	Dry sheet metal
Material	-	Chloroprene (CR)
Weight, min.	oz	0.032
Suction cup model	-	F
Volume	in <sup>3</sup>	0.023
Height	in	0.77
Outer diameter, min.	in	0.62
Outer diameter, actuated	in	0.63
Fitting size	-	M5
Fitting option	-	None
Fitting style	-	Male
Fitting type	-	M-thread
Suction cup model	-	F15
Movement, vertical max.	in	0.039
Curve radius, min.	in	0.51

### Performance - Lifting forces

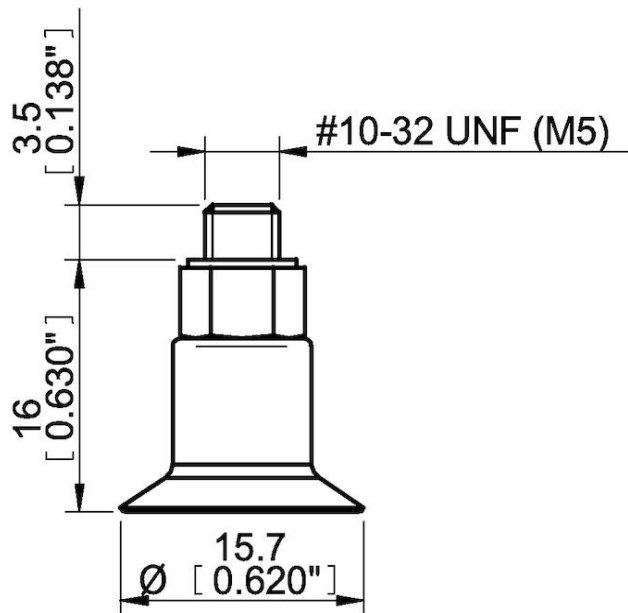
F15	Vertical (lb)	Parallel (lb)
5.91 -inHg	0.79	0.79
17.72 -inHg	1.91	1.46
26.58 -inHg	2.47	1.69

Material	
Name	Chloroprene (CR) 50° Shore A
Color	Black
Temperature, min.   °F	-40.0
Temperature max.   °F	230.0
Hardness   °Shore A	50

### Material resistance

Alcohol	Good
Concentrated acids	Poor
Ethanol	n/a
Hydrolysis	Good
Methanol	n/a
Oil	Fair
Oxidation	Good
Gasoline	Fair
Wear resistance	Excellent
Weather and ozone	Good

### Dimensional drawings



### Values specified in this data sheet are tested at (unless otherwise stated):

- Room temperature (20°C [68°F] ± 3°C [5.5°F]).
- Standard atmosphere (101.3 [29.9 inHg] ± 1.0 kPa [0.3 inHg]).
- Relative humidity 20-70%.
- Compressed air quality, DIN ISO 8573-1 class 4.

### Accessories

F15.20 | Suction cup F15 Silicone

**Spare parts**

01AC | Fitting M5 male, 10–15

F15.10 | Suction cup F15 Chloroprene