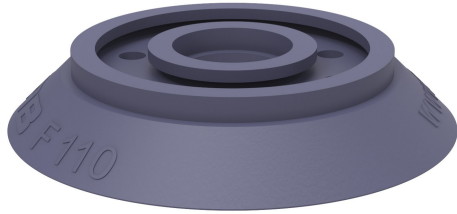


Suction cup F110 HNBR with washer

Item number: F110.37.W



- Suitable for flat objects.
- Good stability and little inherent movement.
- Recommended when the lifting force is parallel to the surface of the object.
- Cleats prevent thin, sensitive objects from being deformed and gives extra friction when the lifting force is parallel.

Technical data

Description	Unit	Value
Suction cup shape	-	Flat
Application	-	Dry sheet metal, Plastic injection molded parts, Glass handling, High/low temp cup, Mark Free
Suction cup design	-	Round
Characteristics	-	Dry sheet metal, Plastic injection molded parts, Glass handling, High/low temp cup , Mark free
Material	-	HNBR
Weight, min.	oz	2.33
Suction cup model	-	F
Volume	in ³	4.27
Height	in	0.79
Outer diameter, min.	in	4.41
Fitting size	-	None
Fitting option	-	None
Fitting style	-	None
Fitting type	-	None
Suction cup model	-	F110
Movement, vertical max.	in	0.16
Curve radius, min.	in	9.84

Performance - Lifting forces

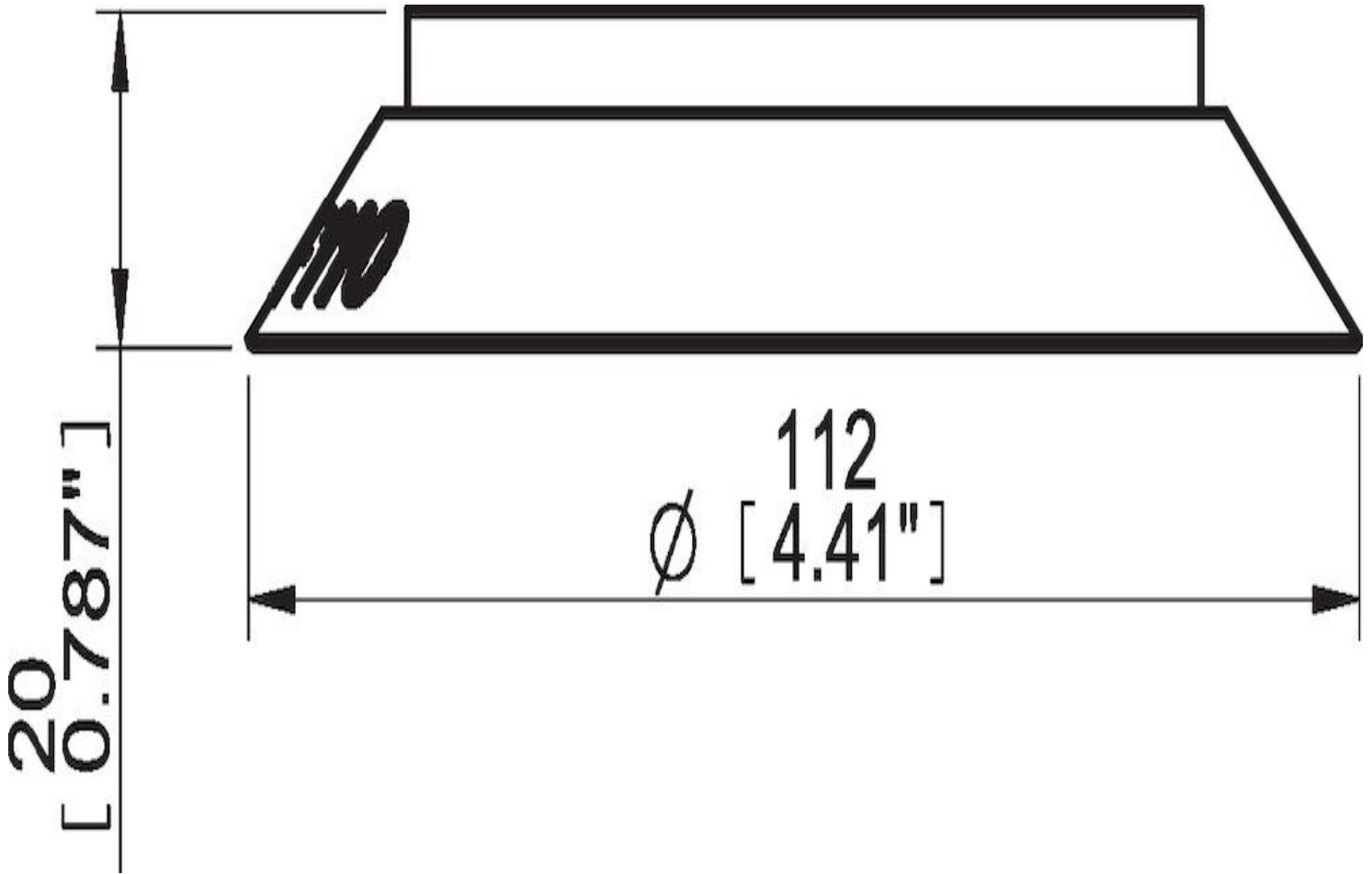
F110	Vertical (lb)	Parallel (lb)
5.91 -inHg	31.47	31.47
17.72 -inHg	94.42	56.20
26.58 -inHg	125.89	67.44

Material	
Name	HNBR 50° Shore A
Color	Blue
Temperature, min. °F	-22.0
Temperature max. °F	284.0
Hardness °Shore A	50

Material resistance

Alcohol	Good
Concentrated acids	Fair
Ethanol	n/a
Hydrolysis	Good
Methanol	n/a
Oil	Excellent
Oxidation	Excellent
Gasoline	Excellent
Wear resistance	Excellent
Weather and ozone	Excellent

Dimensional drawings



Values specified in this data sheet are tested at (unless otherwise stated):

- Room temperature (20°C [68°F] ± 3°C [5.5°F]).
- Standard atmosphere (101.3 [29.9 inHg] ± 1.0 kPa [0.3 inHg]).
- Relative humidity 20-70%.
- Compressed air quality, DIN ISO 8573-1 class 4.

Accessories

11NA | Fitting 110 G3/8" female, clamp ring with mesh filter

11NB | Fitting 110, 3/8" NPSF female, with mesh filter

11NC | Fitting 110, G1/2" female, clamp ring with mesh filter

11VC | Fitting 110, G1/2" female, with cone valve

11UA | Fitting G1/2" female AI, with mesh filter