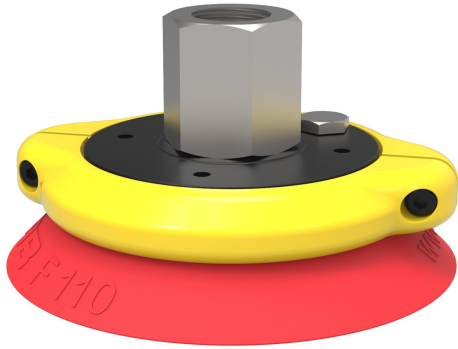


# Datasheet

## Suction cup F110 Silicone, G1/2" female, clamp ring with cone valve

Item number: F110.20.11VC



- Suitable for flat objects.
- Good stability and little inherent movement.
- Recommended when the lifting force is parallel to the surface of the object.
- Cleats prevent thin, sensitive objects from being deformed and gives extra friction when the lifting force is parallel.

### Technical data

Description	Unit	Value
Suction cup shape	-	Flat
Application	-	Dry sheet metal
Suction cup design	-	Round
Characteristics	-	Dry sheet metal
Material	-	Silicone (SIL)
Weight, min.	oz	2.33
Suction cup model	-	F
Volume	in <sup>3</sup>	4.27
Height	in	2.43
Outer diameter, min.	in	4.41
Outer diameter, actuated	in	4.54
Fitting size	-	1/2"
Fitting option	-	Cone valve
Fitting style	-	Female
Fitting type	-	G-thread
Suction cup model	-	F110
Movement, vertical max.	in	0.16
Curve radius, min.	in	9.84

### Performance - Lifting forces

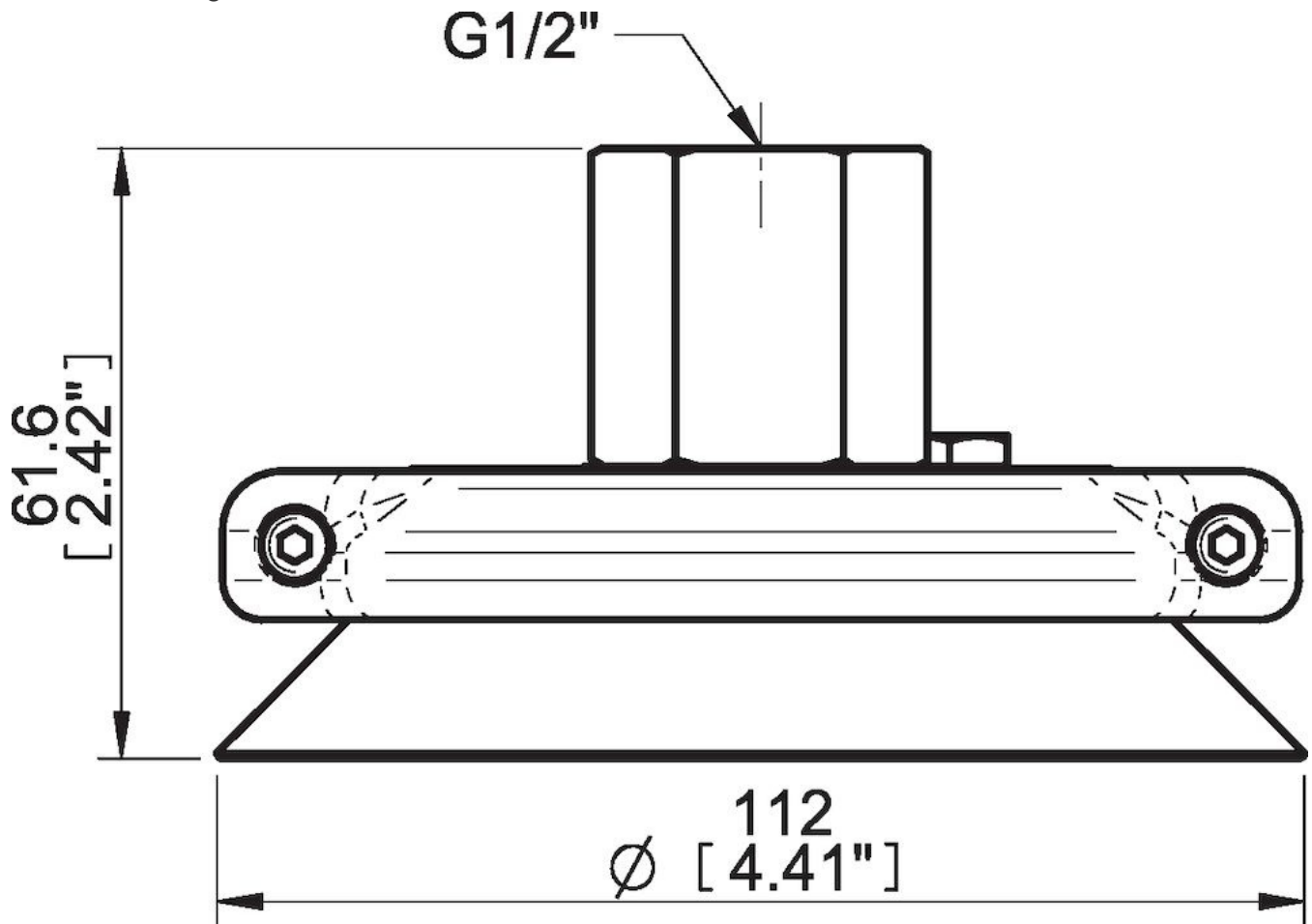
F110	Vertical (lb)	Parallel (lb)
5.91 -inHg	31.47	31.47
17.72 -inHg	94.42	56.20
26.58 -inHg	125.89	67.44

Material	
Name	Silicone, SIL 50° Shore A
Color	Red
Temperature, min.   °F	-40.0
Temperature max.   °F	392.0
Hardness   °Shore A	50

### Material resistance

Alcohol	Good
Concentrated acids	Poor
Ethanol	n/a
Hydrolysis	Fair
Methanol	n/a
Oil	Poor
Oxidation	Excellent
Gasoline	Poor
Wear resistance	Good
Weather and ozone	Excellent

### Dimensional drawings



### Values specified in this data sheet are tested at (unless otherwise stated):

- Room temperature (20°C [68°F] ± 3°C [5.5°F]).
- Standard atmosphere (101.3 [29.9 inHg] ± 1.0 kPa [0.3 inHg]).
- Relative humidity 20-70%.
- Compressed air quality, DIN ISO 8573-1 class 4.

**Accessories**

11NA | Fitting 110 G3/8" female, clamp ring with mesh filter  
11NB | Fitting 110, 3/8" NPSF female, with mesh filter  
11NC | Fitting 110, G1/2" female, clamp ring with mesh filter  
F110.30.W | Suction cup F110 Nitrile-PVC with washer  
F110.20.W | Suction cup F110 Silicone with washer  
F110.37.W | Suction cup F110 HNBR with washer  
F110.30 | Suction cup F110 Nitrile-PVC  
F110.37 | Suction cup F110 HNBR  
11UA | Fitting G1/2" female Al, with mesh filter

**Spare parts**

11VC | Fitting 110, G1/2" female, with cone valve  
F110.20 | Suction cup F110 Silicone