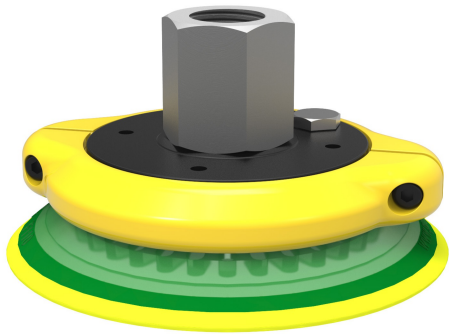


Datasheet

Suction cup F110P Polyurethane 30/60, G1/2" female, clamp ring with cone valve

Item number: F110P.4K.11VC



- Suitable for flat and rough surfaces.
- Fair stability and little inherent movement.
- Recommended when the lifting force is parallel to the surface of the object.
- Dual hardness allowing strength and stability in conjunction with softness and flexibility.
- DURAFLEX® material features the elasticity of rubber in combination with the wear resistance of polyurethane.
- The DURAFLEX® material is mark-free.

Technical data

Description	Unit	Value
Suction cup shape	-	Flat
Application	-	Dry sheet metal, Mark Free
Suction cup design	-	Round
Characteristics	-	Dry sheet metal, Mark free
Material	-	Polyurethane (PU)
Weight, min.	oz	2.89
Suction cup model	-	F
Volume	in ³	3.66
Height	in	2.43
Outer diameter, min.	in	4.53
Outer diameter, actuated	in	4.71
Fitting size	-	1/2"
Fitting option	-	Cone valve
Fitting style	-	Female
Fitting type	-	G-thread
Suction cup model	-	F110P PU30 PU60
Movement, vertical max.	in	0.16
Curve radius, min.	in	9.84

Performance - Lifting forces

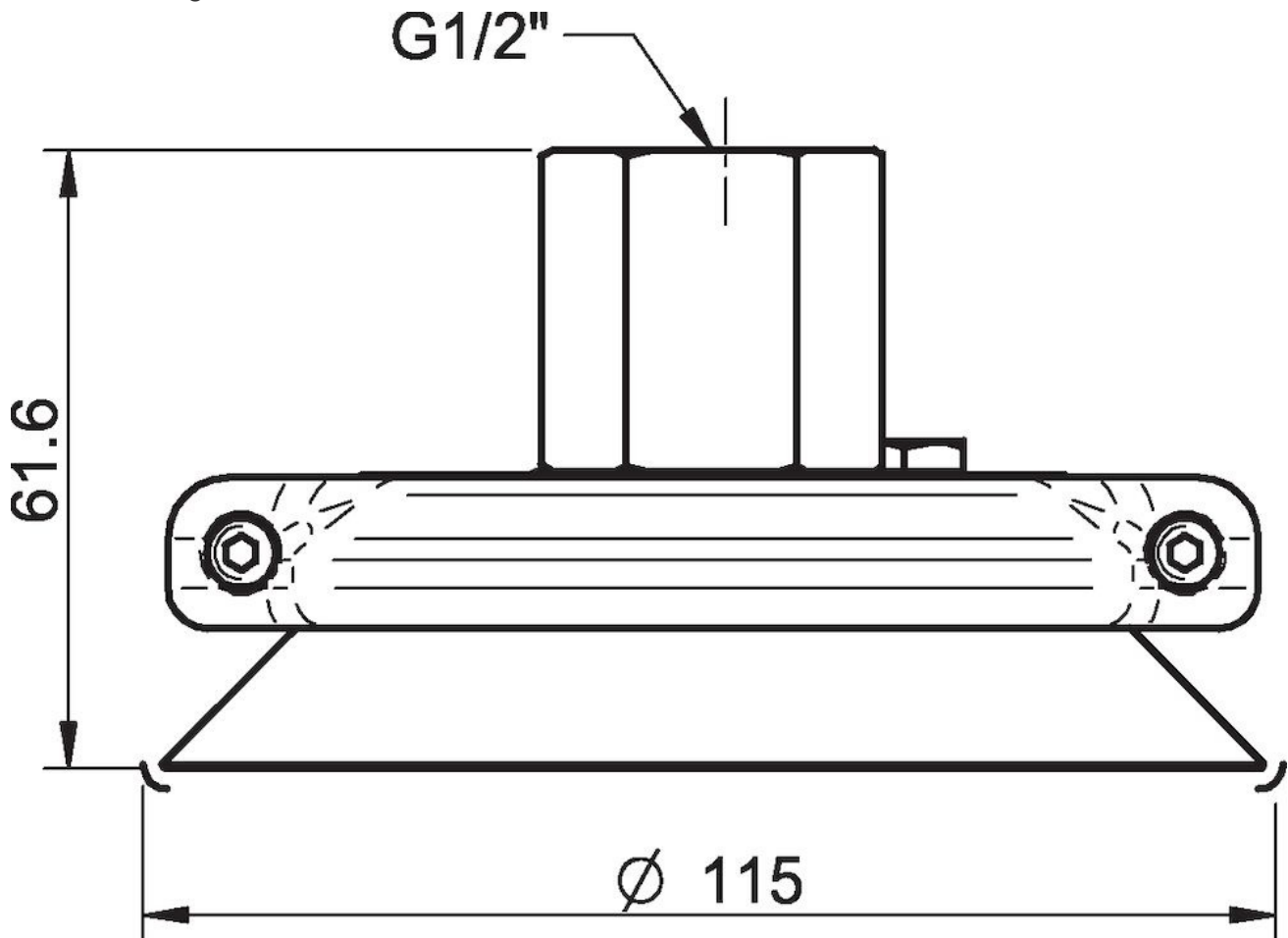
F110P PU30 PU60	Vertical (lb)	Parallel (lb)
5.91 -inHg	37.54	33.50
17.72 -inHg	97.12	99.14
26.58 -inHg	132.86	138.71

Material		
Name	Polyurethane (PU30)	Polyurethane (PU60)
Color	Yellow	Green transparent
Temperature, min. °F	50.0	50.0
Temperature max. °F	122.0	122.0
Hardness °Shore A	30	60

Material resistance

Alcohol	n/a	n/a
Concentrated acids	Fair	Fair
Ethanol	Fair	Fair
Hydrolysis	Fair	Fair
Methanol	Poor	Poor
Oil	Excellent	Excellent
Oxidation	Poor	Poor
Gasoline	Fair	Fair
Wear resistance	Excellent	Excellent
Weather and ozone	Excellent	Excellent

Dimensional drawings



Values specified in this data sheet are tested at (unless otherwise stated):

- Room temperature (20°C [68°F] ± 3°C [5.5°F]).
- Standard atmosphere (101.3 [29.9 inHg] ± 1.0 kPa [0.3 inHg]).
- Relative humidity 20-70%.
- Compressed air quality, DIN ISO 8573-1 class 4.

Accessories

11NA | Fitting 110 G3/8" female, clamp ring with mesh filter

11NB | Fitting 110, 3/8" NPSF female, with mesh filter

11NC | Fitting 110, G1/2" female, clamp ring with mesh filter

F110P.5K | Suction cup F110P Polyurethane 30/60 with collar for Vacuum Gripper System (VGS)

01.07.148 | Thread insert G3/8" male, with O-ring and mesh filter for Vacuum Gripper System (VGS)

F110P.5E | Suction cup F110P Polyurethane 60 with collar for Vacuum Gripper System (VGS)

F110P.4E | Suction cup F110P Polyurethane 60

Spare parts

11VC | Fitting 110, G1/2" female, with cone valve

F110P.4K | Suction cup F110P Polyurethane 30/60