

Suction cup BX52P Polyurethane 60

Item number: BX52P.4E



- Suitable for level adjustment and for uneven and porous surfaces such as cardboard, etc.
- Dual hardness allowing strength and stability in conjunction with softness and flexibility.
- DURAFLEX® material features the elasticity of rubber in combination with the wear resistance of polyurethane.
- The DURAFLEX® material is mark-free.
- Filter disk made of polyester PES4/14 and TPE.

Technical data

Description	Unit	Value
Suction cup shape	-	Multibellows
Application	-	Dry sheet metal, Corrugated cardboard/Paperboard, Plastic injection molded parts, Mark Free
Suction cup design	-	Round
Characteristics	-	Dry sheet metal, Corrugated / cardboard, Plastic injection molded parts, Mark free
Material	-	Polyurethane (PU)
Weight, min.	oz	0.85
Suction cup model	-	BX-P
Volume	in ³	1.83
Height	in	1.54
Outer diameter, min.	in	2.087
Fitting size	-	None
Fitting option	-	None
Fitting style	-	None
Fitting type	-	None
Suction cup model	-	BX52P PU60
Movement, vertical max.	in	0.75
Curve radius, min.	in	1.26

Performance - Lifting forces

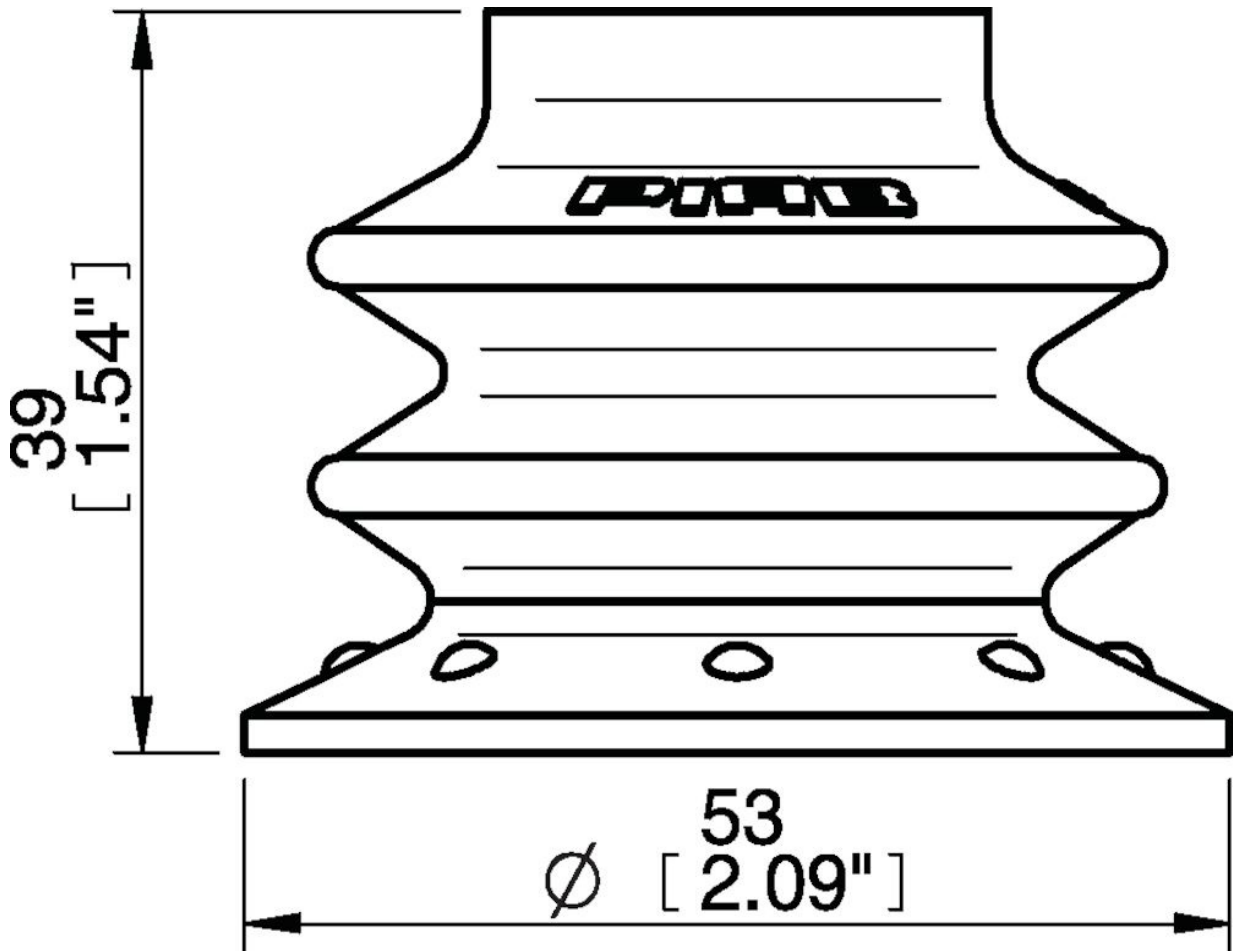
BX52P PU60	Vertical (lb)	Parallel (lb)
5.91 -inHg	7.87	6.070
17.72 -inHg	13.26	11.016
26.58 -inHg	17.98	12.59

Material	
Name	Polyurethane (PU60)
Color	Green transparent
Temperature, min. °F	50.0
Temperature max. °F	122.0
Hardness °Shore A	60

Material resistance

Alcohol	n/a
Concentrated acids	Fair
Ethanol	Fair
Hydrolysis	Fair
Methanol	Poor
Oil	Excellent
Oxidation	Poor
Gasoline	Fair
Wear resistance	Excellent
Weather and ozone	Excellent

Dimensional drawings



Values specified in this data sheet are tested at (unless otherwise stated):

- Room temperature (20°C [68°F] ± 3°C [5.5°F]).
- Standard atmosphere (101.3 [29.9 inHg] ± 1.0 kPa [0.3 inHg]).
- Relative humidity 20-70%.
- Compressed air quality, DIN ISO 8573-1 class 4.

Accessories

- 05AF | Fitting 5x1/8" NPSF female, 50
- 05AG | Fitting 1/8" NPSF female, 50, with mesh filter
- 05AI | Fitting G1/8" male, 50, with mesh filter
- 05AA | Fitting 1/8" NPSF female, 50
- 05AD | Fitting G3/8" male, 50, with mesh filter
- 05AE | Fitting 3/8" NPT male, with mesh filter
- 05AB | Fitting G1/4" male, 50, with mesh filter
- 05AC | Fitting 1/4" NPT male, with mesh filter
- 05DA | Fitting 1/8" NPSF female, 50, with dual flow control valve
- 05DB | Fitting G1/4" male, with dual flow control valve
- 05DC | Fitting 1/4" NPT male, with dual flow control valve
- 05DD | Fitting G3/8" male, 50, with mesh filter and dual flow control valve
- 05DE | Fitting 3/8" NPT male, with dual flow control valve
- 05DF | Fitting 5x1/8" NPSF female, 50, with dual flow control valve

Spare parts

- 02.01.002 | Suction cup filter BX52P, 10 pcs