

## Suction cup BX35P Polyurethane 60

Item number: BX35P.4E



- Suitable for level adjustment and for uneven and porous surfaces such as cardboard, etc.
- Dual hardness allowing strength and stability in conjunction with softness and flexibility.
- DURAFLEX® material features the elasticity of rubber in combination with the wear resistance of polyurethane.
- The DURAFLEX® material is mark-free.
- Filter disk made of polyester PES4/14 and TPE.

### Technical data

Description	Unit	Value
Suction cup shape	-	Multibellows
Application	-	Dry sheet metal, Corrugated cardboard/Paperboard, Plastic injection molded parts, Mark Free
Suction cup design	-	Round
Characteristics	-	Dry sheet metal, Corrugated / cardboard, Plastic injection molded parts, Mark free
Material	-	Polyurethane (PU)
Weight, min.	oz	0.28
Suction cup model	-	BX-P
Volume	in <sup>3</sup>	0.61
Height	in	1.055
Outer diameter, min.	in	1.46
Fitting size	-	None
Fitting option	-	None
Fitting style	-	None
Fitting type	-	None
Suction cup model	-	BX35P PU60
Movement, vertical max.	in	0.55
Curve radius, min.	in	0.39

### Performance - Lifting forces

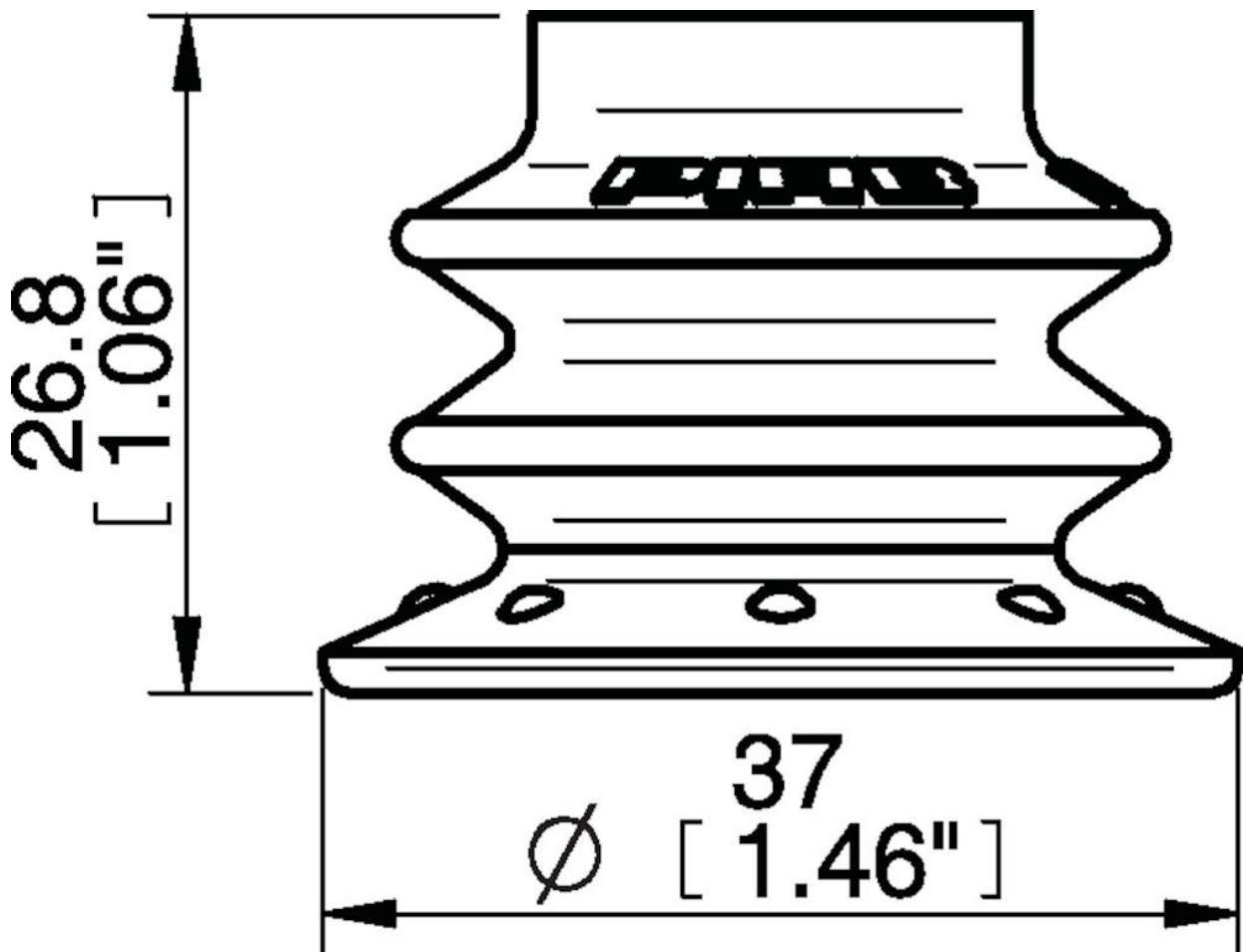
BX35P PU60	Vertical (lb)	Parallel (lb)
5.91 -inHg	3.37	3.15
17.72 -inHg	5.62	5.17
26.58 -inHg	6.74	6.29

Material	
Name	Polyurethane (PU60)
Color	Green transparent
Temperature, min.   °F	50.0
Temperature max.   °F	122.0
Hardness   °Shore A	60

#### Material resistance

Alcohol	n/a
Concentrated acids	Fair
Ethanol	Fair
Hydrolysis	Fair
Methanol	Poor
Oil	Excellent
Oxidation	Poor
Gasoline	Fair
Wear resistance	Excellent
Weather and ozone	Excellent

#### Dimensional drawings



#### Values specified in this data sheet are tested at (unless otherwise stated):

- Room temperature (20°C [68°F] ± 3°C [5.5°F]).
- Standard atmosphere (101.3 [29.9 inHg] ± 1.0 kPa [0.3 inHg]).
- Relative humidity 20-70%.
- Compressed air quality, DIN ISO 8573-1 class 4.

**Accessories**

04AG | Fitting 1/8" NPSF female, 30–40, with mesh filter  
04AI | Fitting G1/8" male, 40, with mesh filter  
04AA | Fitting 1/8" NPSF female, 30–40  
04AD | Fitting G3/8" male, 30–40, with mesh filter  
04AE | Fitting 3/8" NPT male, with mesh filter  
04AB | Fitting G1/4" male, 30–40, with mesh filter  
04AC | Fitting 1/4" NPT male, with mesh filter  
04DA | Fitting 1/8" NPSF female, 30–40, with dual flow control valve  
04DB | Fitting G1/4" male, 30–40, with dual flow control valve  
04DC | Fitting 1/4" NPT male, with dual flow control valve  
04DD | Fitting G3/8" male, 30–40, with dual flow control valve  
04DE | Fitting 3/8" NPT male, with dual flow control valve

**Spare parts**

02.01.001 | Suction cup filter BX35P, 10 pcs