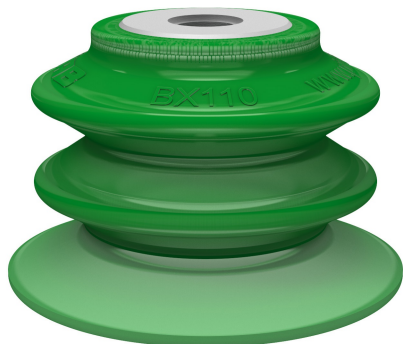


Datasheet

Suction cup BX110P Polyurethane 60 with filter, for thread insert for Vacuum Gripper System (VGS)

Item number: BX110P.5E.F



- Suitable for level adjustment and for uneven and porous surfaces such as cardboard, etc.
- Dual hardness allowing strength and stability in conjunction with softness and flexibility.
- DURAFLEX® material features the elasticity of rubber in combination with the wear resistance of polyurethane.
- The DURAFLEX® material is mark-free.
- Filter disk made of polyester PES4/14 and TPE.

Technical data

Description	Unit	Value
Suction cup shape	-	Multibellows
Application	-	Dry sheet metal, Corrugated cardboard/Paperboard, Plastic injection molded parts, Mark Free
Suction cup design	-	Round
Characteristics	-	Dry sheet metal, Corrugated / cardboard, Plastic injection molded parts, Mark free
Material	-	Polyurethane (PU)
Weight, min.	oz	8.36
Suction cup model	-	BX-P
Volume	in ³	14.035
Height	in	2.91
Outer diameter, min.	in	4.48
Fitting size	-	None
Fitting option	-	Filter
Fitting style	-	None
Fitting type	-	None
Suction cup model	-	BX110P PU60
Movement, vertical max.	in	1.54
Curve radius, min.	in	2.17

Performance - Lifting forces

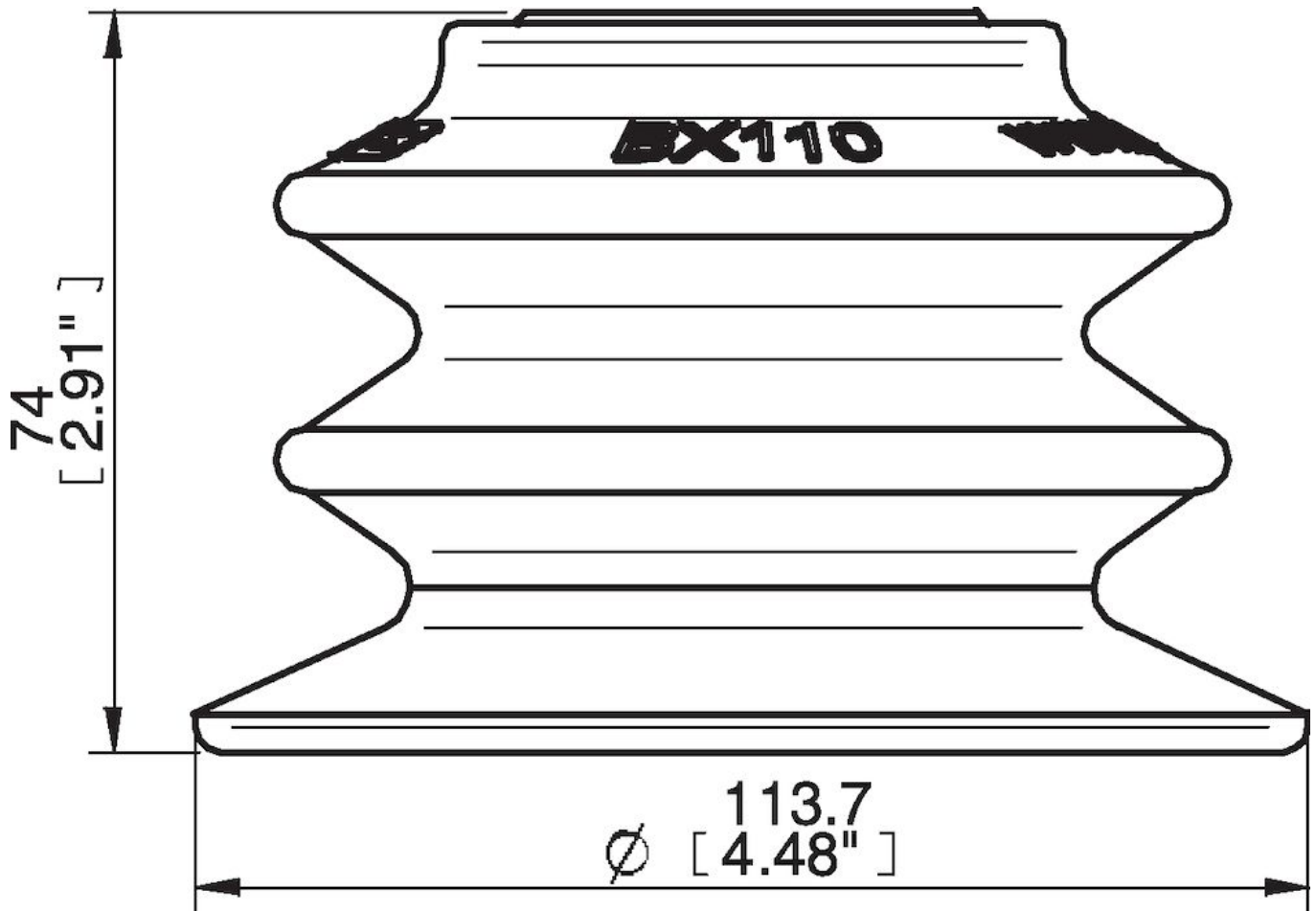
BX110P PU60	Vertical (lb)	Parallel (lb)
5.91 -inHg	40.69	35.52
17.72 -inHg	82.056	54.85
26.58 -inHg	95.32	65.87

Material	
Name	Polyurethane (PU60)
Color	Green transparent
Temperature, min. °F	50.0
Temperature max. °F	122.0
Hardness °Shore A	60

Material resistance

Alcohol	n/a
Concentrated acids	Fair
Ethanol	Fair
Hydrolysis	Fair
Methanol	Poor
Oil	Excellent
Oxidation	Poor
Gasoline	Fair
Wear resistance	Excellent
Weather and ozone	Excellent

Dimensional drawings



Values specified in this data sheet are tested at (unless otherwise stated):

- Room temperature (20°C [68°F] ± 3°C [5.5°F]).
- Standard atmosphere (101.3 [29.9 inHg] ± 1.0 kPa [0.3 inHg]).
- Relative humidity 20-70%.
- Compressed air quality, DIN ISO 8573-1 class 4.

Spare parts

02.01.004 | Suction cup filter BX110P, 10 pcs