

Suction cup BL40-2 Silicone

Item number: BL40-2.20



- Suitable for level adjustment.
- Lifting movement to separate small and thin objects.
- Less suitable when the lifting force is parallel to the surface of the object.
- Optional reinforcement rings made of polyamide.

Technical data

Description	Unit	Value
Suction cup shape	-	Multibellows
Application	-	Bag handling
Suction cup design	-	Round
Characteristics	-	Bag handling
Material	-	Silicone (SIL)
Weight, min.	oz	0.35
Suction cup model	-	BL-2
Volume	in ³	1.65
Height	in	1.67
Outer diameter, min.	in	1.57
Fitting size	-	None
Fitting option	-	None
Fitting style	-	None
Fitting type	-	None
Suction cup model	-	BL40-2
Movement, vertical max.	in	1.063
Curve radius, min.	in	0.43

Performance - Lifting forces

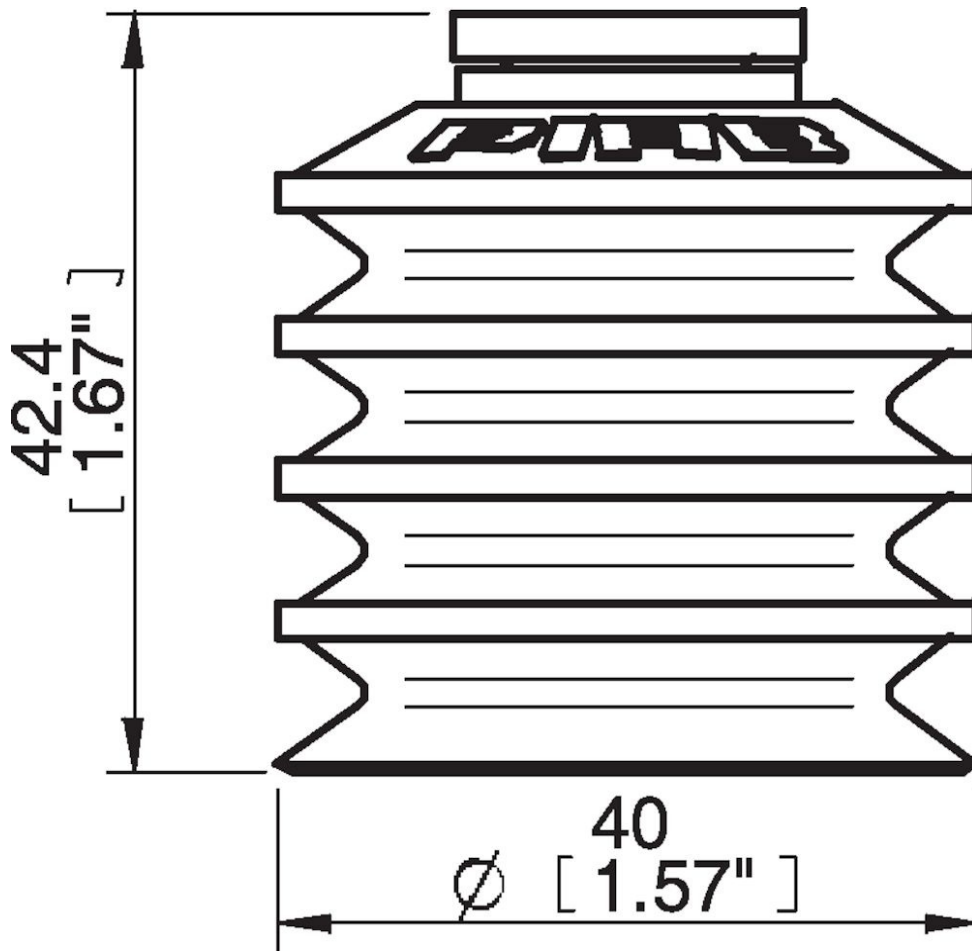
BL40-2	Vertical (lb)	Parallel (lb)
5.91 -inHg	2.47	
17.72 -inHg	6.74	

Material	
Name	Silicone, SIL 50° Shore A
Color	Red
Temperature, min. °F	-40.0
Temperature max. °F	392.0
Hardness °Shore A	50

Material resistance

Alcohol	Good
Concentrated acids	Poor
Ethanol	n/a
Hydrolysis	Fair
Methanol	n/a
Oil	Poor
Oxidation	Excellent
Gasoline	Poor
Wear resistance	Good
Weather and ozone	Excellent

Dimensional drawings



Values specified in this data sheet are tested at (unless otherwise stated):

- Room temperature (20°C [68°F] ± 3°C [5.5°F]).
- Standard atmosphere (101.3 [29.9 inHg] ± 1.0 kPa [0.3 inHg]).
- Relative humidity 20-70%.
- Compressed air quality, DIN ISO 8573-1 class 4.

Accessories

04AF | Fitting 5x1/8" NPSF female, 30–40
04AG | Fitting 1/8" NPSF female, 30–40, with mesh filter
04AI | Fitting G1/8" male, 40, with mesh filter
04CA | Fitting 1/8" NPSF female, 30–40, PA
04AA | Fitting 1/8" NPSF female, 30–40
04AD | Fitting G3/8" male, 30–40, with mesh filter
04AE | Fitting 3/8" NPT male, with mesh filter
04AB | Fitting G1/4" male, 30–40, with mesh filter
04AC | Fitting 1/4" NPT male, with mesh filter
04DA | Fitting 1/8" NPSF female, 30–40, with dual flow control valve
04DB | Fitting G1/4" male, 30–40, with dual flow control valve
04DC | Fitting 1/4" NPT male, with dual flow control valve
04DD | Fitting G3/8" male, 30–40, with dual flow control valve
04DE | Fitting 3/8" NPT male, with dual flow control valve
04DF | Fitting 5x1/8" NPSF female, 30–40, with dual flow control valve
31.50.073 | Strengthening ring set BL40, Set of 4