

## Suction cup BL30-2 Chloroprene

Item number: BL30-2.10



- Suitable for level adjustment.
- Lifting movement to separate small and thin objects.
- Less suitable when the lifting force is parallel to the surface of the object.
- Optional reinforcement rings made of polyamide.

### Technical data

Description	Unit	Value
Suction cup shape	-	Multibellows
Application	-	Bag handling
Suction cup design	-	Round
Characteristics	-	Bag handling
Material	-	Chloroprene (CR)
Weight, min.	oz	0.25
Suction cup model	-	BL-2
Volume	in <sup>3</sup>	0.61
Height	in	1.28
Outer diameter, min.	in	1.18
Fitting size	-	None
Fitting option	-	None
Fitting style	-	None
Fitting type	-	None
Suction cup model	-	BL30-2
Movement, vertical max.	in	0.71
Curve radius, min.	in	0.31

### Performance - Lifting forces

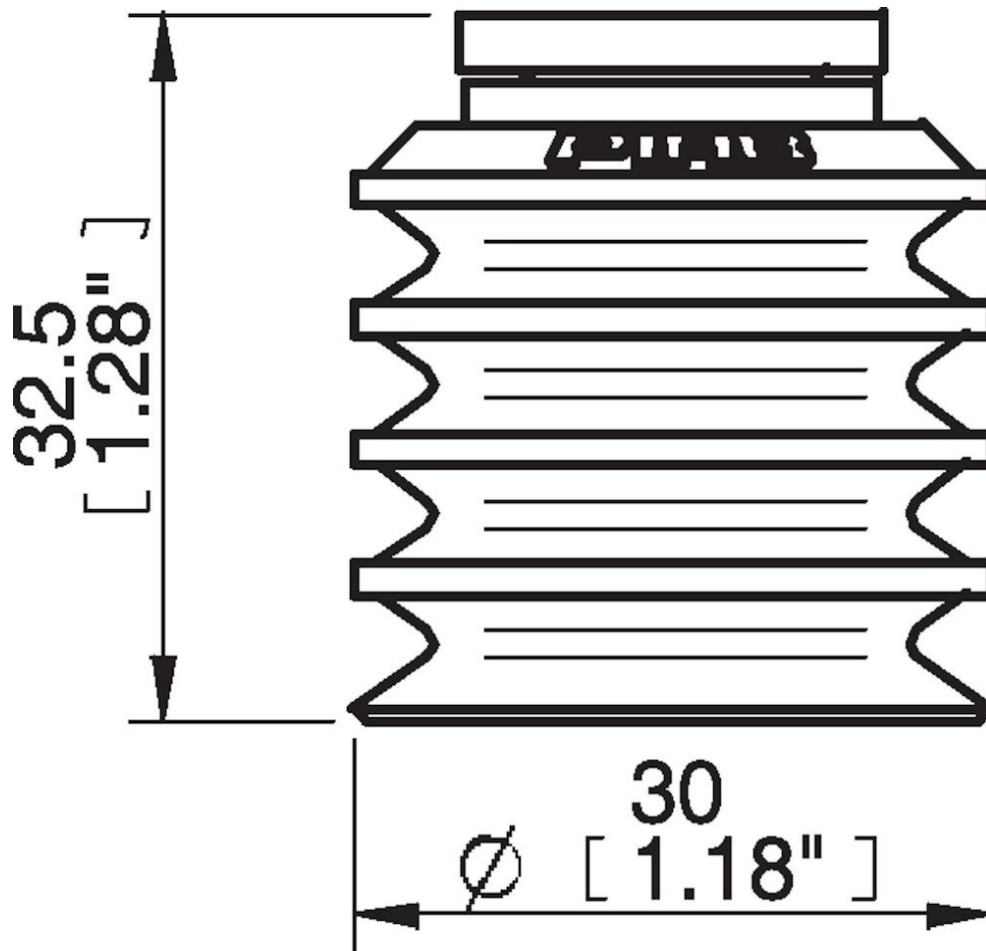
BL30-2	Vertical (lb)	Parallel (lb)
5.91 -inHg	1.57	
17.72 -inHg	4.047	

Material	
Name	Chloroprene (CR) 65° Shore A
Color	Black
Temperature, min.   °F	-40.0
Temperature max.   °F	230.0
Hardness   °Shore A	65

#### Material resistance

Alcohol	Good
Concentrated acids	Poor
Ethanol	n/a
Hydrolysis	Good
Methanol	n/a
Oil	Fair
Oxidation	Good
Gasoline	Fair
Wear resistance	Excellent
Weather and ozone	Good

#### Dimensional drawings



#### Values specified in this data sheet are tested at (unless otherwise stated):

- Room temperature (20°C [68°F] ± 3°C [5.5°F]).
- Standard atmosphere (101.3 [29.9 inHg] ± 1.0 kPa [0.3 inHg]).
- Relative humidity 20-70%.
- Compressed air quality, DIN ISO 8573-1 class 4.

## Accessories

- 04AF | Fitting 5x1/8" NPSF female, 30–40
- 04AG | Fitting 1/8" NPSF female, 30–40, with mesh filter
- 04AI | Fitting G1/8" male, 40, with mesh filter
- 04CA | Fitting 1/8" NPSF female, 30–40, PA
- 04AA | Fitting 1/8" NPSF female, 30–40
- 04AD | Fitting G3/8" male, 30–40, with mesh filter
- 04AE | Fitting 3/8" NPT male, with mesh filter
- 04AB | Fitting G1/4" male, 30–40, with mesh filter
- 04AC | Fitting 1/4" NPT male, with mesh filter
- 04DA | Fitting 1/8" NPSF female, 30–40, with dual flow control valve
- 04DB | Fitting G1/4" male, 30–40, with dual flow control valve
- 04DC | Fitting 1/4" NPT male, with dual flow control valve
- 04DD | Fitting G3/8" male, 30–40, with dual flow control valve
- 04DE | Fitting 3/8" NPT male, with dual flow control valve
- 04DF | Fitting 5x1/8" NPSF female, 30–40, with dual flow control valve