

Datasheet

Suction cup B75 Nitrile-PVC, G1/2" female AI, with mesh filter

Item number: B75.30.07UD



- Suitable for level adjustment. Several short bellows in one lifting device can handle objects with height differences and varying shapes, for example embossed or corrugated plates.
- The lifting movement can be used to separate small and thin objects.
- Only lightweight objects should be handled when the lifting force is parallel to the surface of the object, in order to achieve good precision and safe lifting movement.

Technical data

Description	Unit	Value
Suction cup shape	-	Bellows
Application	-	Dry sheet metal, Plastic injection molded parts
Suction cup design	-	Round
Characteristics	-	Dry sheet metal, Plastic injection molded parts
Material	-	Nitrile-PVC (NPV)
Weight, min.	oz	1.23
Suction cup model	-	B
Volume	in ³	6.71
Height	in	1.98
Outer diameter, min.	in	3.071
Fitting size	-	1/2"
Fitting option	-	Filter mesh
Fitting style	-	Female
Fitting type	-	G-thread
Suction cup model	-	B75
Movement, vertical max.	in	0.94
Curve radius, min.	in	1.57

Performance - Lifting forces

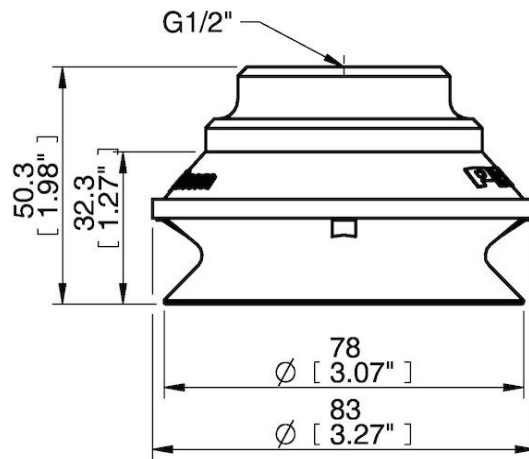
B75	Vertical (lb)	Parallel (lb)
5.91 -inHg	16.64	14.028
17.72 -inHg	37.54	27.52
26.58 -inHg	50.81	34.64

Material	
Name	Nitrile-PVC (NPV)
Color	Black
Temperature, min. °F	32.0
Temperature max. °F	194.0
Hardness °Shore A	50

Material resistance

Alcohol	Good
Concentrated acids	Fair
Ethanol	n/a
Hydrolysis	Good
Methanol	n/a
Oil	Excellent
Oxidation	Good
Gasoline	Excellent
Wear resistance	Excellent
Weather and ozone	Good

Dimensional drawings



Values specified in this data sheet are tested at (unless otherwise stated):

- Room temperature (20°C [68°F] ± 3°C [5.5°F]).
- Standard atmosphere (101.3 [29.9 inHg] ± 1.0 kPa [0.3 inHg]).
- Relative humidity 20-70%.
- Compressed air quality, DIN ISO 8573-1 class 4.

Accessories

07NA | Fitting 75, 1/8" NPSF female, clamp ring with mesh filter
07ND | Fitting 75, G3/8" female, clamp ring with mesh filter
07NE | Fitting 75, 3/8" NPSF female, with mesh filter
07NF | Fitting 75, G1/2" female, clamp ring with mesh filter
07UA | Fitting 1/8" NPSF female Al, with mesh filter
07UH | Fitting 1/4" NPT female Al, with mesh filter & 10-32 addl. conn.
B75.30.W | Suction cup B75 Nitrile-PVC with washer
B75.20.W | Suction cup B75 Silicone with washer
B75.37.W | Suction cup B75 HNBR with washer
B75.20 | Suction cup B75 Silicone
B75.37 | Suction cup B75 HNBR

Spare parts

07UD | Fitting G1/2" female Al, with mesh filter
B75.30 | Suction cup B75 Nitrile-PVC