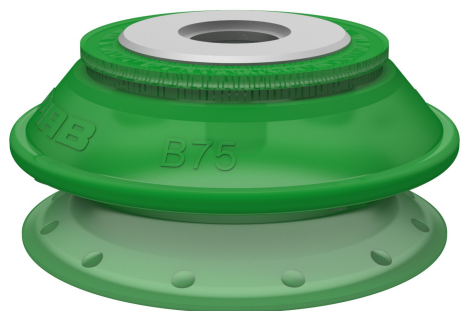


Datasheet

Suction cup B75P Polyurethane 60 with collar for Vacuum Gripper System (VGS)

Item number: B75P.5E



- Suitable for level adjustment and for uneven and porous surfaces such as cardboard, etc.
- Dual hardness allowing strength and stability in conjunction with softness and flexibility.
- DURAFLEX® material features the elasticity of rubber in combination with the wear resistance of polyurethane.
- The DURAFLEX® material is mark-free.

Technical data

Description	Unit	Value
Suction cup shape	-	Bellows
Application	-	Dry sheet metal, Plastic injection molded parts, Mark Free
Suction cup design	-	Round
Characteristics	-	Dry sheet metal, Plastic injection molded parts, Mark free
Material	-	Polyurethane (PU)
Weight, min.	oz	2.54
Suction cup model	-	B-P
Volume	in ³	6.71
Height	in	1.53
Outer diameter, min.	in	3.020
Outer diameter, actuated	in	3.40
Fitting size	-	None
Fitting option	-	None
Fitting style	-	None
Fitting type	-	None
Suction cup model	-	B75P PU60
Movement, vertical max.	in	0.90
Curve radius, min.	in	3.54

Performance - Lifting forces

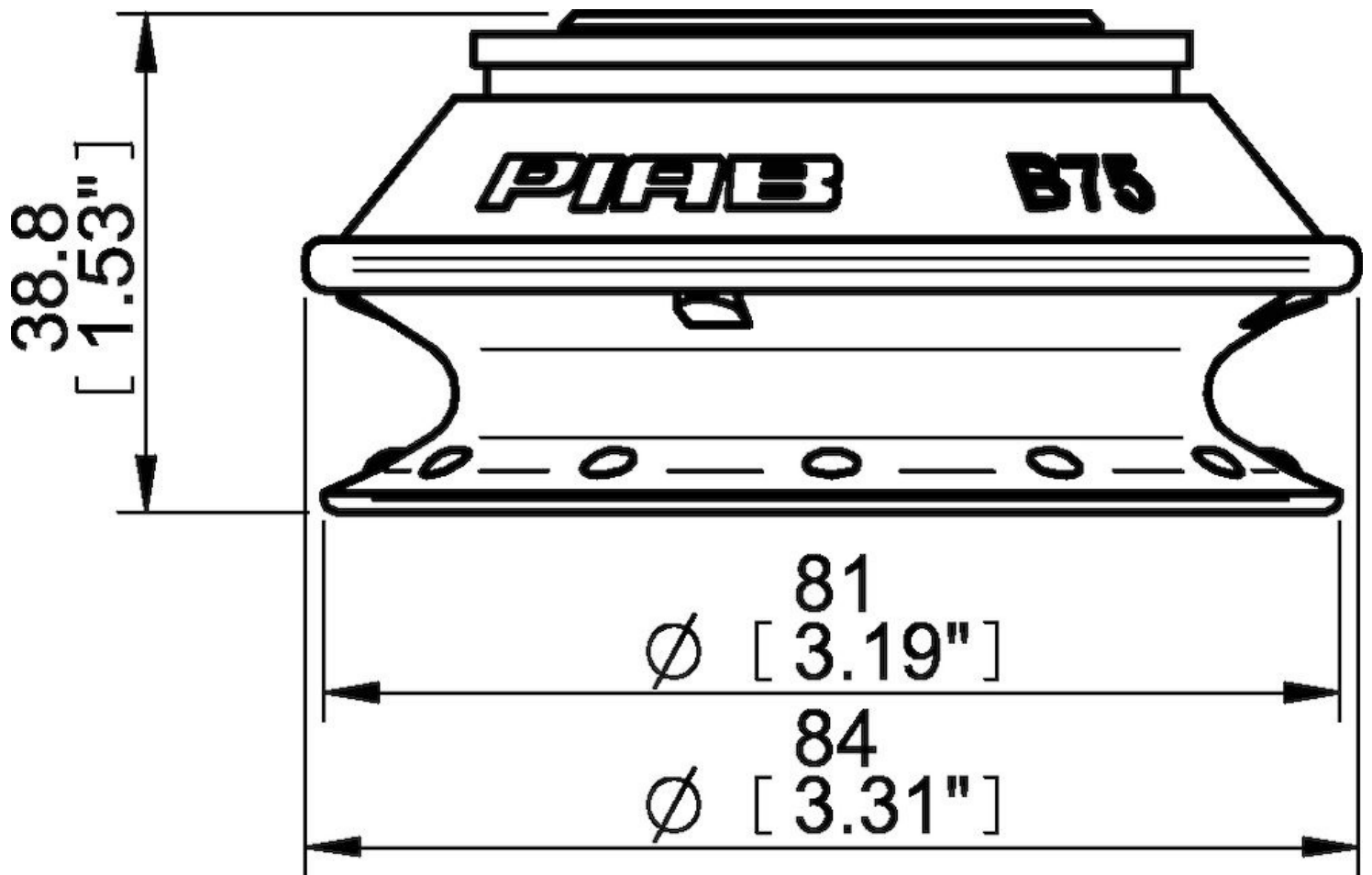
B75P PU60	Vertical (lb)	Parallel (lb)
5.91 -inHg	18.66	27.20
17.72 -inHg	44.063	51.48
26.58 -inHg	57.33	66.99

Material	
Name	Polyurethane (PU60)
Color	Green transparent
Temperature, min. °F	50.0
Temperature max. °F	122.0
Hardness °Shore A	60

Material resistance

Alcohol	n/a
Concentrated acids	Fair
Ethanol	Fair
Hydrolysis	Fair
Methanol	Poor
Oil	Excellent
Oxidation	Poor
Gasoline	Fair
Wear resistance	Excellent
Weather and ozone	Excellent

Dimensional drawings



Values specified in this data sheet are tested at (unless otherwise stated):

- Room temperature (20°C [68°F] ± 3°C [5.5°F]).
- Standard atmosphere (101.3 [29.9 inHg] ± 1.0 kPa [0.3 inHg]).
- Relative humidity 20-70%.
- Compressed air quality, DIN ISO 8573-1 class 4.

Accessories

01.07.148 | Thread insert G3/8" male, with O-ring and mesh filter for Vacuum Gripper System (VGS)