

Datasheet

Suction cup B75P Polyurethane 30/60, G1/2" female, with mesh filter

Item number: B75P.4K.07NF



- Suitable for level adjustment and for uneven and porous surfaces such as cardboard, etc.
- Dual hardness allowing strength and stability in conjunction with softness and flexibility.
- DURAFLEX® material features the elasticity of rubber in combination with the wear resistance of polyurethane.
- The DURAFLEX® material is mark-free.

Technical data

Description	Unit	Value
Suction cup shape	-	Bellows
Application	-	Dry sheet metal, Plastic injection molded parts, Mark Free
Suction cup design	-	Round
Characteristics	-	Dry sheet metal, Plastic injection molded parts, Mark free
Material	-	Polyurethane (PU)
Weight, min.	oz	4.48
Suction cup model	-	B-P
Volume	in ³	6.71
Height	in	1.98
Outer diameter, min.	in	3.020
Outer diameter, actuated	in	3.40
Fitting size	-	1/2"
Fitting option	-	Filter mesh
Fitting style	-	Female
Fitting type	-	G-thread
Suction cup model	-	B75P PU30 PU60
Movement, vertical max.	in	0.90
Curve radius, min.	in	3.54

Performance - Lifting forces

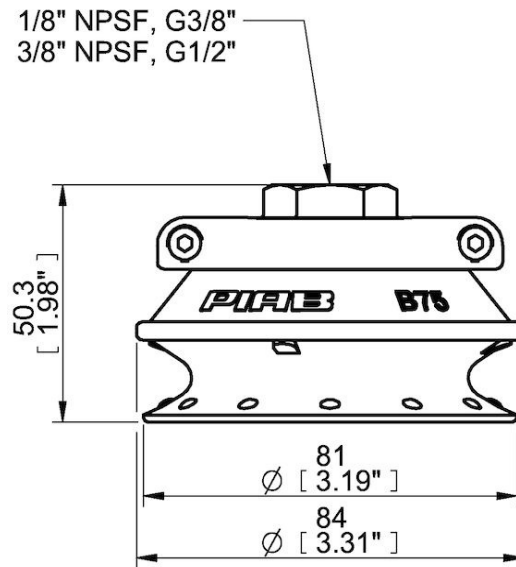
B75P PU30 PU60	Vertical (lb)	Parallel (lb)
5.91 -inHg	13.71	9.89
17.72 -inHg	33.50	21.58
26.58 -inHg	45.41	25.63

Material		
Name	Polyurethane (PU30)	Polyurethane (PU60)
Color	Yellow	Green transparent
Temperature, min. °F	50.0	50.0
Temperature max. °F	122.0	122.0
Hardness °Shore A	30	60

Material resistance

Alcohol	n/a	n/a
Concentrated acids	Fair	Fair
Ethanol	Fair	Fair
Hydrolysis	Fair	Fair
Methanol	Poor	Poor
Oil	Excellent	Excellent
Oxidation	Poor	Poor
Gasoline	Fair	Fair
Wear resistance	Excellent	Excellent
Weather and ozone	Excellent	Excellent

Dimensional drawings



Values specified in this data sheet are tested at (unless otherwise stated):

- Room temperature (20°C [68°F] ± 3°C [5.5°F]).
- Standard atmosphere (101.3 [29.9 inHg] ± 1.0 kPa [0.3 inHg]).
- Relative humidity 20-70%.
- Compressed air quality, DIN ISO 8573-1 class 4.

Accessories

07NA | Fitting 75, 1/8" NPSF female, clamp ring with mesh filter

07ND | Fitting 75, G3/8" female, clamp ring with mesh filter

07NE | Fitting 75, 3/8" NPSF female, with mesh filter

B75P.5K | Suction cup B75P Polyurethane 30/60 with collar for Vacuum Gripper System (VGS)

01.07.148 | Thread insert G3/8" male, with O-ring and mesh filter for Vacuum Gripper System (VGS)

B75P.5E | Suction cup B75P Polyurethane 60 with collar for Vacuum Gripper System (VGS)

B75P.4E | Suction cup B75P Polyurethane 60

Spare parts

07NF | Fitting 75, G1/2" female, clamp ring with mesh filter

B75P.4K | Suction cup B75P Polyurethane 30/60