

Datasheet

Suction cup B75-2 Nitrile-PVC, G1/2" female AI, with mesh filter

Item number: B75-2.30.07UD



- Suitable for level adjustment. Several short bellows in one lifting device can handle objects with height differences and varying shapes, for example embossed or corrugated plates.
- Lifting movement to separate small and thin objects.
- Only lightweight objects should be handled when the lifting force is parallel to the surface of the object, in order to achieve good precision and safe lifting movement.
- Filter disk made of PE.

Technical data

Description	Unit	Value
Suction cup shape	-	Bellows
Application	-	Dry sheet metal, Plastic injection molded parts
Suction cup design	-	Round
Characteristics	-	Dry sheet metal, Plastic injection molded parts
Material	-	Nitrile-PVC (NPV)
Weight, min.	oz	1.23
Suction cup model	-	B
Volume	in ³	6.71
Height	in	1.97
Outer diameter, min.	in	3.071
Fitting size	-	1/2"
Fitting option	-	Filter mesh
Fitting style	-	Female
Fitting type	-	G-thread
Suction cup model	-	B75
Movement, vertical max.	in	0.94
Curve radius, min.	in	1.57

Performance - Lifting forces

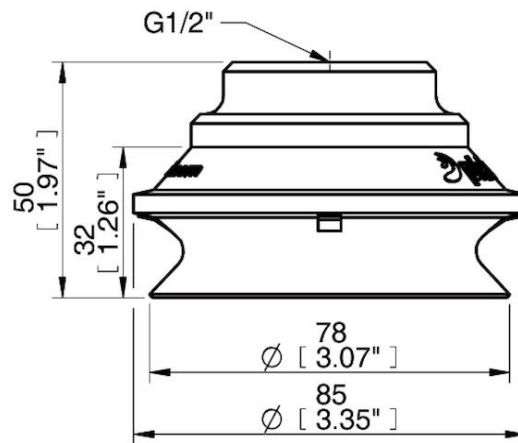
B75	Vertical (lb)	Parallel (lb)
5.91 -inHg	16.64	14.028
17.72 -inHg	37.54	27.52
26.58 -inHg	50.81	34.64

Material	
Name	Nitrile-PVC (NPV)
Color	Black
Temperature, min. °F	32.0
Temperature max. °F	194.0
Hardness °Shore A	50

Material resistance

Alcohol	Good
Concentrated acids	Fair
Ethanol	n/a
Hydrolysis	Good
Methanol	n/a
Oil	Excellent
Oxidation	Good
Gasoline	Excellent
Wear resistance	Excellent
Weather and ozone	Good

Dimensional drawings



Values specified in this data sheet are tested at (unless otherwise stated):

- Room temperature (20°C [68°F] ± 3°C [5.5°F]).
- Standard atmosphere (101.3 [29.9 inHg] ± 1.0 kPa [0.3 inHg]).
- Relative humidity 20-70%.
- Compressed air quality, DIN ISO 8573-1 class 4.

Accessories

07NA | Fitting 75, 1/8" NPSF female, clamp ring with mesh filter
07ND | Fitting 75, G3/8" female, clamp ring with mesh filter
07NE | Fitting 75, 3/8" NPSF female, with mesh filter
07NF | Fitting 75, G1/2" female, clamp ring with mesh filter
B75-2.20 | Suction cup B75-2 Silicone, with filter
07UA | Fitting 1/8" NPSF female AI, with mesh filter
07UH | Fitting 1/4" NPT female AI, with mesh filter & 10-32 addl. conn.
02.01.149 | Filter D=80, 10 pcs, for B75-2
B75-2.30.W | Suction cup B75-2 Nitrile-PVC, with filter & washer
B75-2.20.W | Suction cup B75-2 Silicone, with filter & washer

Spare parts

B75-2.30 | Suction cup B75-2 Nitrile-PVC, with filter
07UD | Fitting G1/2" female AI, with mesh filter