

Suction cup B75-2 Silicone FCM, with filter

Item number: B75-2.21



- The silicone material complies with FDA 21 CFR 177.2600 & EU 1935/2004.
- Suitable for level adjustment. Several short bellows in one lifting device can handle objects with height differences and varying shapes, for example embossed or corrugated plates.
- Lifting movement to separate small and thin objects.
- Only lightweight objects should be handled when the lifting force is parallel to the surface of the object, in order to achieve good precision and safe lifting movement.

Technical data

Description	Unit	Value
Suction cup shape	-	Bellows
Application	-	Food contact materials (FDA & EU), non-detectable
Suction cup design	-	Round
Characteristics	-	Food contact materials (FDA & EU), non-detectable
Material	-	Silicone (SIL)
Weight, min.	oz	1.48
Suction cup model	-	B
Volume	in ³	6.71
Height	in	1.46
Outer diameter, min.	in	3.13
Outer diameter, actuated	in	3.46
Fitting size	-	None
Fitting option	-	Filter
Fitting style	-	None
Fitting type	-	None
Suction cup model	-	B75
Movement, vertical max.	in	0.94
Curve radius, min.	in	1.57

Performance - Lifting forces

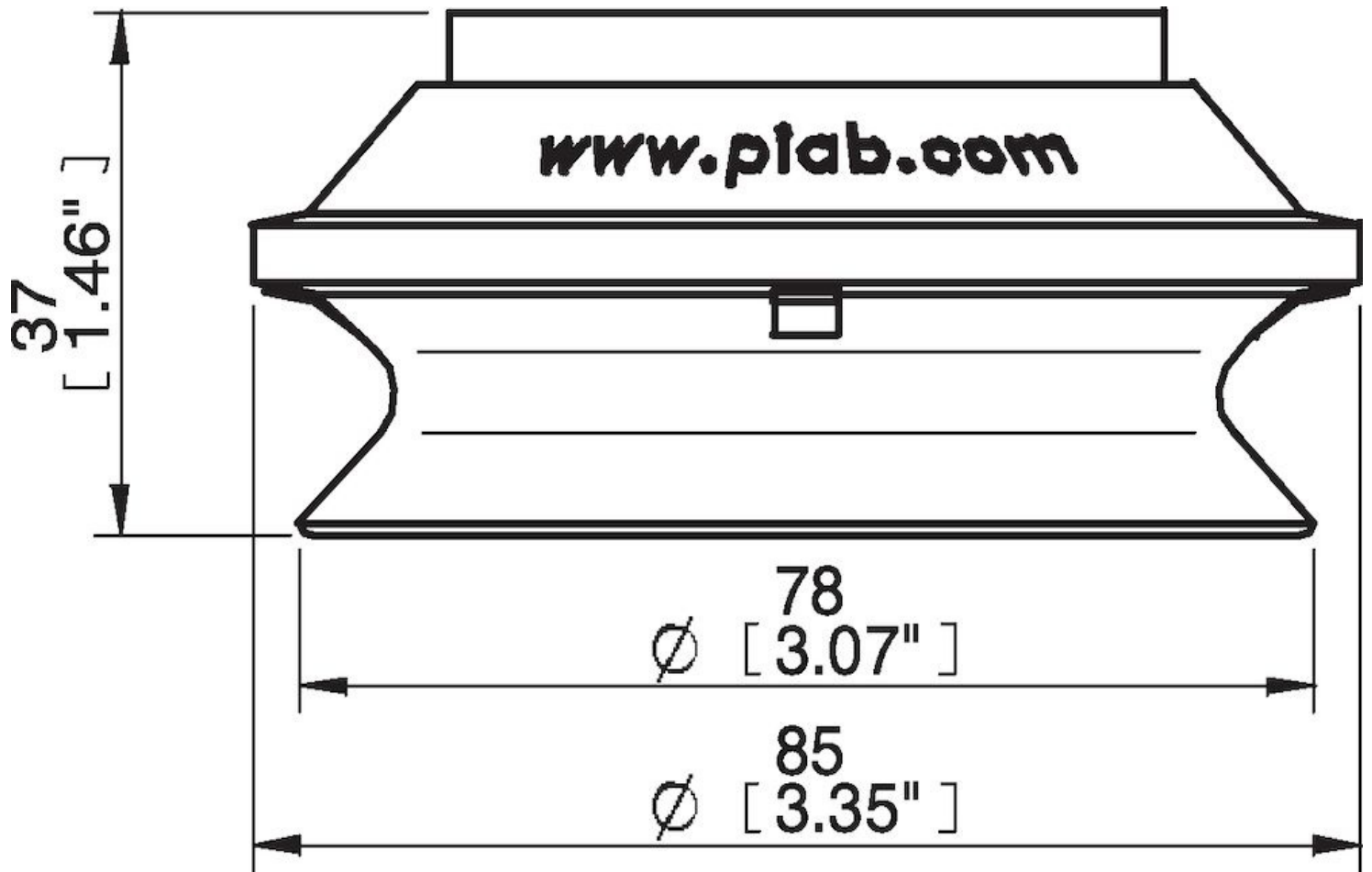
B75	Vertical (lb)	Parallel (lb)
5.91 -inHg	16.64	14.028
17.72 -inHg	37.54	27.52
26.58 -inHg	50.81	34.64

Material	
Name	Silicone (SIL FDA) 50° Shore
Color	Transparent
Temperature, min. °F	-40.0
Temperature max. °F	392.0
Hardness °Shore A	50

Material resistance

Alcohol	Good
Concentrated acids	Poor
Ethanol	n/a
Hydrolysis	Fair
Methanol	n/a
Oil	Poor
Oxidation	Excellent
Gasoline	Poor
Wear resistance	Good
Weather and ozone	Excellent

Dimensional drawings



Values specified in this data sheet are tested at (unless otherwise stated):

- Room temperature (20°C [68°F] ± 3°C [5.5°F]).
- Standard atmosphere (101.3 [29.9 inHg] ± 1.0 kPa [0.3 inHg]).
- Relative humidity 20-70%.
- Compressed air quality, DIN ISO 8573-1 class 4.

Accessories

07ND | Fitting 75, G3/8" female, clamp ring with mesh filter

07NF | Fitting 75, 3/8" NPSF female, with mesh filter

Spare parts

02.01.149 | Filter D=80, 10 pcs, for B75-2