

Suction cup B5 Silicone, M5 male

Item number: B5.20.01AB



- Lifting movement to separate small and thin objects.
- Only lightweight objects should be handled when the lifting force is parallel to the surface.
- Suitable for level adjustment.
- Suction cups of conductive silicone and semi-conductive EPDM are suitable for objects with sensitivity to static electricity.

Technical data

Description	Unit	Value
Suction cup shape	-	Bellows
Application	-	Dry sheet metal, Electronic / semiconductor, Plastic injection molded parts
Suction cup design	-	Round
Characteristics	-	Dry sheet metal, Electronic / semiconductor, Plastic injection molded parts
Material	-	Silicone (SIL)
Weight, min.	oz	0.0039
Suction cup model	-	B
Volume	in ³	0.0031
Height	in	0.66
Outer diameter, min.	in	0.22
Outer diameter, actuated	in	0.25
Fitting size	-	M5
Fitting option	-	None
Fitting style	-	Male
Fitting type	-	M-thread
Suction cup model	-	B5
Movement, vertical max.	in	0.059
Curve radius, min.	in	0.059

Performance - Lifting forces

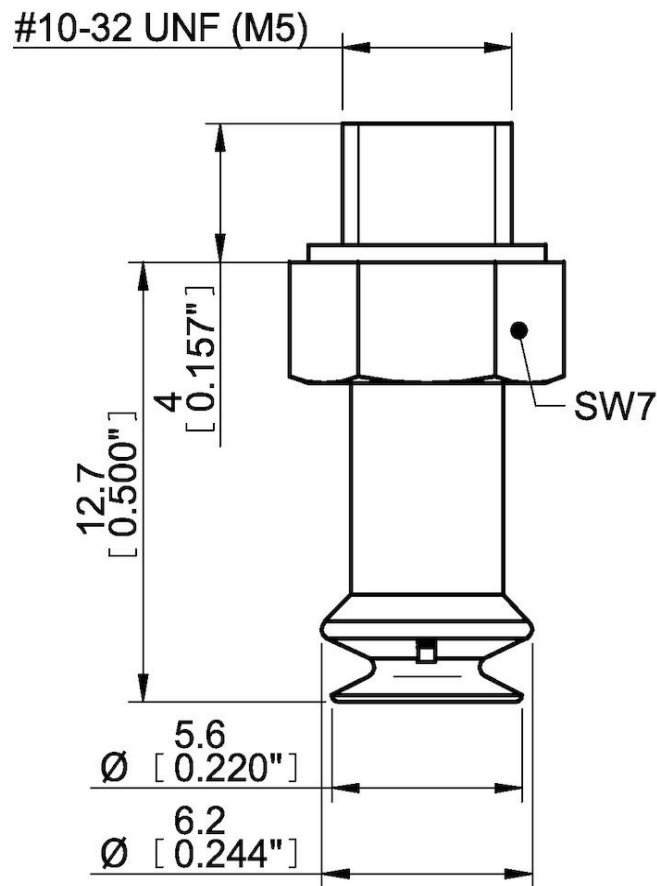
B5	Vertical (lb)	Parallel (lb)
5.91 -inHg	0.067	
17.72 -inHg	0.18	
26.58 -inHg	0.22	

Material	
Name	Silicone, SIL 50° Shore A
Color	Red
Temperature, min. °F	-40.0
Temperature max. °F	392.0
Hardness °Shore A	50

Material resistance

Alcohol	Good
Concentrated acids	Poor
Ethanol	n/a
Hydrolysis	Fair
Methanol	n/a
Oil	Poor
Oxidation	Excellent
Gasoline	Poor
Wear resistance	Good
Weather and ozone	Excellent

Dimensional drawings



Values specified in this data sheet are tested at (unless otherwise stated):

- Room temperature (20°C [68°F] ± 3°C [5.5°F]).
- Standard atmosphere (101.3 [29.9 inHg] ± 1.0 kPa [0.3 inHg]).
- Relative humidity 20-70%.
- Compressed air quality, DIN ISO 8573-1 class 4.

Accessories

B5.50 | Suction cup B5 Semi-conductive EPDM

B5.47 | Suction cup B5 HNBR

B5.10 | Suction cup B5 Chloroprene

B5.25 | Suction cup B5 Conductive silicone

Spare parts

01AB | Fitting M5 male, 5–8

B5.20 | Suction cup B5 Silicone