

## Suction cup B50 Nitrile-PVC, 5x1/8" NPSF female

Item number: B50.30.05AF



- Suitable for level adjustment. Several short bellows in one lifting device can handle objects with height differences and varying shapes, for example embossed or corrugated plates.
- The lifting movement can be used to separate small and thin objects.
- Only lightweight objects should be handled when the lifting force is parallel to the surface of the object, in order to achieve good precision and safe lifting movement.

### Technical data

Description	Unit	Value
Suction cup shape	-	Bellows
Application	-	Dry sheet metal, Plastic injection molded parts
Suction cup design	-	Round
Characteristics	-	Dry sheet metal, Plastic injection molded parts
Material	-	Nitrile-PVC (NPV)
Weight, min.	oz	0.71
Suction cup model	-	B
Volume	in <sup>3</sup>	1.95
Height	in	2.098
Outer diameter, min.	in	2.11
Outer diameter, actuated	in	2.36
Fitting size	-	5x1/8"
Fitting option	-	None
Fitting style	-	Female
Fitting type	-	NPSF-thread
Suction cup model	-	B50
Movement, vertical max.	in	0.72
Curve radius, min.	in	1.18

### Performance - Lifting forces

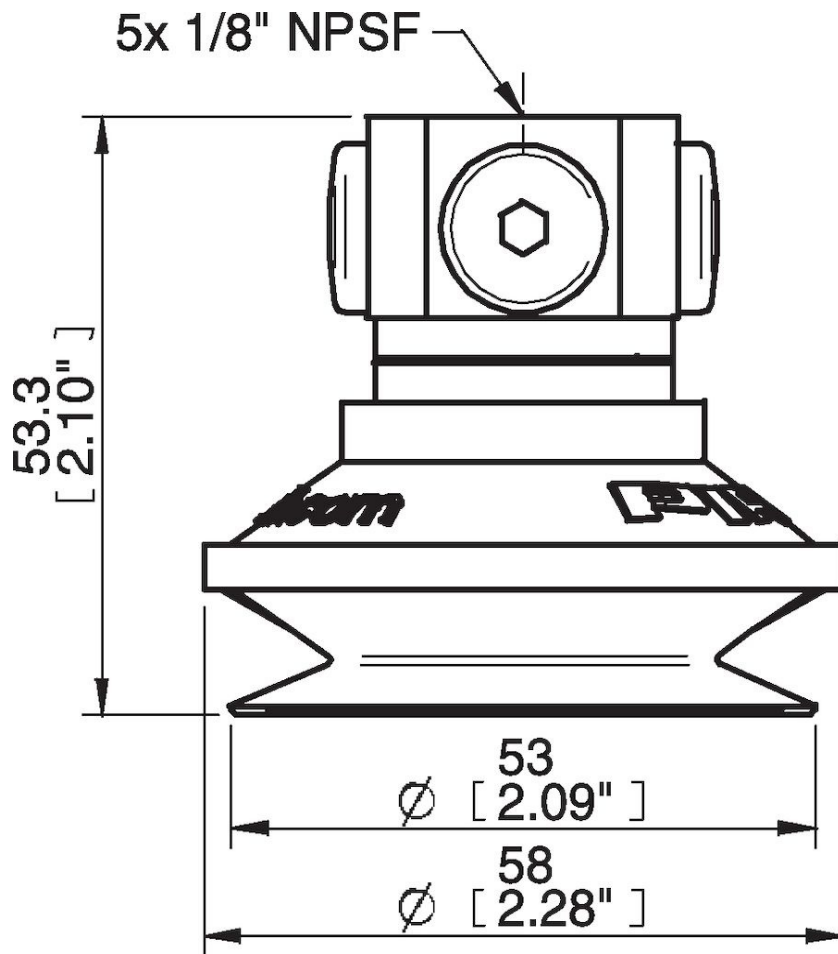
B50	Vertical (lb)	Parallel (lb)
5.91 -inHg	7.42	5.44
17.72 -inHg	14.61	11.51
26.58 -inHg	18.43	13.67

Material	
Name	Nitrile-PVC (NPV)
Color	Black
Temperature, min.   °F	32.0
Temperature max.   °F	194.0
Hardness   °Shore A	50

#### Material resistance

Alcohol	Good
Concentrated acids	Fair
Ethanol	n/a
Hydrolysis	Good
Methanol	n/a
Oil	Excellent
Oxidation	Good
Gasoline	Excellent
Wear resistance	Excellent
Weather and ozone	Good

#### Dimensional drawings



#### Values specified in this data sheet are tested at (unless otherwise stated):

- Room temperature (20°C [68°F] ± 3°C [5.5°F]).
- Standard atmosphere (101.3 [29.9 inHg] ± 1.0 kPa [0.3 inHg]).
- Relative humidity 20-70%.
- Compressed air quality, DIN ISO 8573-1 class 4.

**Accessories**

B50.20 | Suction cup B50 Silicone

05AG | Fitting 1/8" NPSF female, 50, with mesh filter

B50.37 | Suction cup B50 HNBR

05AI | Fitting G1/8" male, 50, with mesh filter

05CA | Fitting 1/8" NPSF female, 50, PA

05AA | Fitting 1/8" NPSF female, 50

05AD | Fitting G3/8" male, 50, with mesh filter

05AE | Fitting 3/8" NPT male, with mesh filter

05AB | Fitting G1/4" male, 50, with mesh filter

05AC | Fitting 1/4" NPT male, with mesh filter

05DA | Fitting 1/8" NPSF female, 50, with dual flow control valve

05DB | Fitting G1/4" male, with dual flow control valve

05DC | Fitting 1/4" NPT male, with dual flow control valve

05DD | Fitting G3/8" male, 50, with mesh filter and dual flow control valve

05DE | Fitting 3/8" NPT male, with dual flow control valve

05DF | Fitting 5x1/8" NPSF female, 50, with dual flow control valve

**Spare parts**

05AF | Fitting 5x1/8" NPSF female, 50

B50.30 | Suction cup B50 Nitrile-PVC