

## Datasheet

# Suction cup B40 Chloroprene, 1/8" NPSF female, with dual flow control valve

Item number: B40.10.04DA



- Suitable for level adjustment. Several short bellows in one lifting device can handle objects with height differences and varying shapes, for example embossed or corrugated plates.
- The lifting movement can be used to separate small and thin objects.
- Only lightweight objects should be handled when the lifting force is parallel to the surface of the object, in order to achieve good precision and safe lifting movement.

### Technical data

Description	Unit	Value
Suction cup shape	-	Bellows
Application	-	Dry sheet metal, Plastic injection molded parts
Suction cup design	-	Round
Characteristics	-	Dry sheet metal, Plastic injection molded parts
Material	-	Chloroprene (CR)
Weight, min.	oz	0.35
Suction cup model	-	B
Volume	in <sup>3</sup>	0.92
Leakage flow, max.	scfm	0.28
Height	in	1.42
Outer diameter, min.	in	1.80
Outer diameter, actuated	in	1.95
Fitting size	-	1/8"
Fitting option	-	Dual flow control valve
Fitting style	-	Female
Fitting type	-	NPSF-thread
Valve restriction	in	0.035
Suction cup model	-	B40
Movement, vertical max.	in	0.53
Curve radius, min.	in	0.79

### Performance - Lifting forces

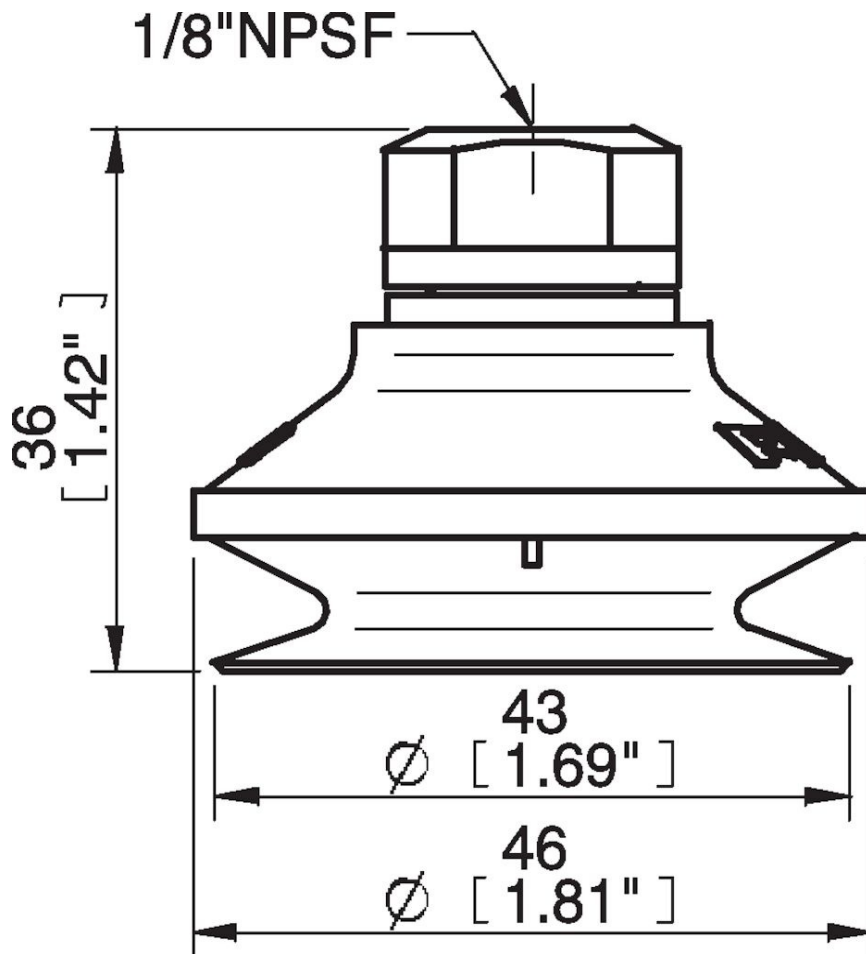
B40	Vertical (lb)	Parallel (lb)
5.91 -inHg	4.95	3.84
17.72 -inHg	8.77	5.91
26.58 -inHg	11.016	6.86

Material	
Name	Chloroprene (CR) 50° Shore A
Color	Black
Temperature, min.   °F	-40.0
Temperature max.   °F	230.0
Hardness   °Shore A	50

#### Material resistance

Alcohol	Good
Concentrated acids	Poor
Ethanol	n/a
Hydrolysis	Good
Methanol	n/a
Oil	Fair
Oxidation	Good
Gasoline	Fair
Wear resistance	Excellent
Weather and ozone	Good

#### Dimensional drawings



#### Values specified in this data sheet are tested at (unless otherwise stated):

- Room temperature (20°C [68°F] ± 3°C [5.5°F]).
- Standard atmosphere (101.3 [29.9 inHg] ± 1.0 kPa [0.3 inHg]).
- Relative humidity 20-70%.
- Compressed air quality, DIN ISO 8573-1 class 4.

**Accessories**

04AF | Fitting 5x1/8" NPSF female, 30–40  
B40.20 | Suction cup B40 Silicone  
04AG | Fitting 1/8" NPSF female, 30–40, with mesh filter  
B40.37 | Suction cup B40 HNBR  
04AI | Fitting G1/8" male, 40, with mesh filter  
04CA | Fitting 1/8" NPSF female, 30–40, PA  
04AA | Fitting 1/8" NPSF female, 30–40  
04AD | Fitting G3/8" male, 30–40, with mesh filter  
04AE | Fitting 3/8" NPT male, with mesh filter  
04AB | Fitting G1/4" male, 30–40, with mesh filter  
04AC | Fitting 1/4" NPT male, with mesh filter  
04DB | Fitting G1/4" male, 30–40, with dual flow control valve  
04DC | Fitting 1/4" NPT male, with dual flow control valve  
04DD | Fitting G3/8" male, 30–40, with dual flow control valve  
04DE | Fitting 3/8" NPT male, with dual flow control valve  
04DF | Fitting 5x1/8" NPSF female, 30–40, with dual flow control valve

**Spare parts**

B40.10 | Suction cup B40 Chloroprene  
04DA | Fitting 1/8" NPSF female, 30–40, with dual flow control valve