

Datasheet

Suction cup B40MF Thermoelastic polyurethane, G1/4" male, with mesh filter

Item number: B40MF.40.04AB



- Suction cup of TPU, a mark free material that leaves no trace on the object being handled.
- Suitable for level adjustment.
- Lifting movement to separate small and thin objects.
- Only lightweight objects should be handled when the lifting force is parallel to the surface.

Technical data

Description	Unit	Value
Suction cup shape	-	Bellows
Application	-	Mark Free
Suction cup design	-	Round
Characteristics	-	Mark free
Material	-	TPE
Weight, min.	oz	0.35
Suction cup model	-	B-MF
Volume	in ³	0.92
Height	in	1.69
Outer diameter, min.	in	1.72
Outer diameter, actuated	in	1.87
Fitting size	-	1/4"
Fitting option	-	Filter mesh
Fitting style	-	Male
Fitting type	-	G-thread
Suction cup model	-	B40MF
Movement, vertical max.	in	0.49
Curve radius, min.	in	0.87

Performance - Lifting forces

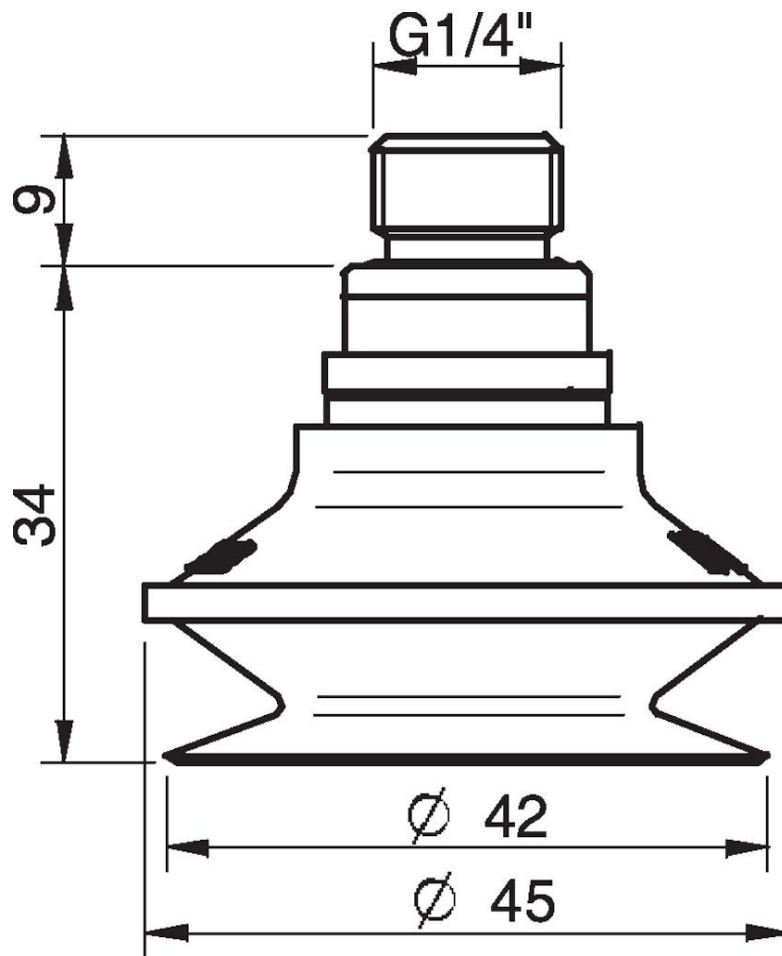
B40MF	Vertical (lb)	Parallel (lb)
5.91 -inHg	4.047	3.057
17.72 -inHg	12.81	8.99
26.58 -inHg	16.19	10.57

Material	
Name	Thermoplastic Polyurethane (TPE-U)
Color	White transparent
Temperature, min. °F	-4.0
Temperature max. °F	176.0
Hardness °Shore A	81

Material resistance

Alcohol	Good
Concentrated acids	Poor
Ethanol	n/a
Hydrolysis	Poor
Methanol	n/a
Oil	Excellent
Oxidation	Good
Gasoline	Poor
Wear resistance	Excellent
Weather and ozone	Excellent

Dimensional drawings



Values specified in this data sheet are tested at (unless otherwise stated):

- Room temperature (20°C [68°F] ± 3°C [5.5°F]).
- Standard atmosphere (101.3 [29.9 inHg] ± 1.0 kPa [0.3 inHg]).
- Relative humidity 20-70%.
- Compressed air quality, DIN ISO 8573-1 class 4.

Accessories

- 04AF | Fitting 5x1/8" NPSF female, 30–40
- 04AG | Fitting 1/8" NPSF female, 30–40, with mesh filter
- 04AA | Fitting 1/8" NPSF female, 30–40
- 04AD | Fitting G3/8" male, 30–40, with mesh filter
- 04AE | Fitting 3/8" NPT male, with mesh filter
- 04AC | Fitting 1/4" NPT male, with mesh filter
- 04DA | Fitting 1/8" NPSF female, 30–40, with dual flow control valve
- 04DB | Fitting G1/4" male, 30–40, with dual flow control valve
- 04DC | Fitting 1/4" NPT male, with dual flow control valve
- 04DD | Fitting G3/8" male, 30–40, with dual flow control valve
- 04DE | Fitting 3/8" NPT male, with dual flow control valve
- 04DF | Fitting 5x1/8" NPSF female, 30–40, with dual flow control valve

Spare parts

- B40MF.40 | Suction cup B40MF Thermoelastic polyurethane
- 04AB | Fitting G1/4" male, 30–40, with mesh filter