

Datasheet

Suction cup B35XP Polyurethane 30/60, G1/8" male with mesh filter

Item number: B35XP.4K.04AI



- Suitable for limited level adjustment with good stability.
- Excellent gripping performance on corrugated and porous or surface leaking objects such as cardboard, textured plastic parts and composite material (raw surface)
- In the two-colored suction cup the bellows and the sealing lip are of different hardnesses, which makes the suction cup strong and stable for accelerations and speed, at the same time, soft and flexible.
- DURAFLEX® suction cups manufactured in a specially developed material that features the elasticity of rubber and wear resistance of polyurethane.
- The material DURAFLEX® is mark free.

Technical data

Description	Unit	Value
Suction cup shape	-	Bellows
Application	-	Corrugated cardboard/Paperboard, Plastic injection molded parts
Suction cup design	-	Round
Characteristics	-	Corrugated / cardboard, Plastic injection molded parts
Material	-	Polyurethane (PU)
Weight, min.	oz	0.23
Suction cup model	-	B-XP
Volume	in ³	0.27
Height	in	1.20
Outer diameter, min.	in	1.46
Fitting size	-	1/8"
Fitting option	-	Filter mesh
Fitting style	-	Male
Fitting type	-	G-thread
Suction cup model	-	B35XP PU30 PU60
Movement, vertical max.	in	0.37
Curve radius, min.	in	0.63

Performance - Lifting forces

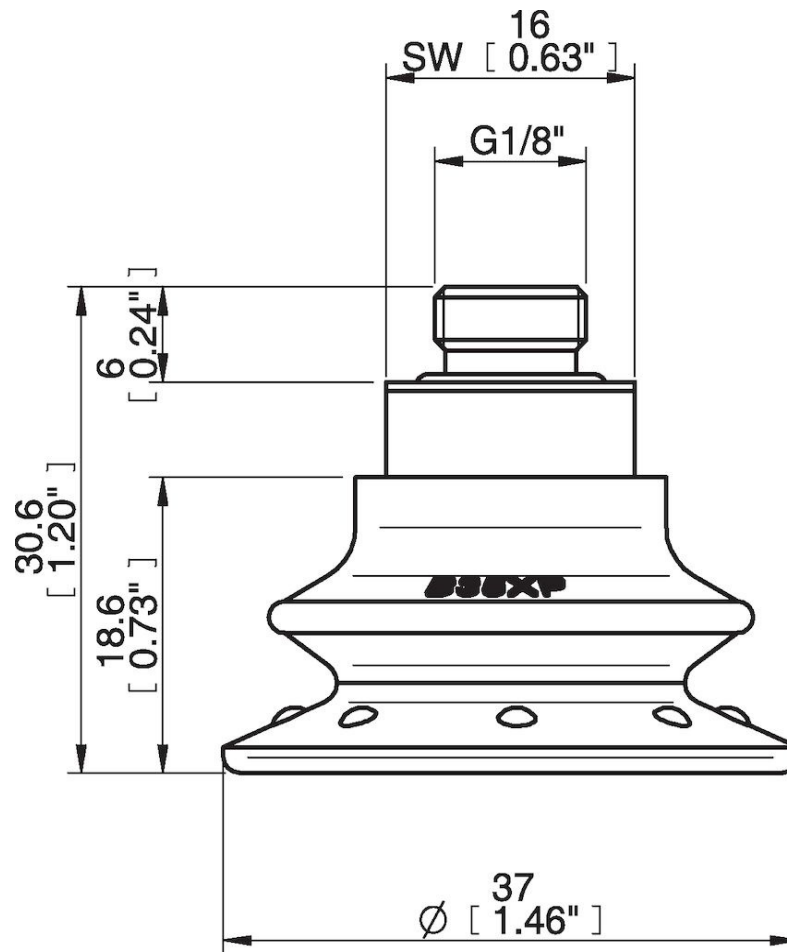
B35XP PU30 PU60	Vertical (lb)	Parallel (lb)
5.91 -inHg	3.82	3.37
17.72 -inHg	8.77	6.74
26.58 -inHg	11.24	8.99

Material		
Name	Polyurethane (PU30)	Polyurethane (PU60)
Color	Yellow	Green transparent
Temperature, min. °F	50.0	50.0
Temperature max. °F	122.0	122.0
Hardness °Shore A	30	60

Material resistance

Alcohol	n/a	n/a
Concentrated acids	Fair	Fair
Ethanol	Fair	Fair
Hydrolysis	Fair	Fair
Methanol	Poor	Poor
Oil	Excellent	Excellent
Oxidation	Poor	Poor
Gasoline	Fair	Fair
Wear resistance	Excellent	Excellent
Weather and ozone	Excellent	Excellent

Dimensional drawings



Values specified in this data sheet are tested at (unless otherwise stated):

- Room temperature (20°C [68°F] ± 3°C [5.5°F]).
- Standard atmosphere (101.3 [29.9 inHg] ± 1.0 kPa [0.3 inHg]).
- Relative humidity 20-70%.
- Compressed air quality, DIN ISO 8573-1 class 4.

Accessories

04AG | Fitting 1/8" NPSF female, 30–40, with mesh filter

04AD | Fitting G3/8" male, 30–40, with mesh filter

04AE | Fitting 3/8" NPT male, with mesh filter

04AB | Fitting G1/4" male, 30–40, with mesh filter

04AC | Fitting 1/4" NPT male, with mesh filter

Spare parts

04AI | Fitting G1/8" male, 40, with mesh filter

B35XP.4K | Suction cup B35XP Polyurethane 30/60