

# Datasheet

## Suction cup B30MF Thermoelastic polyurethane, G3/8" male, with mesh filter

Item number: B30MF.40.04AD



- Suction cup of TPU, a mark free material that leaves no trace on the object being handled.
- Suitable for level adjustment.
- Lifting movement to separate small and thin objects.
- Only lightweight objects should be handled when the lifting force is parallel to the surface.

### Technical data

Description	Unit	Value
Suction cup shape	-	Bellows
Application	-	Mark Free
Suction cup design	-	Round
Characteristics	-	Mark free
Material	-	TPE
Weight, min.	oz	0.25
Suction cup model	-	B-MF
Volume	in <sup>3</sup>	0.61
Height	in	1.65
Outer diameter, min.	in	1.39
Outer diameter, actuated	in	1.54
Fitting size	-	3/8"
Fitting option	-	Filter mesh
Fitting style	-	Male
Fitting type	-	G-thread
Suction cup model	-	B30MF
Movement, vertical max.	in	0.49
Curve radius, min.	in	0.65

### Performance - Lifting forces

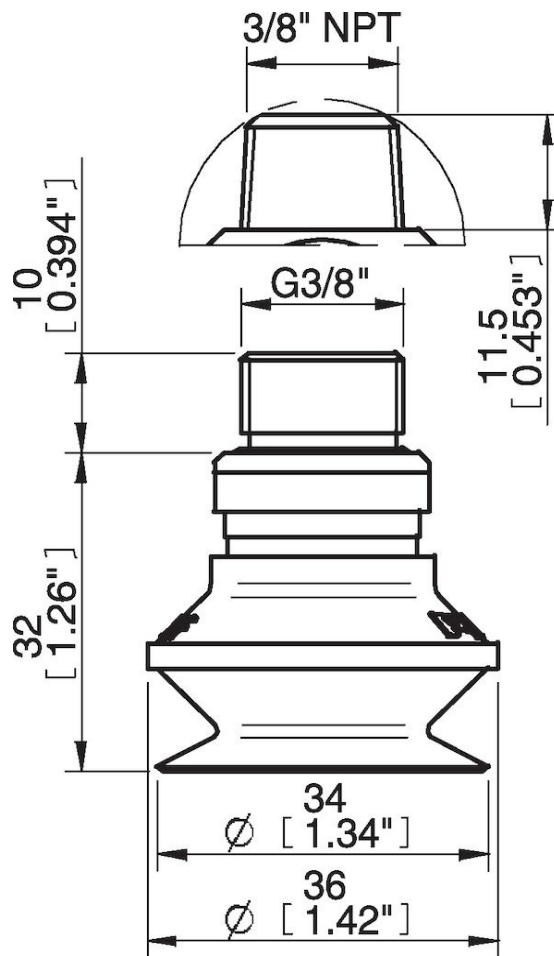
B30MF	Vertical (lb)	Parallel (lb)
5.91 -inHg	2.70	3.26
17.72 -inHg	8.99	7.19
26.58 -inHg	12.25	9.22

Material	
Name	Thermoplastic Polyurethane (TPE-U)
Color	White transparent
Temperature, min.   °F	-4.0
Temperature max.   °F	176.0
Hardness   °Shore A	81

### Material resistance

Alcohol	Good
Concentrated acids	Poor
Ethanol	n/a
Hydrolysis	Poor
Methanol	n/a
Oil	Excellent
Oxidation	Good
Gasoline	Poor
Wear resistance	Excellent
Weather and ozone	Excellent

### Dimensional drawings



### Values specified in this data sheet are tested at (unless otherwise stated):

- Room temperature (20°C [68°F] ± 3°C [5.5°F]).
- Standard atmosphere (101.3 [29.9 inHg] ± 1.0 kPa [0.3 inHg]).
- Relative humidity 20-70%.
- Compressed air quality, DIN ISO 8573-1 class 4.

**Accessories**

- 04AF | Fitting 5x1/8" NPSF female, 30–40
- 04AG | Fitting 1/8" NPSF female, 30–40, with mesh filter
- 04AA | Fitting 1/8" NPSF female, 30–40
- 04AE | Fitting 3/8" NPT male, with mesh filter
- 04AB | Fitting G1/4" male, 30–40, with mesh filter
- 04AC | Fitting 1/4" NPT male, with mesh filter
- 04DA | Fitting 1/8" NPSF female, 30–40, with dual flow control valve
- 04DB | Fitting G1/4" male, 30–40, with dual flow control valve
- 04DC | Fitting 1/4" NPT male, with dual flow control valve
- 04DD | Fitting G3/8" male, 30–40, with dual flow control valve
- 04DE | Fitting 3/8" NPT male, with dual flow control valve
- 04DF | Fitting 5x1/8" NPSF female, 30–40, with dual flow control valve

**Spare parts**

- B30MF.40 | Suction cup B30MF Thermoelastic polyurethane
- 04AD | Fitting G3/8" male, 30–40, with mesh filter